

Product Specifications

Customer	
Model Name	NTWP070-3 V613
Model Number	NTWP070H<u>X3XX</u>-SI<u>XXXXXX</u>-<u>XX</u>02-613 *

* X = A-Z, 0-9 (Varies by options)



Records of Revision			
Vision	Modifying	Old Description	New Description
v2606.1	Initial release		

Key Features

- ★ 7 inch Industrial LCD Panel, 800x480 Resolution
- ★ 1500nits high brightness
- ★ Wide viewing angle 176°/176°
- ★ Wide-temperature LCD panel, operating temperature -30-80°C
- ★ Intel® 13th Generation Core i Series CPU
- ★ DDR4 8G RAM, Max to 32G
- ★ GbE LAN Port x2
- ★ 128G SSD, Max to 1T
- ★ USB 3.0 x6
- ★ Narrow-bezel true-flat PCAP touch screen
- ★ 7H Hardness tempered cover glass
- ★ 10-point multi-touch , supports Nextech stylus
- ★ Metal housing with multiple mounting options
- ★ Made in Taiwan, 3-year warranty, designed for harsh environments
- ★ Optional Privacy filter or antimicrobial surface treatment



PSE



BSMI



RoHS



CE



ISO9001



FCC



Desktop Stand



Wall Mounting



Open-frame Brackets



Panel Mount

System Specifications

CPU	Intel® Core i U Series Processor
Memory	DDR4 SO-DIMM, Max. Capacity 32G
Network	2 * Intel® GbE LAN Chip (10/100/1000 Mbps, RJ45)
Storage	SATA3.0 7P Connector (With 1 * SATA Power Wafer)x1 M.2 Key-M Slot (PCIe x4/ SATA, Default PCIE 4x, Support PCIe x4 NVMe, 2280) x1
Sound Chip	Realtek Audio HAD Codec
Rear I/O	HDMI x1, DP x1 RJ45 LAN Ports x2 USB 3.0 x6 Line-Out + MIC 2in1 3.5mm Jack x1
Power Input	12VDC-in

Display Specifications

Screen Diagonal	117.8 mm (7.0 inch)	Display Mode	Normally Black
Active Area	152.4x91.44 mm	Backlight Unit	White LED
Resolution	800x480	Viewing Angle (L/R, U/D)	178°/178° (CR≥10)
Contrast Ratio	1000:1	Backlight Lifetime	>100,000 Hours
Colors	16.7M Colors	Operating Temp.	-30~80°C
Pixel Pitch	0.1905x0.1905 mm	Storage Temp.	-40~90°C
Response Time	25 msec.	Brightness	1500 nits

Touch Options

Configuration	Specification	Ordering Information
Standard	Projected Capacitive Touch	NTWP070HP3XX-SIXXXXX-XX02-613
Optional	No touch	NTWP070H03XX-SIXXXXX-XX02-613

PCAP Touch Specifications

Allowed Touch Points	10 points	Thickness of Cover Lens	2.0±0.2mm
Transparency	≥87%	Hardness of Cover Lens	7H
Accuracy	99.00%	IK Ratings	IK07

Surface Treatment Options

Surface Treatment Options		
Configuration	Specification	Ordering Information
Standard	Glare Type	NTWP070HX300-SIXXXXX-XX02-613
Optional	Anti-Glare & UV-resistant Coating	NTWP070HX3GG-SIXXXXX-XX02-613
Optional	Antibacterial (AB Film)	NTWP070HX3AB-SIXXXXX-XX02-613
Optional	Privacy filter (AS Film)	NTWP070HX3SF-SIXXXXX-XX02-613

System Options

CPU		
Configuration	Specification	Ordering Information
Standard	Core i3-1315U	NTWP070HX3XX-SI31XXX-XX02-613
Optional	Core i5-1335U	NTWP070HX3XX-SI 51 XXX-XX02-613
Optional	Core i7-1355U	NTWP070HX3XX-SI 71 XXX-XX02-613

Memory		
Configuration	Specification	Ordering Information
Standard	DDR4 SO-DIMM 8G	NTWP070HX3XX-SIXX8XX-XX02-613
Optional	DDR4 SO-DIMM 16G	NTWP070HX3XX-SIXX A XXX-XX02-613
Optional	DDR4 SO-DIMM 32G	NTWP070HX3XX-SIXX B XXX-XX02-613

Storage		
Configuration	Specification	Ordering Information
Standard	SSD 128G	NTWP070HX3XX-SIXXXS1-XX02-613
Option 1	SSD 256G	NTWP070HX3XX-SIXXX S2 -XX02-613
Option 2	SSD 512G	NTWP070HX3XX-SIXXX S3 -XX02-613
Option 3	SSD 1TB	NTWP070HX3XX-SIXXX S4 -XX02-613

Housing Options

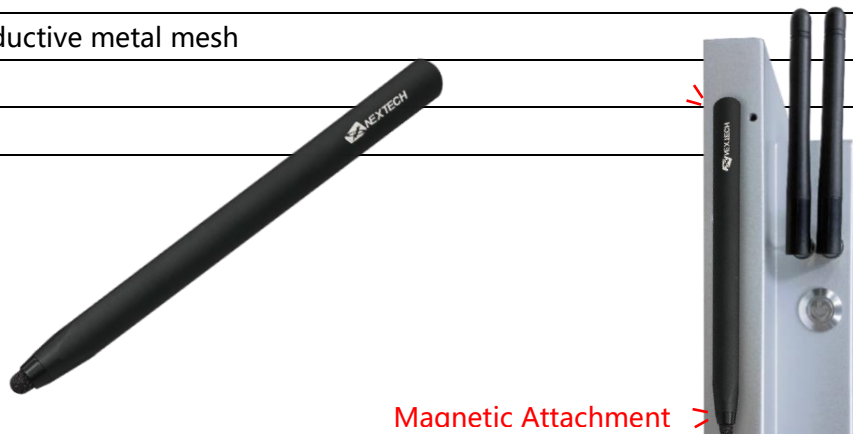
Housing Material		
Configuration	Specification	Ordering Information
Standard	SECC	NTWP070HX3XX-SIXXXXXX-<u>SX</u>02-613
Optional	Stainless Steel	NTWP070HX3XX-SIXXXXXX- <u>LX</u> 02-613
Optional	Aluminum	NTWP070HX3XX-SIXXXXXX- <u>AX</u> 02-613

Color of Cabinet		
Configuration	Specification	Ordering Information
Standard	Silver	NTWP070HX3XX-SIXXXXXX-<u>XS</u>02-613
Optional	White	NTWP070HX3XX-SIXXXXXX- <u>XW</u> 02-613
Optional	Black	NTWP070HX3XX-SIXXXXXX- <u>XB</u> 02-613
Optional	Custom Color	NTWP070HX3XX-SIXXXXXX- <u>XX</u> 02-613

* X = A~Z, 0~9 (Varies by Color)

Nextech Stylus Option

Tip	Passive conductive metal mesh
Tip Diameter	6mm
Magnetic Attachment	Yes



Magnetic Attachment >

Optional Mounting Accessories

	Accessories	Description
Optional	Desktop stand	For desktop use
Optional	Panel mount kit	For front mounting into kiosks, cabinets, or equipment panels.
Optional	Open-frame brackets	For rear mounting installation inside kiosks, cabinets, or equipment panels.
Optional	Wall Mount Bracket	For wall mounting

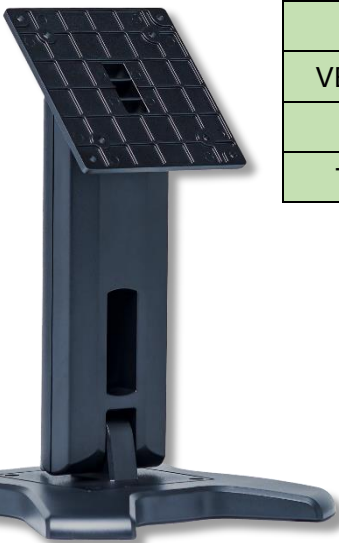
Desktop Stand Type L (Optional)



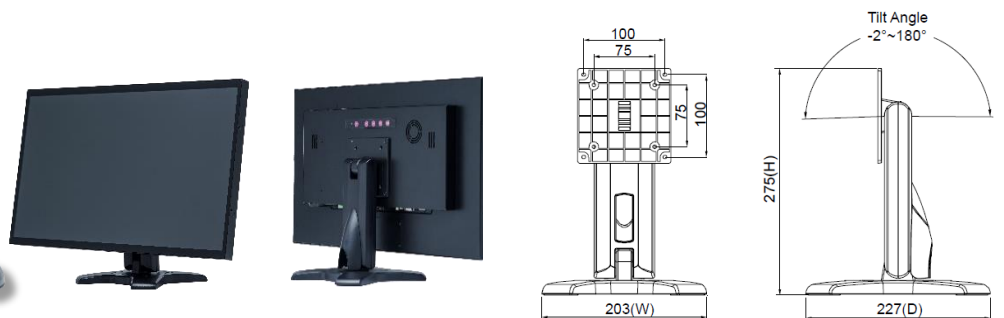
Item	L Stand	Model	DST-0B004/DST-1B004
VESA Mount	100x100 / 75x75 mm	Dimensions	194x194x222 mm
Material	SECC	Net Weight	1.4 kg
Tilt Angle	105°	Load Capacity	15 kg



Desktop Stand Type B (Optional)



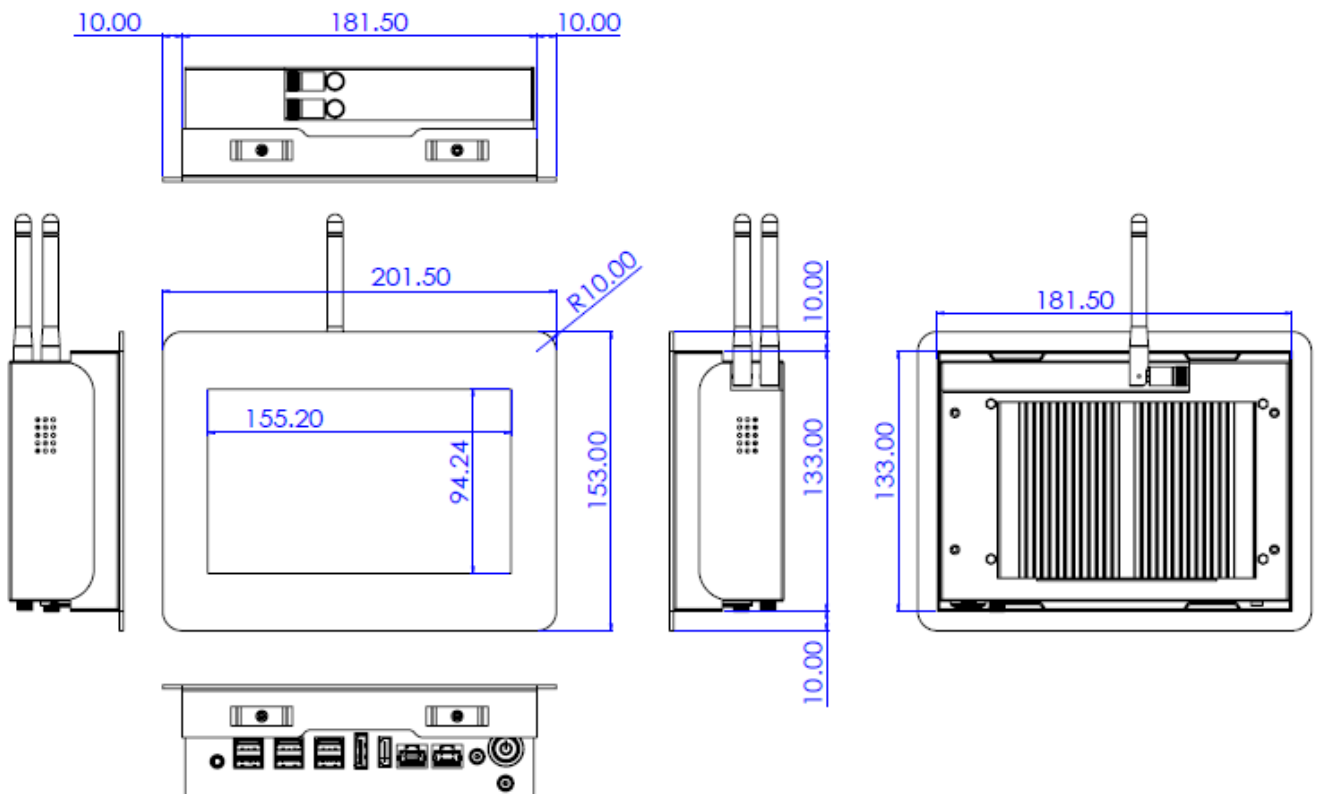
Item	B Stand	Model	DST-0B002/DST-1B002
VESA Mount	100x100 / 75x75 mm	Dimensions	203x275x227 mm
Material	Steel/Plastic/Aluminum	Net Weight	1.8 kg
Tilt Angle	-2° ~ +180°	Load Capacity	15 kg



Panel Mount Kits (Option)

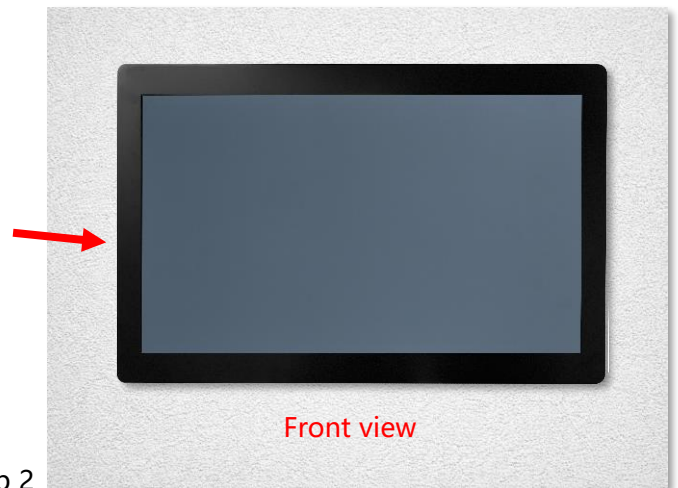
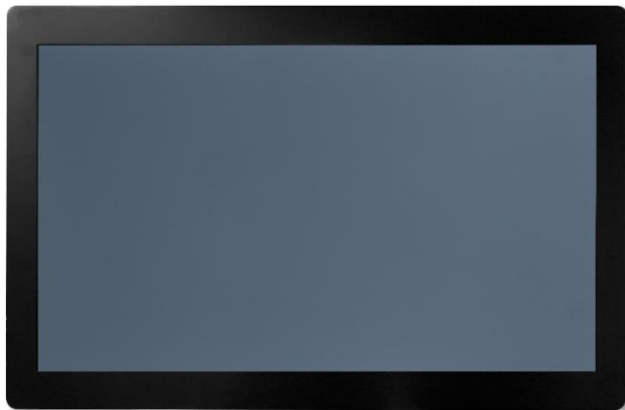
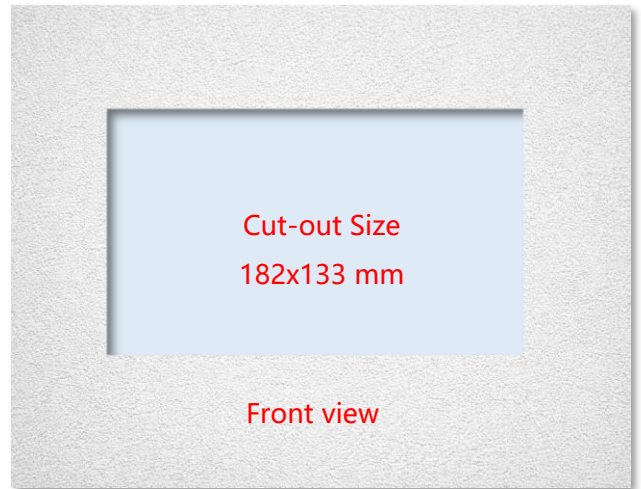


Panel Mount Installation Dimensions

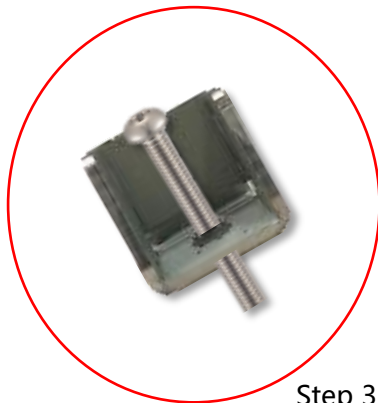




Step 1
Assemble the front module with the display unit.
(This step is pre-assembled at Nextech's factory.)



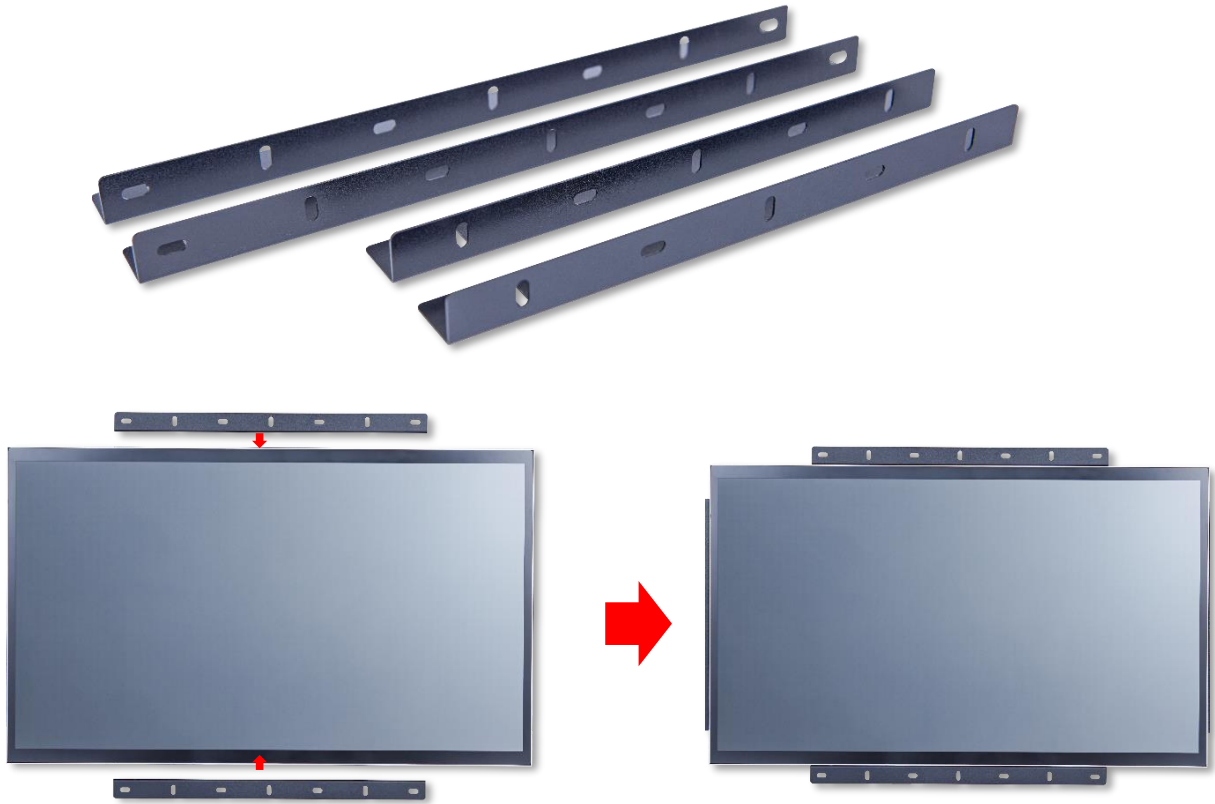
Step 2
Insert the display into the cut-out from the front.



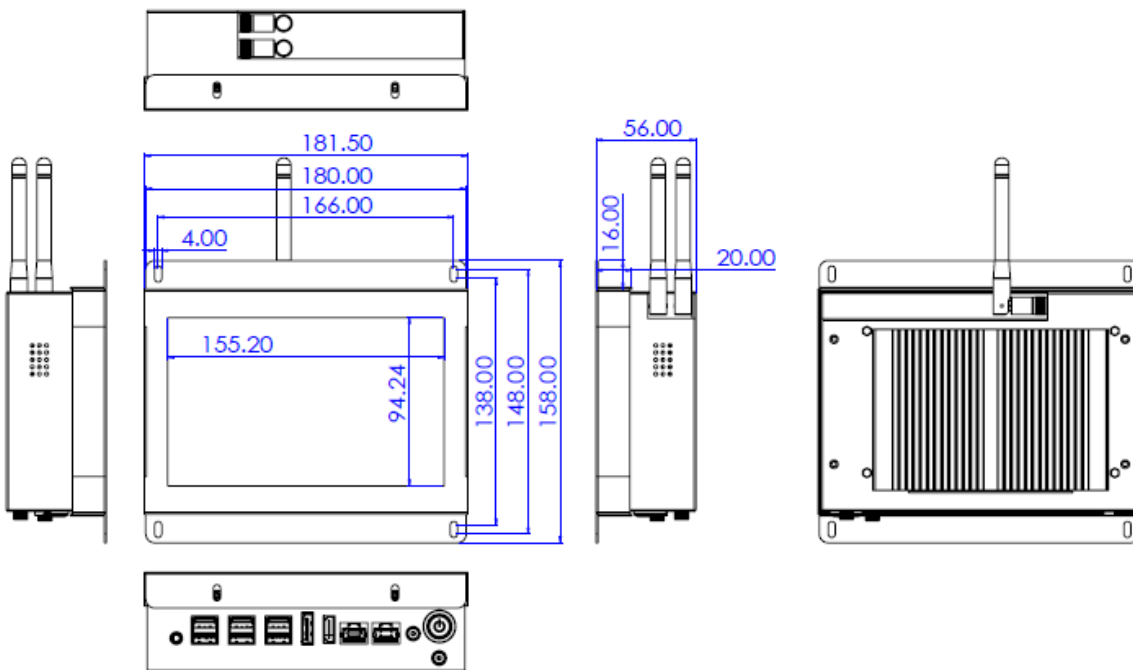
Step 3
Install the mounting clips from the rear side and secure them with screws.



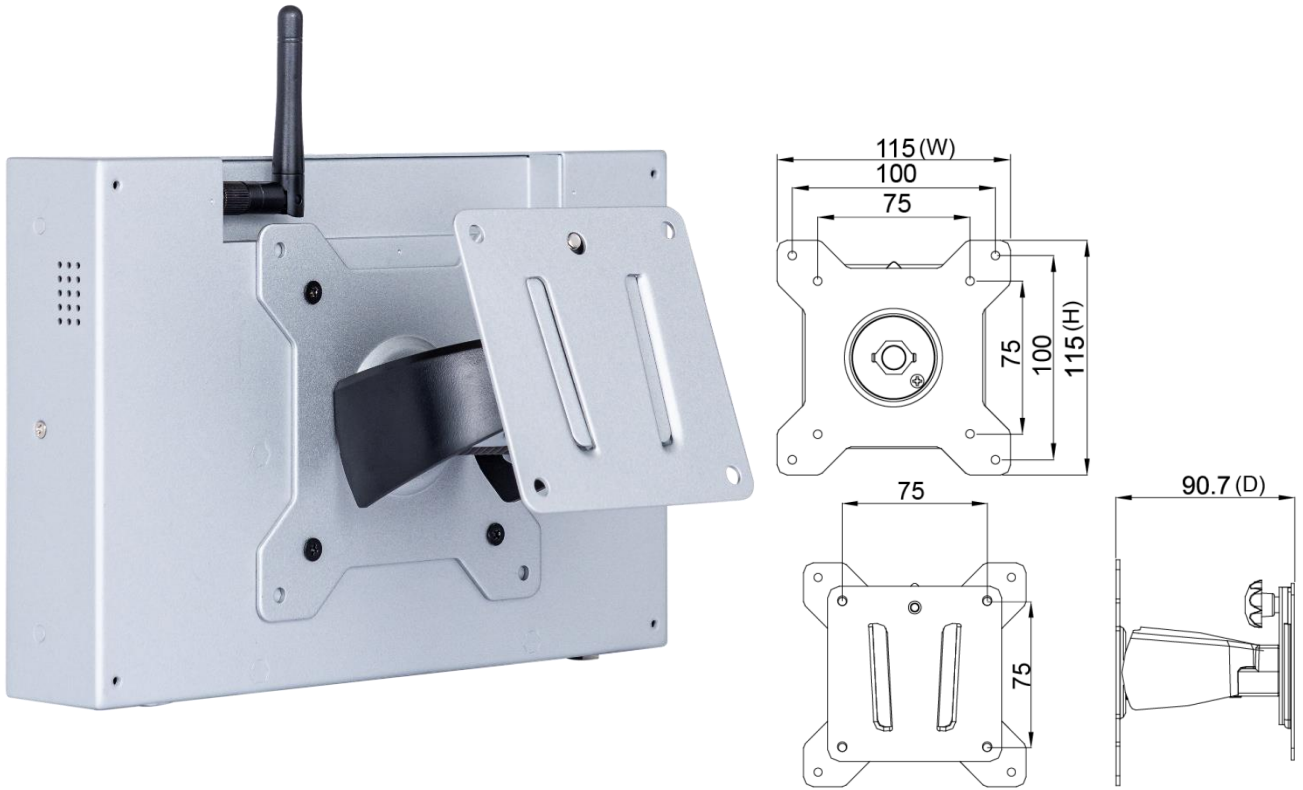
Open-frame Brackets (Optional)



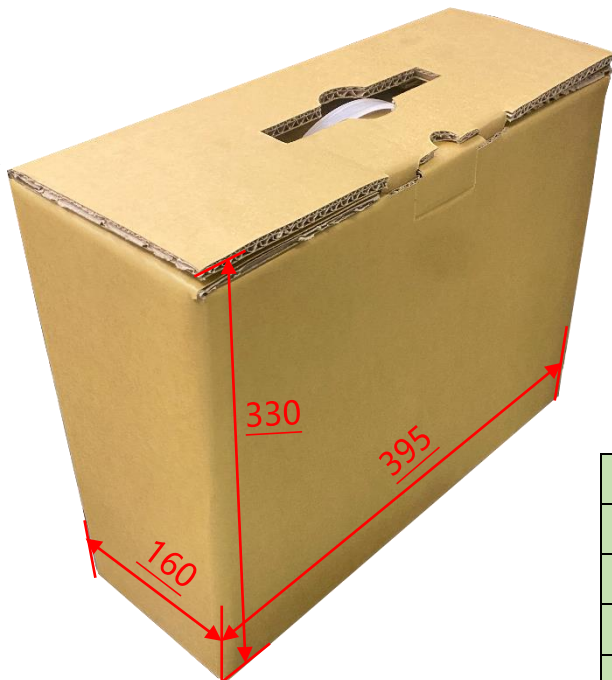
Open-frame Bracket Installation Dimensions



Wall Mount Bracket (Optional)

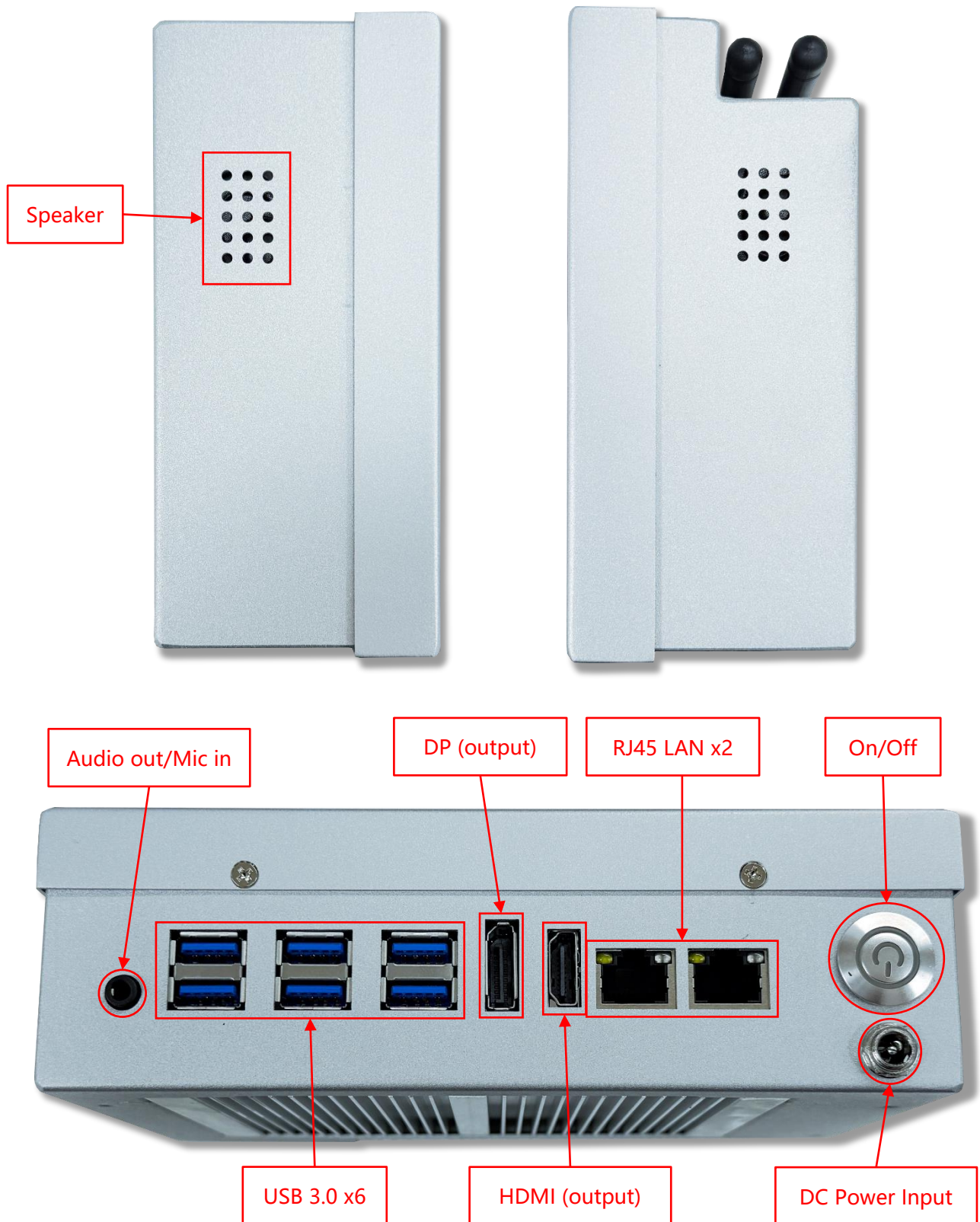


Packing Information



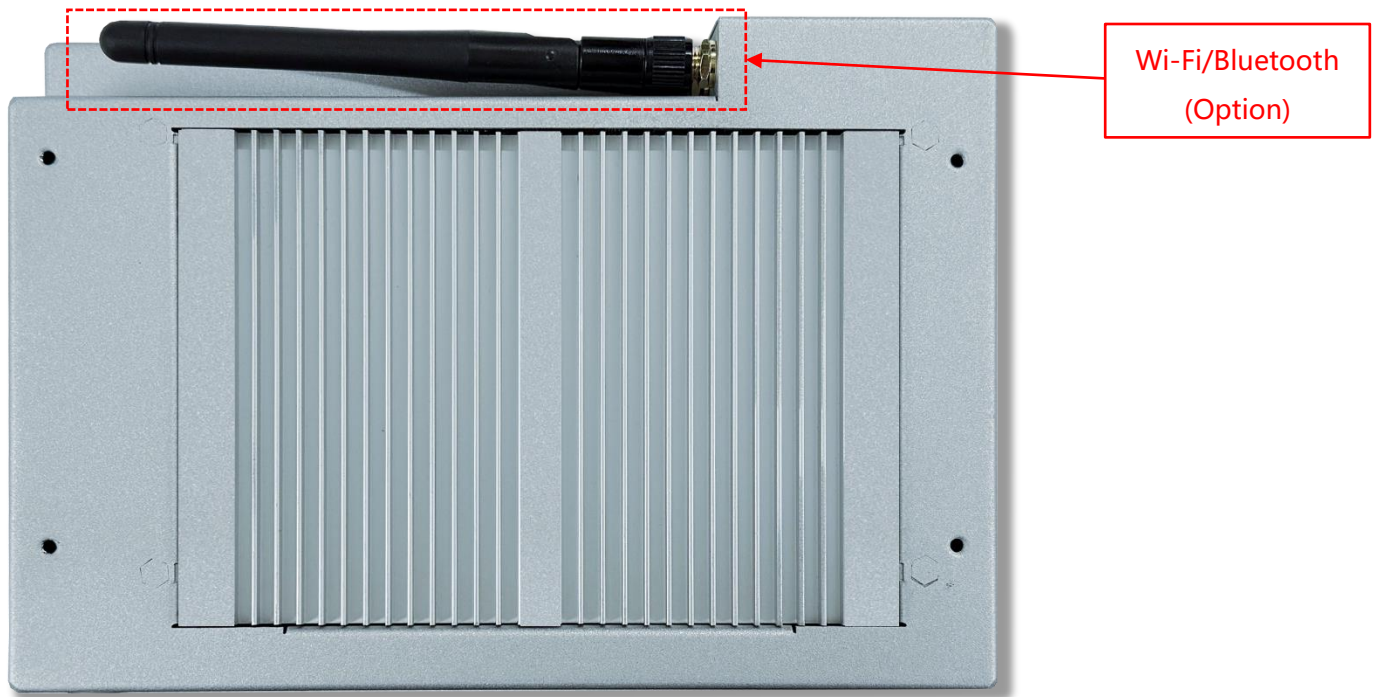
Carton Dimensions	395x160x330 mm
Net Weight	≤1.3 kg
Gross Weight	≤2.4 kg
Units per Pallet	72 units
Pallet Size	120x100x142 cm

Input /Output System



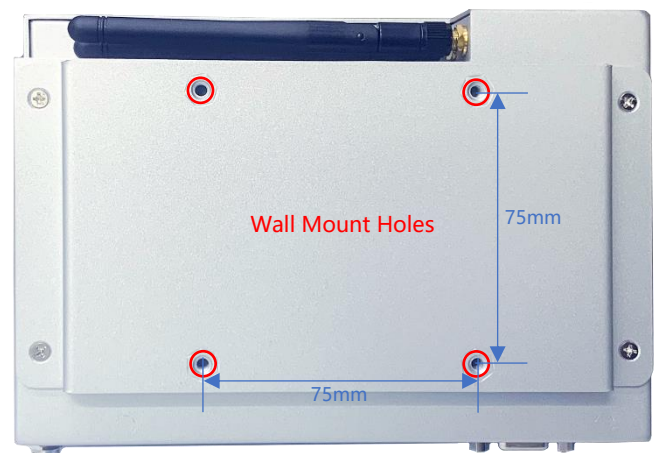
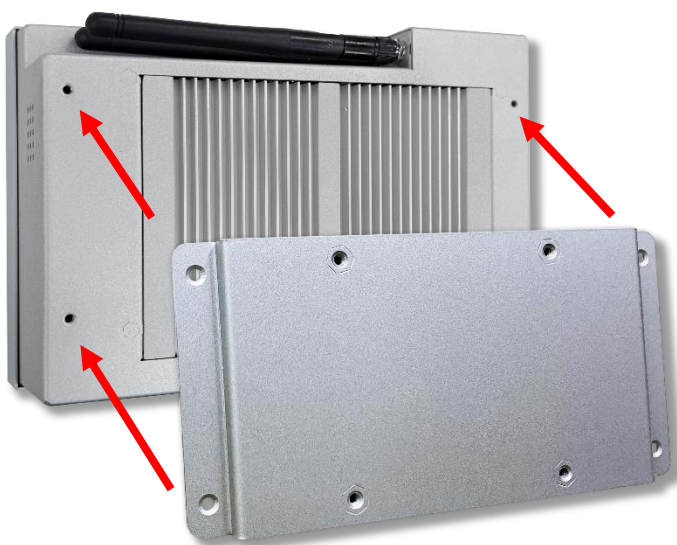
Nextech WP Series 7" Industrial All-in-one Touch PC

NTWP070 V613



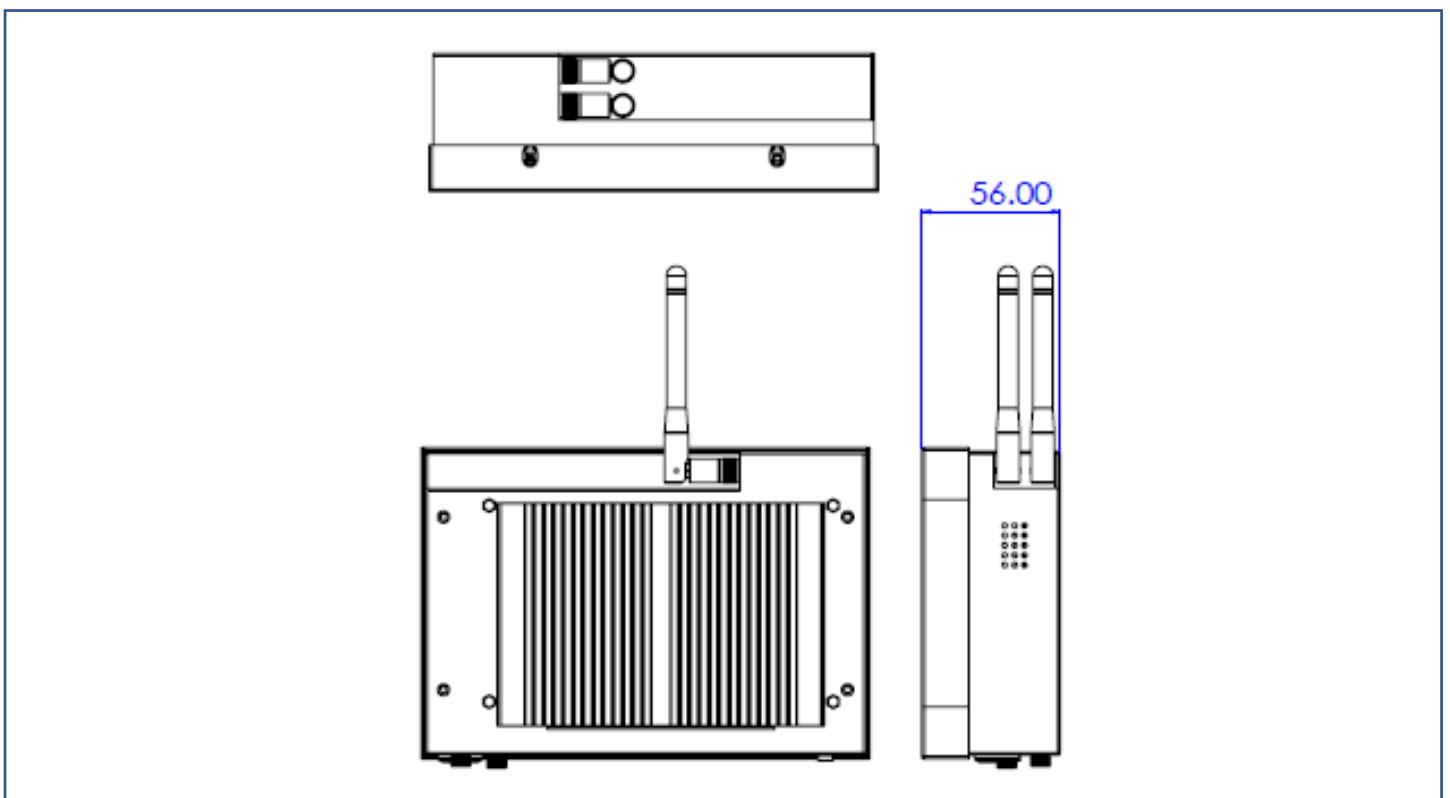
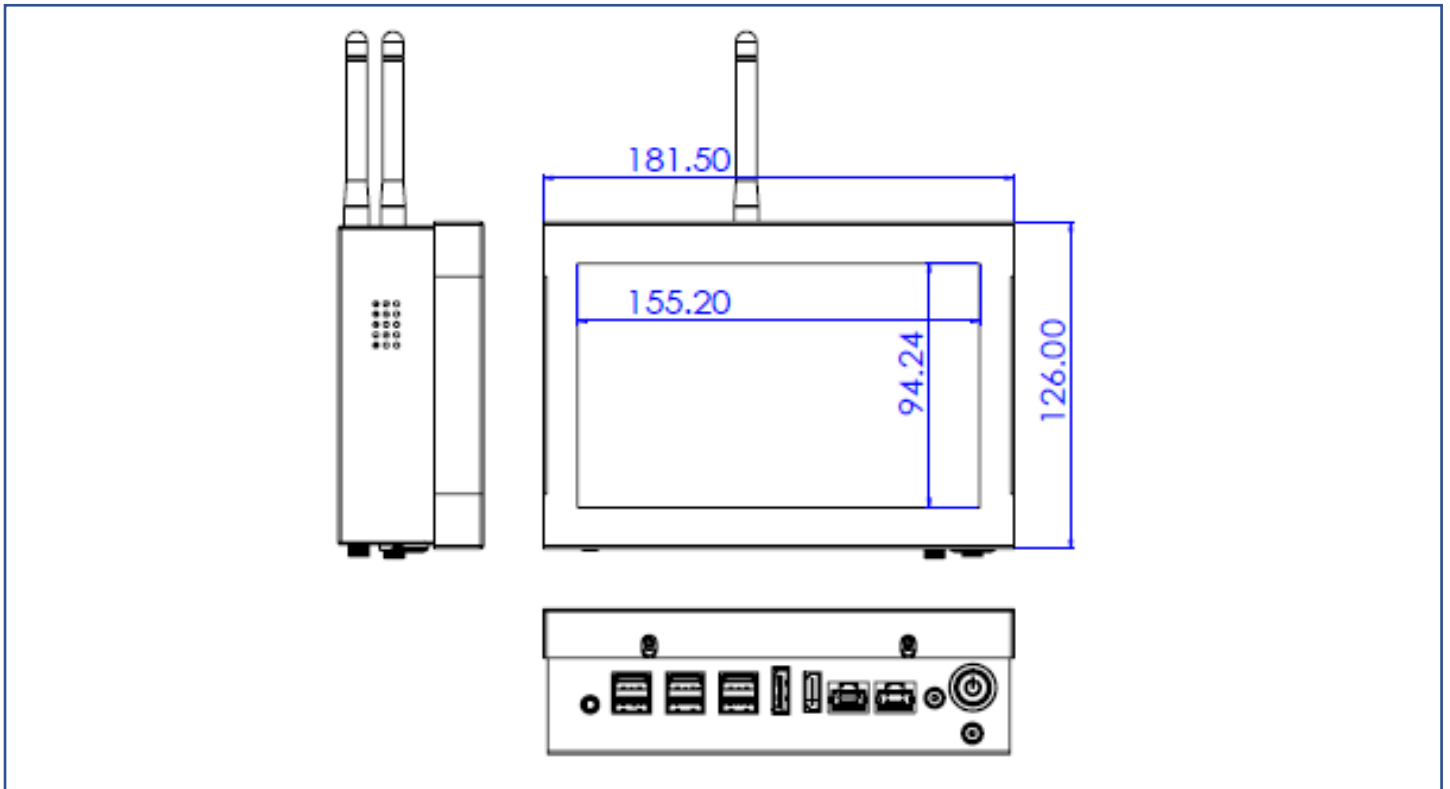
Input / Output	Connectors	Input / Output	Connectors
HDMI (Output)	1	Audio Output /Mic Input (3.5mm)	1
DP (Output)	1	Speakers	1W x2
USB 3.0	6	DC Power Input	1
LAN (RJ45)	2	Speakers	Optional

Mounting Plate



Physical Specifications

Dimensions (Max.)	181.5x126x56(±2)mm	Net Weight	≤1.3 kg
VESA Mount	75x75 mm	Gross Weight	≤2.4 kg



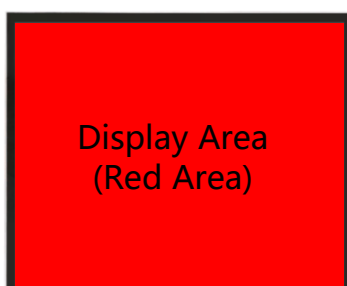
Cosmetic Inspection Criteria

Display Area Defect Criteria			
Defect Description	Defect Criteria	Acceptance	Remarks
Dot Defects (dark dot, particles, bubbles, pits, dust, and foreign matter)	$D \leq 0.2\text{mm}$	Ignored	D=Diameter
	$0.2 < D \leq 0.7\text{mm}$	$N \leq 5$	N=Quantity
	$0.7 < D \leq 1\text{mm}$	$N \leq 3$	
	$D > 1\text{mm}$	$N \leq 0$	
Linear Defect (scratches, fluff, particles)	$W \leq 0.15\text{mm}$	Ignored	W=Width
	$0.15 < W \leq 0.5\text{mm}, L \leq 15\text{mm}$	$N \leq 2$	L=Length
	$W > 0.5\text{mm}$ or $L > 15\text{mm}$	NG	

* Visual inspection condition: 60 cm viewing distance, 90° viewing angle (front/side/back).

Front Appearance Defect Criteria (Including Coating)			
Defect Description	Defect Criteria	Acceptance	Remarks
Dot Defects (dark dot, particles, bubbles, pits, dust, and foreign matter)	$D \leq 0.7\text{mm}$	Ignored	D=Diameter
	$0.7 < D \leq 1.5\text{mm}$	$N \leq 3$	N=Quantity
	$D > 1.5\text{mm}$	$N \leq 0$	
Linear Defect (scratches, fluff, particles)	$W \leq 0.2\text{mm}, L \leq 15\text{mm}$	Ignored	W=Width, L=Length
	$0.2 < W \leq 0.7\text{mm}, L \leq 15\text{mm}$	$N \leq 1$	
	$W > 0.7\text{mm}$ or $L > 15\text{mm}$	NG	

Side / Back Appearance Defect Criteria (Including Coating)			
Defect Description	Defect Criteria	Acceptance	Remarks
Dot Defects (dark dot, particles, bubbles, pits, dust, and foreign matter)	$D \leq 1.5\text{mm}$	Ignored	D=Diameter
	$1.5 < D \leq 3\text{mm}$	$N \leq 8$	N=Quantity
	$D > 3\text{mm}$	$N \leq 2$	
Linear Defect (including scratches, fluff, particles)	$W \leq 0.8\text{mm}, L \leq 15\text{mm}$	Ignored	W=Width, L=Length
	$0.8 < W \leq 1.5\text{mm}, L \leq 15\text{mm}$	$N \leq 5$	
	$W > 1.5\text{mm}$ or $L > 15\text{mm}$	NG	



Display Area
(Red Area)



Front Appearance (Red Area)



Back Appearance