

Product Specifications

Customer	
Model Name	NTWP070-2 V613
Model Number	NTWP070H<u>X2XX</u>-SI<u>XXXXXX</u>-<u>XX</u>02-613 *

* X = A-Z, 0-9 (Varies by options)



Records of Revision			
Vision	Modifying	Old Description	New Description
v2606.1	Initial release		

Key Features

- ★ 7 inch Industrial LCD Panel, 800x480 Resolution
- ★ 1000nits high brightness
- ★ Wide viewing angle 178°/178°
- ★ Wide-temperature LCD panel, operating temperature -30-85°C
- ★ Intel® 13th Generation Core i Series CPU
- ★ DDR4 8G RAM, Max to 32G
- ★ GbE LAN Port x2
- ★ 128G SSD, Max to 1T
- ★ USB 3.0 x6
- ★ Narrow-bezel true-flat PCAP touch screen
- ★ 7H Hardness tempered cover glass
- ★ 10-point multi-touch , supports Nextech stylus
- ★ Metal housing with multiple mounting options
- ★ Made in Taiwan, 3-year warranty, designed for harsh environments
- ★ Optional Privacy filter or antimicrobial surface treatment



PSE



BSMI



RoHS



CE



ISO9001



FCC



Desktop Stand



Wall Mounting



Open-frame Brackets



Panel Mount

System Specifications

CPU	Intel® Core i U Series Processor
Memory	DDR4 SO-DIMM, Max. Capacity 32G
Network	2 * Intel® GbE LAN Chip (10/100/1000 Mbps, RJ45)
Storage	SATA3.0 7P Connector (With 1 * SATA Power Wafer)x1 M.2 Key-M Slot (PCIe x4/ SATA, Default PCIE 4x, Support PCIe x4 NVMe, 2280) x1
Sound Chip	Realtek Audio HAD Codec
Rear I/O	HDMI x1, DP x1 RJ45 LAN Ports x2 USB 3.0 x6 Line-Out + MIC 2in1 3.5mm Jack x1
Power Input	12VDC-in

Display Specifications

Screen Diagonal	117.8 mm (7.0 inch)	Display Mode	Normally Black
Active Area	152.4x91.44 mm	Backlight Unit	White LED
Resolution	800x480	Viewing Angle (L/R, U/D)	178°/178° (CR≥10)
Contrast Ratio	800:1	Backlight Lifetime	>50,000 Hours
Colors	16.7M Colors	Operating Temp.	-30~85°C
Pixel Pitch	0.1905x0.1905 mm	Storage Temp.	-30~80°C
Response Time	25 msec.	Brightness	1000 nits

Touch Options

Configuration	Specification	Ordering Information
Standard	Projected Capacitive Touch	NTWP070HP2XX-SIXXXXX-XX02-613
Optional	No touch	NTWP070H02XX-SIXXXXX-XX02-613

PCAP Touch Specifications

Allowed Touch Points	10 points	Thickness of Cover Lens	2.0±0.2mm
Transparency	≥87%	Hardness of Cover Lens	7H
Accuracy	99.00%	IK Ratings	IK07

Surface Treatment Options

Surface Treatment Options		
Configuration	Specification	Ordering Information
Standard	Glare Type	NTWP070HX200-SIXXXXX-XX02-613
Optional	Anti-Glare & UV-resistant Coating	NTWP070HX2GG-SIXXXXX-XX02-613
Optional	Antibacterial (AB Film)	NTWP070HX2AB-SIXXXXX-XX02-613
Optional	Privacy filter (AS Film)	NTWP070HX2SF-SIXXXXX-XX02-613

System Options

CPU		
Configuration	Specification	Ordering Information
Standard	Core i3-1315U	NTWP070HX2XX-SI31XXX-XX02-613
Optional	Core i5-1335U	NTWP070HX2XX-SI 51 XXX-XX02-613
Optional	Core i7-1355U	NTWP070HX2XX-SI 71 XXX-XX02-613

Memory		
Configuration	Specification	Ordering Information
Standard	DDR4 SO-DIMM 8G	NTWP070HX2XX-SIXX8XX-XX02-613
Optional	DDR4 SO-DIMM 16G	NTWP070HX2XX-SIXX A XXX-XX02-613
Optional	DDR4 SO-DIMM 32G	NTWP070HX2XX-SIXX B XXX-XX02-613

Storage		
Configuration	Specification	Ordering Information
Standard	SSD 128G	NTWP070HX2XX-SIXXXS1-XX02-613
Option 1	SSD 256G	NTWP070HX2XX-SIXXX S2 -XX02-613
Option 2	SSD 512G	NTWP070HX2XX-SIXXX S3 -XX02-613
Option 3	SSD 1TB	NTWP070HX2XX-SIXXX S4 -XX02-613

Housing Options

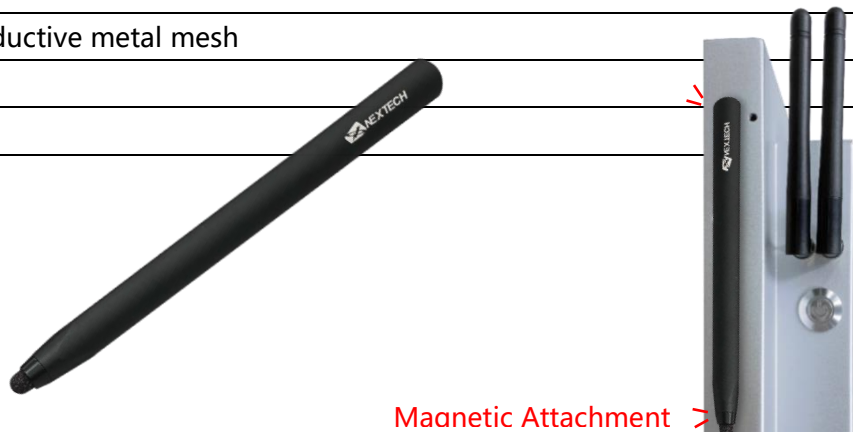
Housing Material		
Configuration	Specification	Ordering Information
Standard	SECC	NTWP070HX2XX-SIXXXXXX-<u>S</u>X02-613
Optional	Stainless Steel	NTWP070HX2XX-SIXXXXXX- <u>L</u> X02-613
Optional	Aluminum	NTWP070HX2XX-SIXXXXXX- <u>A</u> X02-613

Housing Color		
Configuration	Specification	Ordering Information
Standard	Silver	NTWP070HX2XX-SIXXXXXX-<u>X</u>S02-613
Optional	White	NTWP070HX2XX-SIXXXXXX- <u>X</u> W02-613
Optional	Black	NTWP070HX2XX-SIXXXXXX- <u>X</u> B02-613
Optional	Custom Color	NTWP070HX2XX-SIXXXXXX- <u>X</u> X02-613 *

* X = A~Z, 0~9 (Varies by Color)

Nextech Stylus Option

Tip	Passive conductive metal mesh
Tip Diameter	6mm
Magnetic Attachment	Yes



Optional Mounting Accessories

	Accessories	Description
Optional	Desktop stand	For desktop use
Optional	Panel mount kit	For front mounting into kiosks, cabinets, or equipment panels.
Optional	Open-frame brackets	For rear mounting installation inside kiosks, cabinets, or equipment panels.
Optional	Wall Mount Bracket	For wall mounting

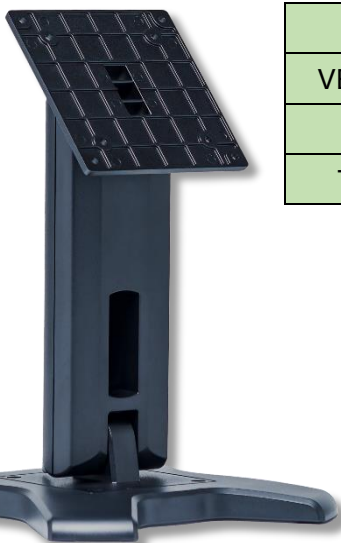
Desktop Stand Type L (Optional)



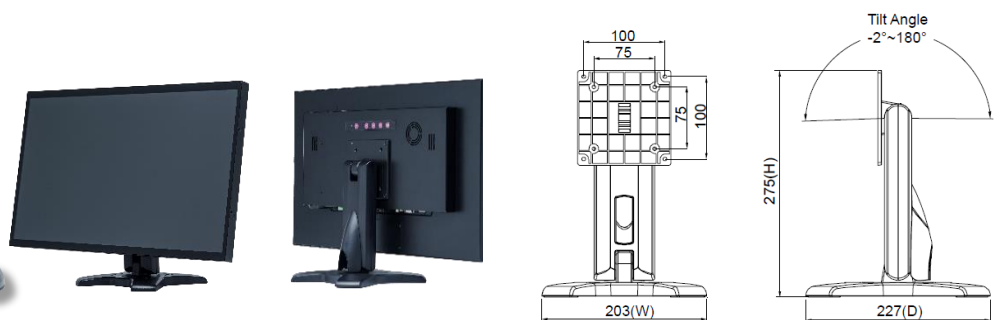
Item	L Stand	Model	DST-0B004/DST-1B004
VESA Mount	100x100 / 75x75 mm	Dimensions	194x194x222 mm
Material	SECC	Net Weight	1.4 kg
Tilt Angle	105°	Load Capacity	15 kg



Desktop Stand Type B (Optional)



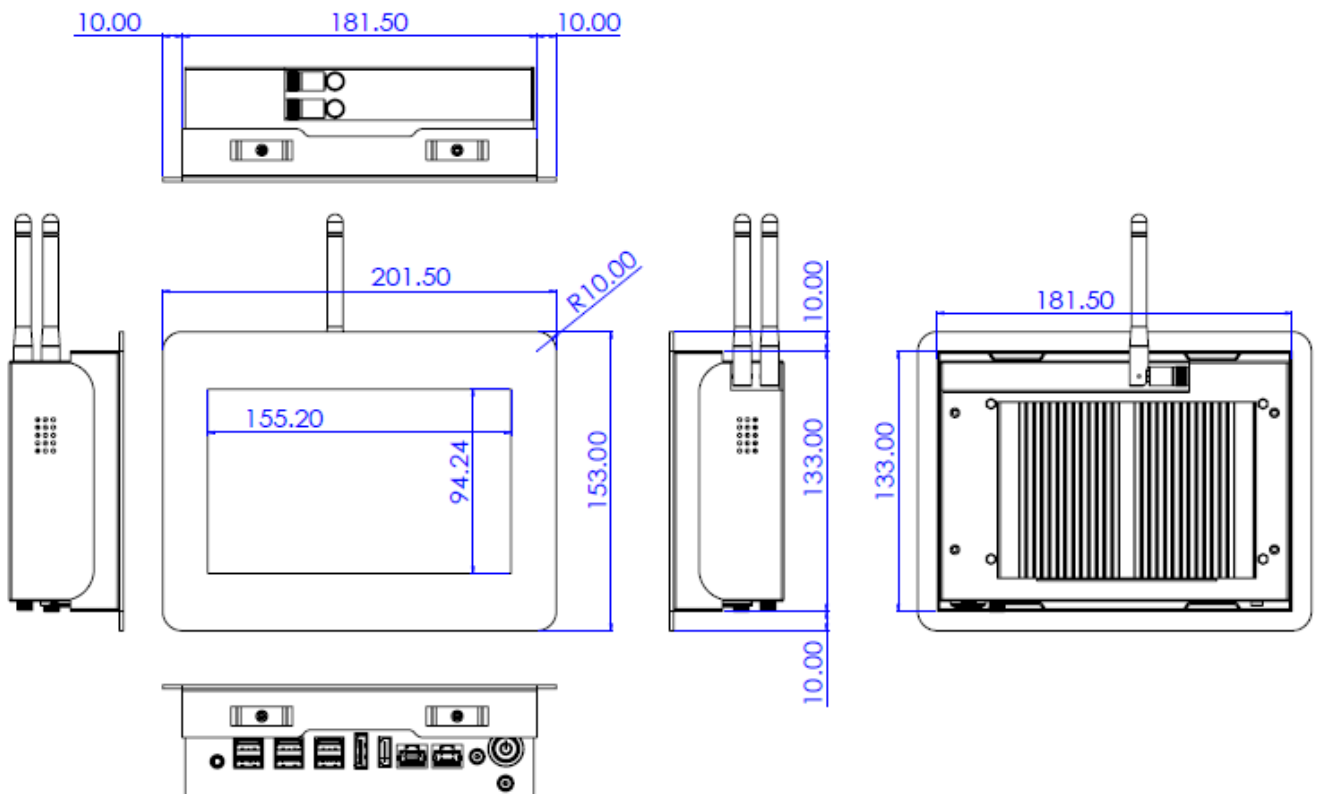
Item	B Stand	Model	DST-0B002/DST-1B002
VESA Mount	100x100 / 75x75 mm	Dimensions	203x275x227 mm
Material	Steel/Plastic/Aluminum	Net Weight	1.8 kg
Tilt Angle	-2° ~ +180°	Load Capacity	15 kg



Panel Mount Kits (Option)

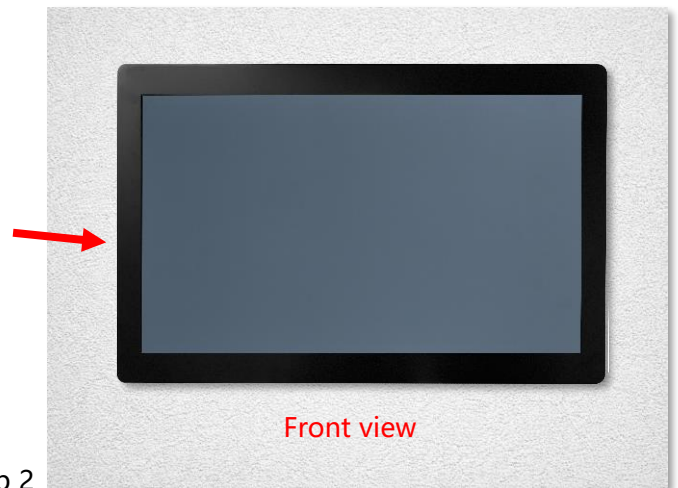
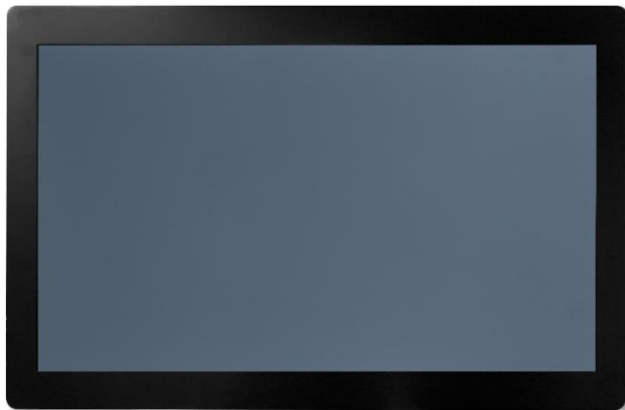
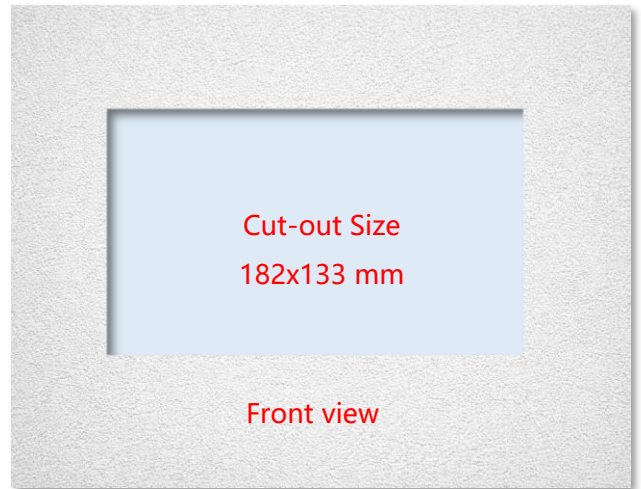


Panel Mount Installation Dimensions

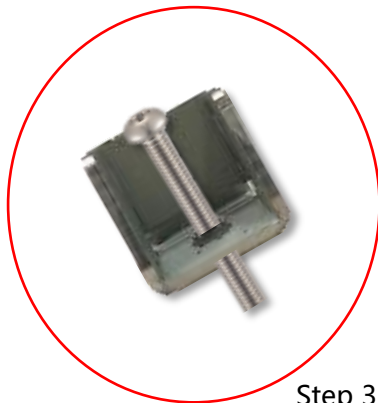




Step 1
Assemble the front module with the display unit.
(This step is pre-assembled at Nextech's factory.)



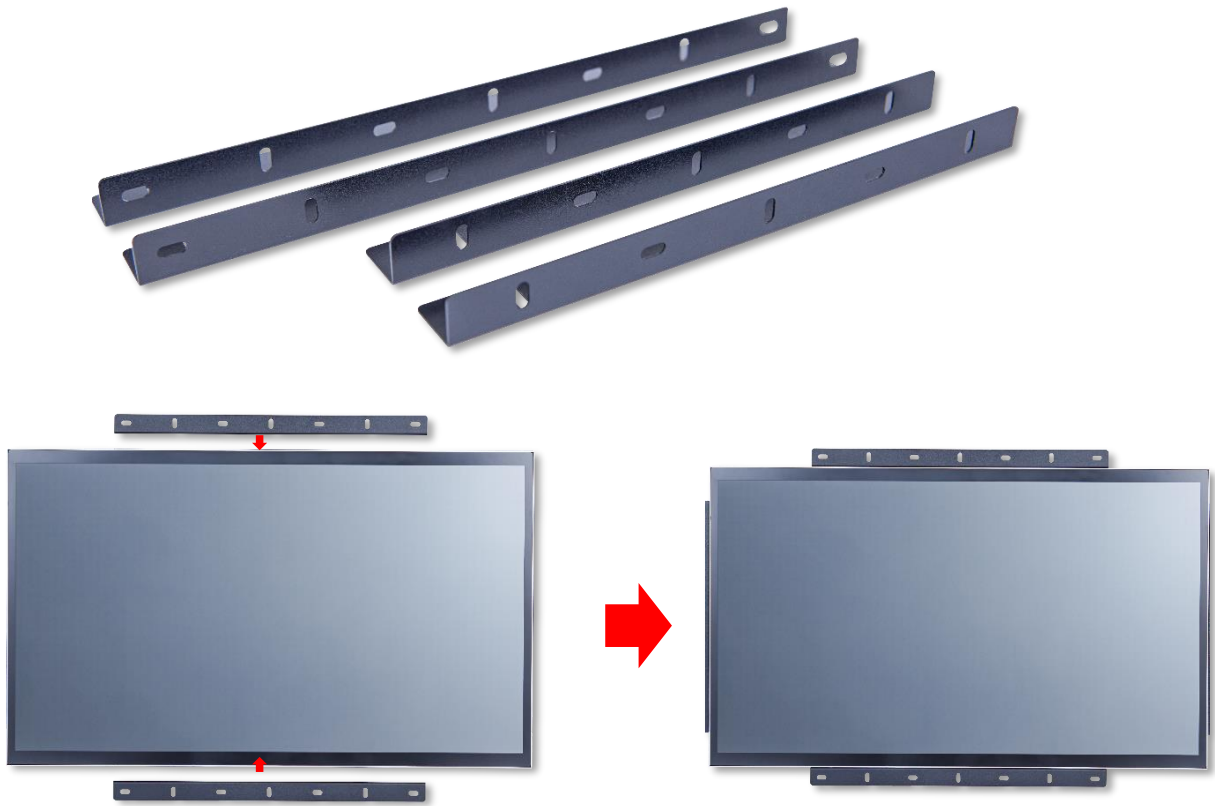
Step 2
Insert the display into the cut-out from the front.



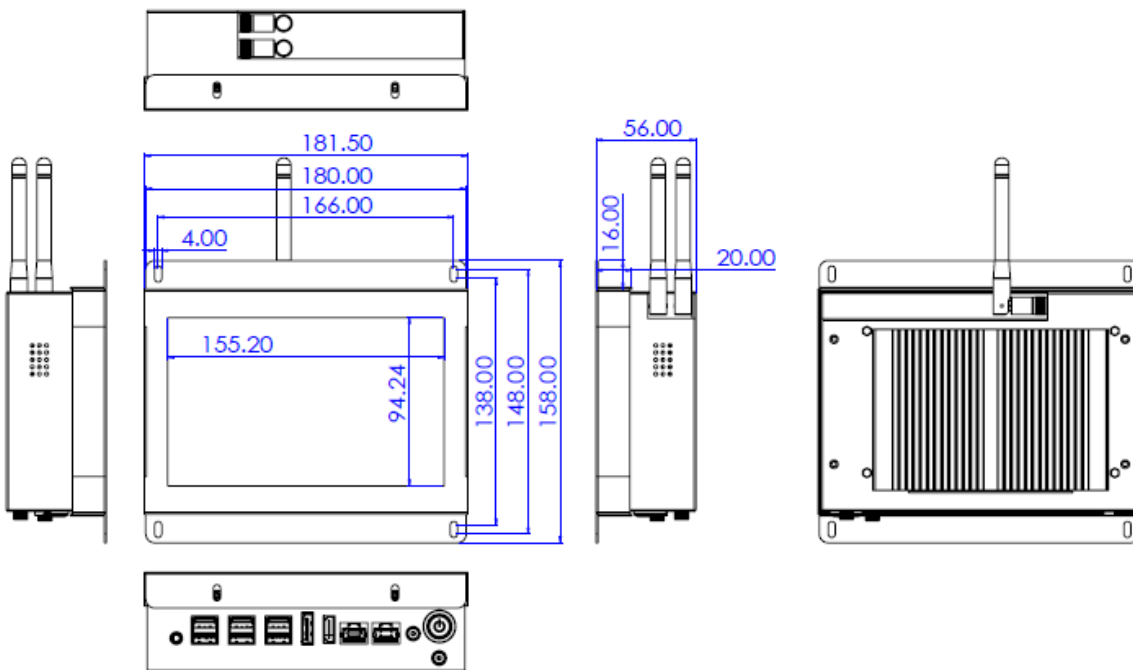
Step 3
Install the mounting clips from the rear side and secure them with screws.



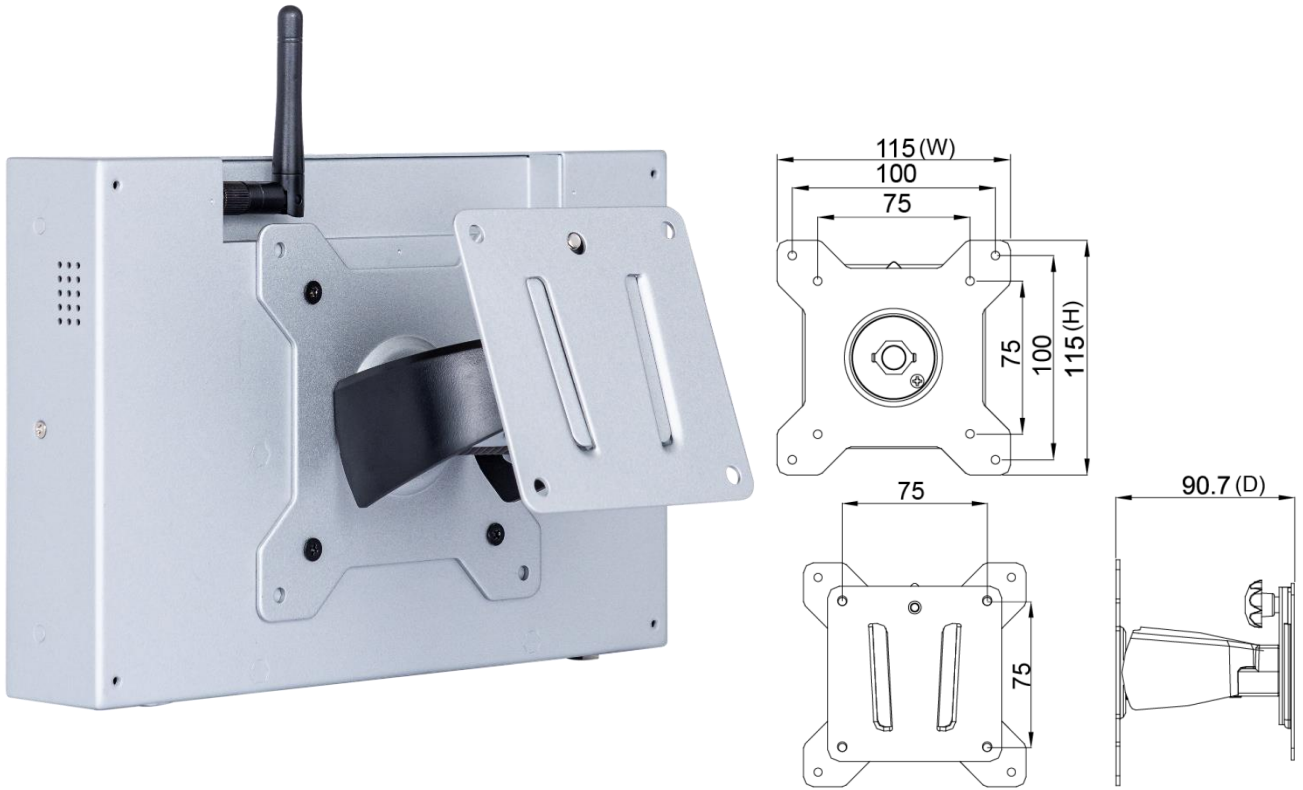
Open-frame Brackets (Optional)



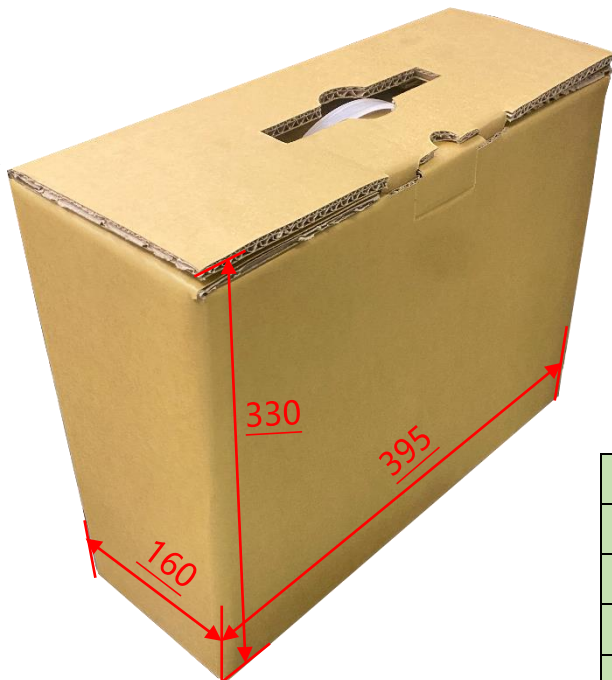
Open-frame Bracket Installation Dimensions



Wall Mount Bracket (Optional)

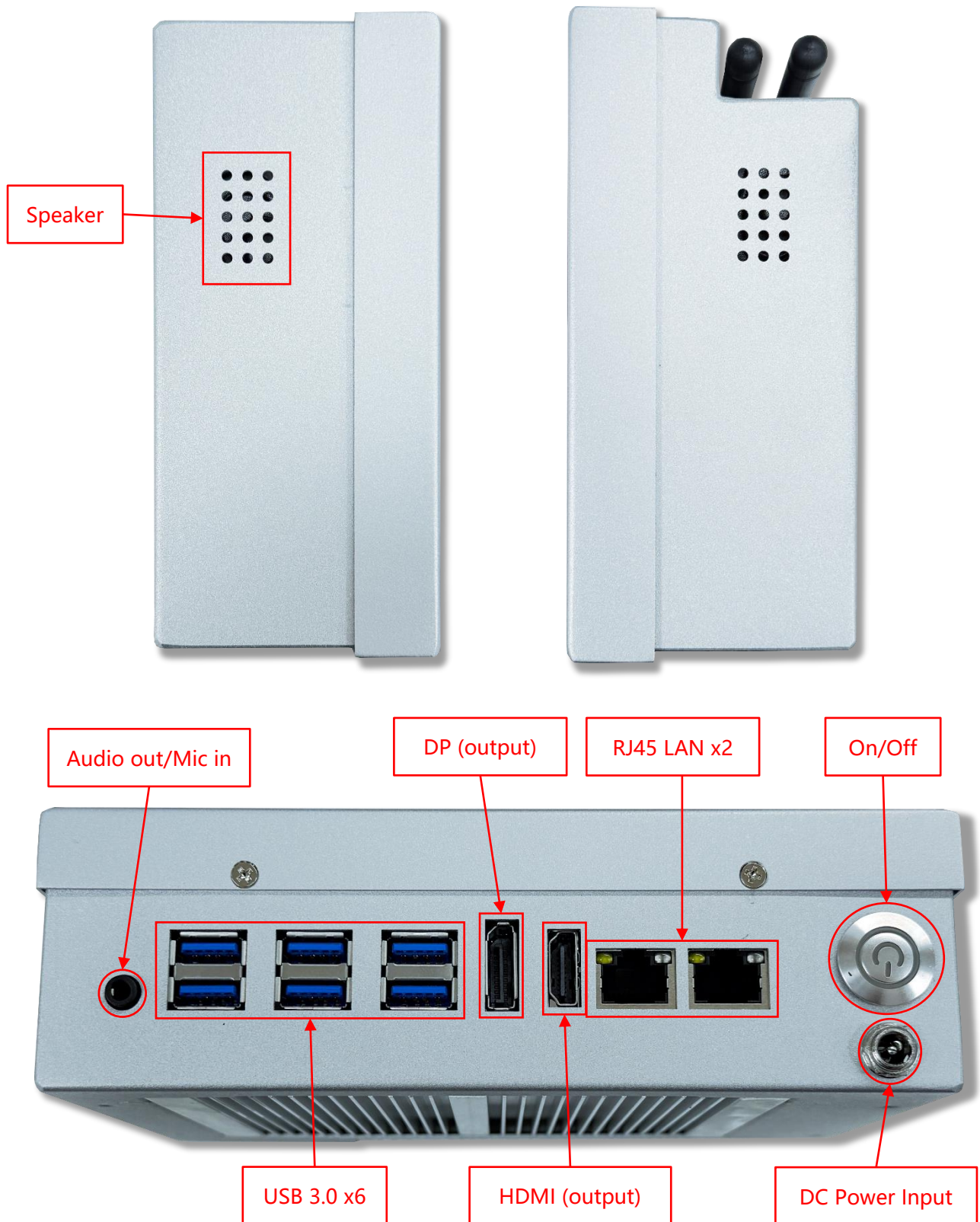


Packing Information



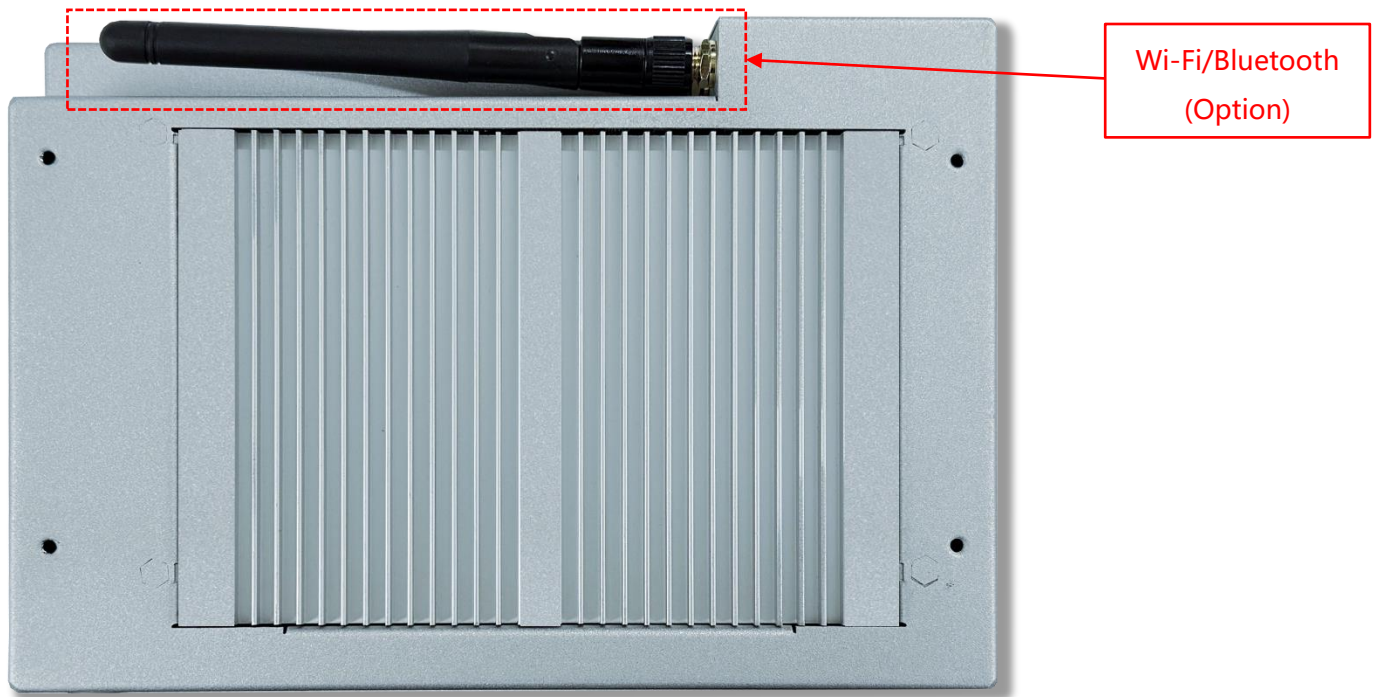
Carton Dimensions	395x160x330 mm
Net Weight	≤1.3 kg
Gross Weight	≤2.4 kg
Units per Pallet	72 units
Pallet Size	120x100x142 cm

Input /Output System



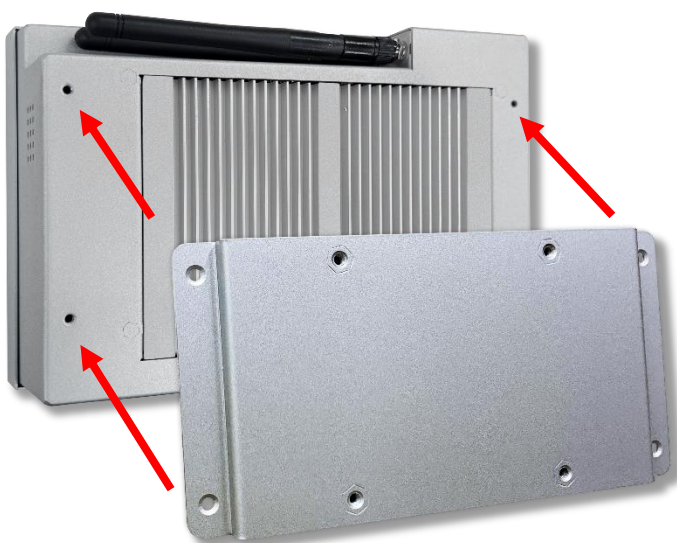
Nextech WP Series 7" Industrial All-in-one Touch PC

NTWP070 V613



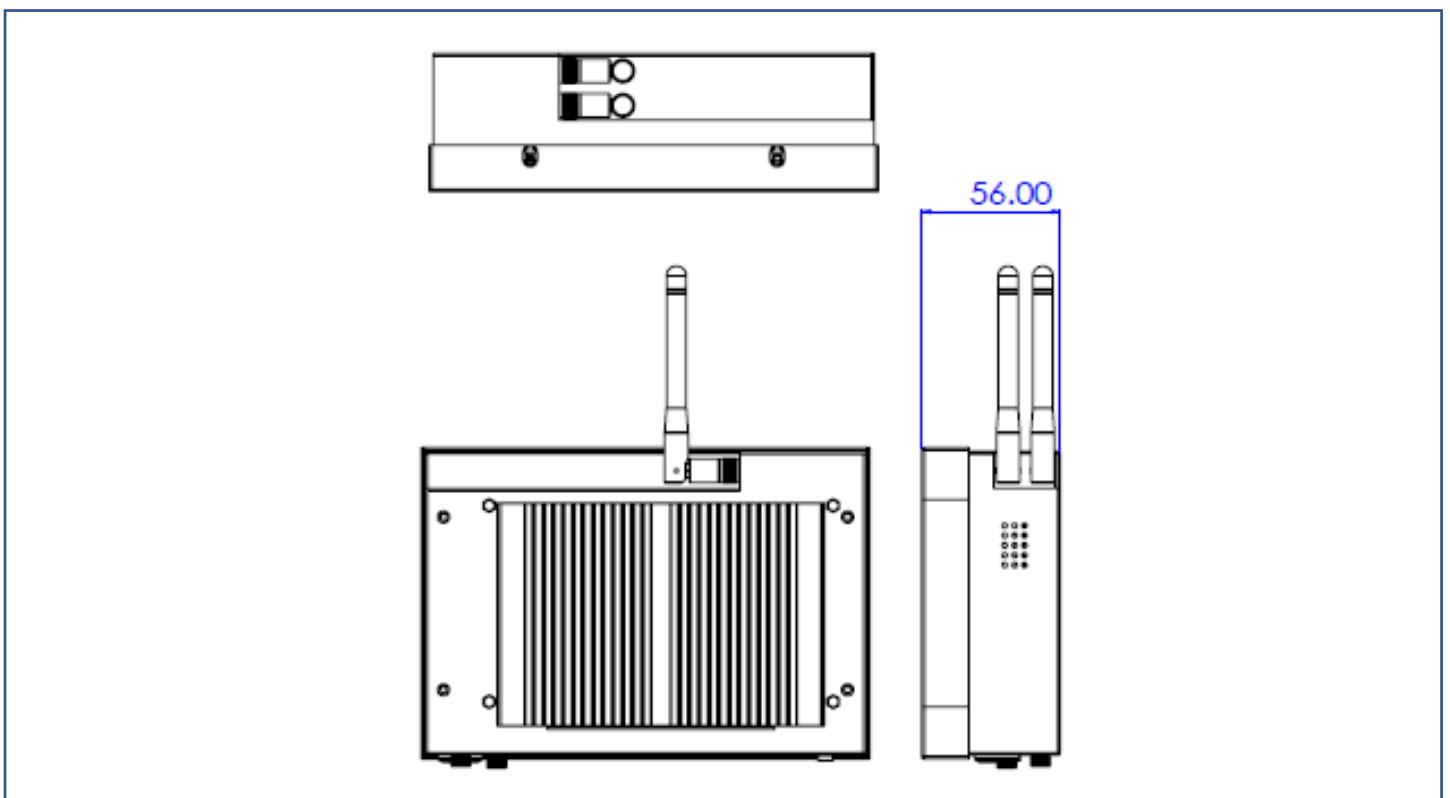
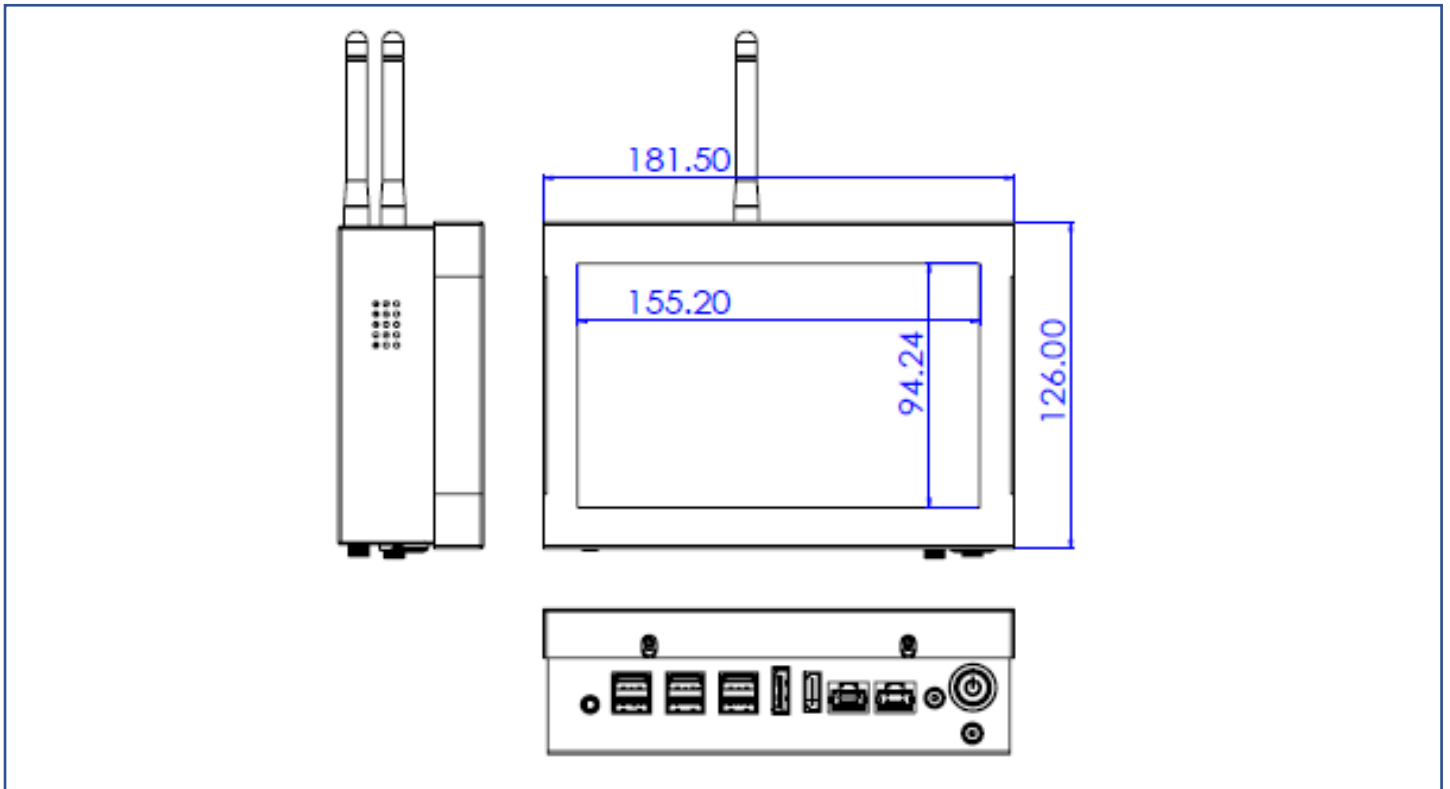
Input / Output	Connectors	Input / Output	Connectors
HDMI (Output)	1	Audio Output /Mic Input (3.5mm)	1
DP (Output)	1	Speakers	1W x2
USB 3.0	6	DC Power Input	1
LAN (RJ45)	2	Speakers	Optional

Mounting Plate



Physical Specifications

Dimensions (Max.)	181.5x126x56(±2)mm	Net Weight	≤1.3 kg
VESA Mount	75x75 mm	Gross Weight	≤2.4 kg



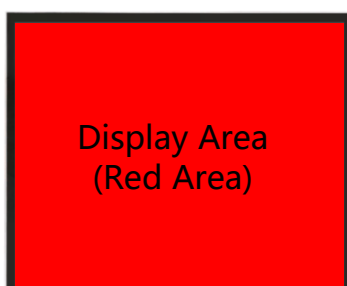
Cosmetic Inspection Criteria

Display Area Defect Criteria			
Defect Description	Defect Criteria	Acceptance	Remarks
Dot Defects (dark dot, particles, bubbles, pits, dust, and foreign matter)	$D \leq 0.2\text{mm}$	Ignored	D=Diameter
	$0.2 < D \leq 0.7\text{mm}$	$N \leq 5$	N=Quantity
	$0.7 < D \leq 1\text{mm}$	$N \leq 3$	
	$D > 1\text{mm}$	$N \leq 0$	
Linear Defect (scratches, fluff, particles)	$W \leq 0.15\text{mm}$	Ignored	W=Width
	$0.15 < W \leq 0.5\text{mm}, L \leq 15\text{mm}$	$N \leq 2$	L=Length
	$W > 0.5\text{mm}$ or $L > 15\text{mm}$	NG	

* Visual inspection condition: 60 cm viewing distance, 90° viewing angle (front/side/back).

Front Appearance Defect Criteria (Including Coating)			
Defect Description	Defect Criteria	Acceptance	Remarks
Dot Defects (dark dot, particles, bubbles, pits, dust, and foreign matter)	$D \leq 0.7\text{mm}$	Ignored	D=Diameter
	$0.7 < D \leq 1.5\text{mm}$	$N \leq 3$	N=Quantity
	$D > 1.5\text{mm}$	$N \leq 0$	
Linear Defect (scratches, fluff, particles)	$W \leq 0.2\text{mm}, L \leq 15\text{mm}$	Ignored	W=Width, L=Length
	$0.2 < W \leq 0.7\text{mm}, L \leq 15\text{mm}$	$N \leq 1$	
	$W > 0.7\text{mm}$ or $L > 15\text{mm}$	NG	

Side / Back Appearance Defect Criteria (Including Coating)			
Defect Description	Defect Criteria	Acceptance	Remarks
Dot Defects (dark dot, particles, bubbles, pits, dust, and foreign matter)	$D \leq 1.5\text{mm}$	Ignored	D=Diameter
	$1.5 < D \leq 3\text{mm}$	$N \leq 8$	N=Quantity
	$D > 3\text{mm}$	$N \leq 2$	
Linear Defect (including scratches, fluff, particles)	$W \leq 0.8\text{mm}, L \leq 15\text{mm}$	Ignored	W=Width, L=Length
	$0.8 < W \leq 1.5\text{mm}, L \leq 15\text{mm}$	$N \leq 5$	
	$W > 1.5\text{mm}$ or $L > 15\text{mm}$	NG	



Display Area
(Red Area)



Front Appearance (Red Area)



Back Appearance