

Product Specifications

Customer	
Model	NTSP101-2 V600



Revision History			
Version	Revision Item	Previous	Updated Description
v2604.1	Initial release		

Key Features

- ★ 10.1" wide screen industrial LCD Panel, 1280x800 resolution
- ★ 1500 nits high brightness
- ★ Wide viewing angle 170°/170°
- ★ Wide-temperature LCD panel, operating temperature -20-70°C
- ★ Narrow-bezel true-flat PCAP touch screen
- ★ 7H Hardness tempered cover glass
- ★ 10-point multi-touch , supports Nextech stylus
- ★ Metal housing with multiple mounting options
- ★ Made in Taiwan, 3-year warranty, designed for harsh environments
- ★ Optional remote control via RS-232 or DDC/CI
- ★ Optional auto dimming function (with Light Sensor)
- ★ Optional AG coating/UV-resistant/Antibacterial/Privacy filter surface treatment



Desktop Stand



Wall Mounting



Panel Mount

Display Specifications

Model Name	NTSP101H <u>X</u> 2D2- <u>XXXXX</u> 0-600*	Display Mode	Normally Black
Screen Diagonal	10.1 inch	Backlight	White LED
Active Area	216.96x135.6 mm	Response Time	25 msec. (Typ.)
Resolution	1280x800	Viewing Angle (L/R, U/D)	170°/170°
Contrast Ratio	1300:1	Backlight Lifetime	>50,000 Hours
Aspect Ratio	16:10	Operating Temp.	-20~70°C
Colors	16.2M Colors	Storage Temp.	-30~70°C
Pixel Pitch	0.1695x0.1695 mm	Brightness	1000 nits

* X = A-Z, 0-9 (Varies by options)

Touch Options

Configuration	Specification	Ordering Information
Standard	Projected Capacitive Touch	NTSP101H <u>P</u> 2D2- <u>XXXXU</u> 0-600
Optional	No touch	NTSP101H <u>0</u> 2D2- <u>XXXX0</u> 0-600

PCAP Touch Specifications

Touch Points	10 points	Cover Lens Thickness	1.1±0.2mm
Transparency	≥87%	Cover Lens Hardness	7H
Accuracy	99.00%	IK Ratings	IK07

Other Configuration Options

Surface Treatment		
Configuration	Specification	Ordering Information
Standard	Glare Type	NTSP101HX2D2-<u>00</u>XXX0-600
Optional	Anti-Glare & UV-resistant Coating	NTSP101HX2D2- <u>GG</u> XXX0-600
Optional	Antibacterial (AB Film)	NTSP101HX2D2- <u>AB</u> XXX0-600
Optional	Privacy filter (AS Film)	NTSP101HX2D2- <u>SF</u> XXX0-600

Housing Color		
Configuration	Specification	Ordering Information
Standard	Black	NTSP101HX2D2-<u>XX</u>BXX0-600
Optional	White	NTSP101HX2D2- <u>XX</u> W XX0-600
Optional	Silver	NTSP101HX2D2- <u>XX</u> S XX0-600
Optional	Custom Color	NTSP101HX2D2- <u>XX</u> X XX0-600

* X = A~Z, 0~9 (Varies by Color)

Housing Material		
Configuration	Specification	Ordering Information
Standard	SECC	NTSP101HX2D2-<u>XXX</u>SX0-600
Optional	Stainless Steel	NTSP101HX2D2- <u>XXX</u> L X0-600
Optional	Aluminum	NTSP101HX2D2- <u>XXX</u> A X0-600

Touch Interface		
Configuration	Specification	Ordering Information
Standard	USB	NTSP101H<u>P</u>2D2-<u>XXXX</u>U0-600
Optional	No touch	NTSP101H <u>0</u> 2D2- <u>XXXX</u> 0 0-600

Included Cables and Power Accessories

Item	Specification	Quantity
HDMI Cable	Male-to-male, 1.8 meter	1
AC-DC Adapter	12V adapter with CE/FCC/CCC/UL/RoHS/PSE/JET Certification	1
Power Cord	* (varies by region)	1
USB Cable	Type A, Male-to-male, 1.8 Meter *(touch models only)	1

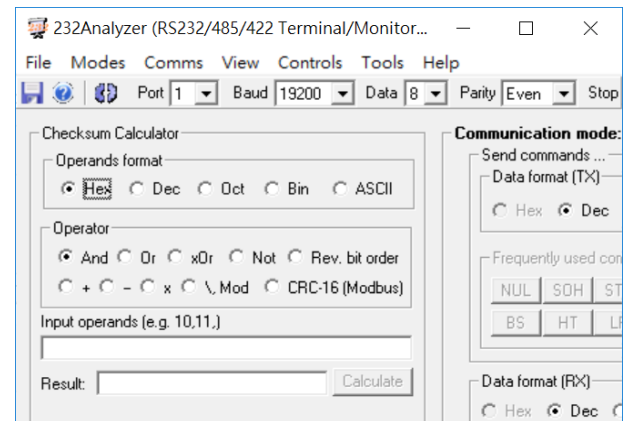
Optional Features & Accessories

Option	Item	Description
Optional	Remote software control	Remote software control via RS232 interface
Optional	Ambient light sensor	Automatic brightness control
Optional	Stylus pen	

Light sensor (Optional)



Remote Software (Optional)



Nextech Stylus (Optional)

Tip	Passive conductive metal mesh
Tip Diameter	6mm
Magnetic Attachment	Yes



Magnetic attachment

Optional Mounting Accessories

	Accessories	Description
Optional	Desktop stand	For desktop use
Optional	Front protection frame	Protects panel and enables Front IP65 protection
Optional	Panel mount kit	For front mounting into kiosks, cabinets, or equipment panels.
Optional	Wall Mount Bracket	For wall mounting

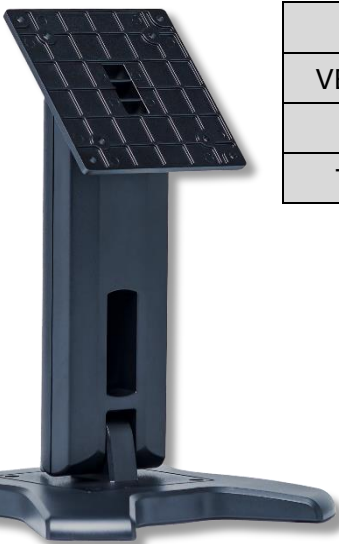
Desktop Stand Type L (Optional)



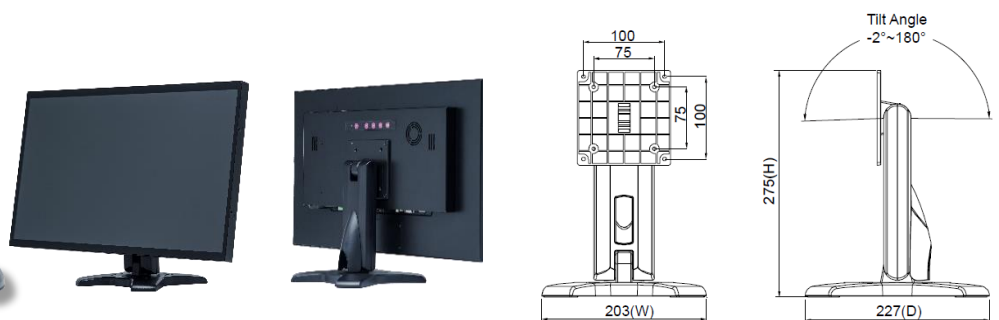
Item	L Stand	Model	DST-0B004/DST-1B004
VESA Mount	100x100 / 75x75 mm	Dimensions	194x194x222 mm
Material	SECC	Net Weight	1.4 kg
Tilt Angle	105°	Load Capacity	15 kg



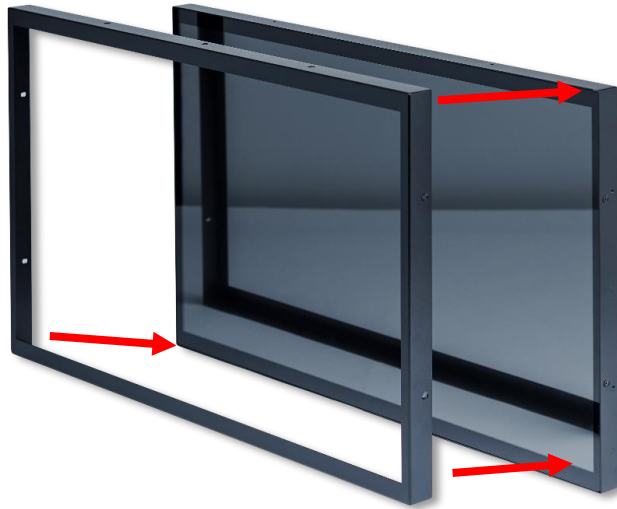
Desktop Stand Type B (Optional)



Item	B Stand	Model	DST-0B002/DST-1B002
VESA Mount	100x100 / 75x75 mm	Dimensions	203x275x227 mm
Material	Steel/Plastic/Aluminum	Net Weight	1.8 kg
Tilt Angle	-2° ~ +180°	Load Capacity	15 kg



Front Protection Frame (Optional)

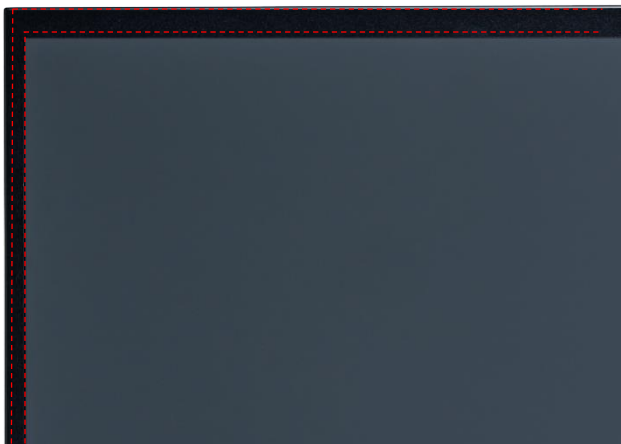


The standard **NTSP101** features a true-flat design with only 1mm metal bezel.

To enhance protection for the corners of the touch screen, the **Front Protection Frame** can be added.



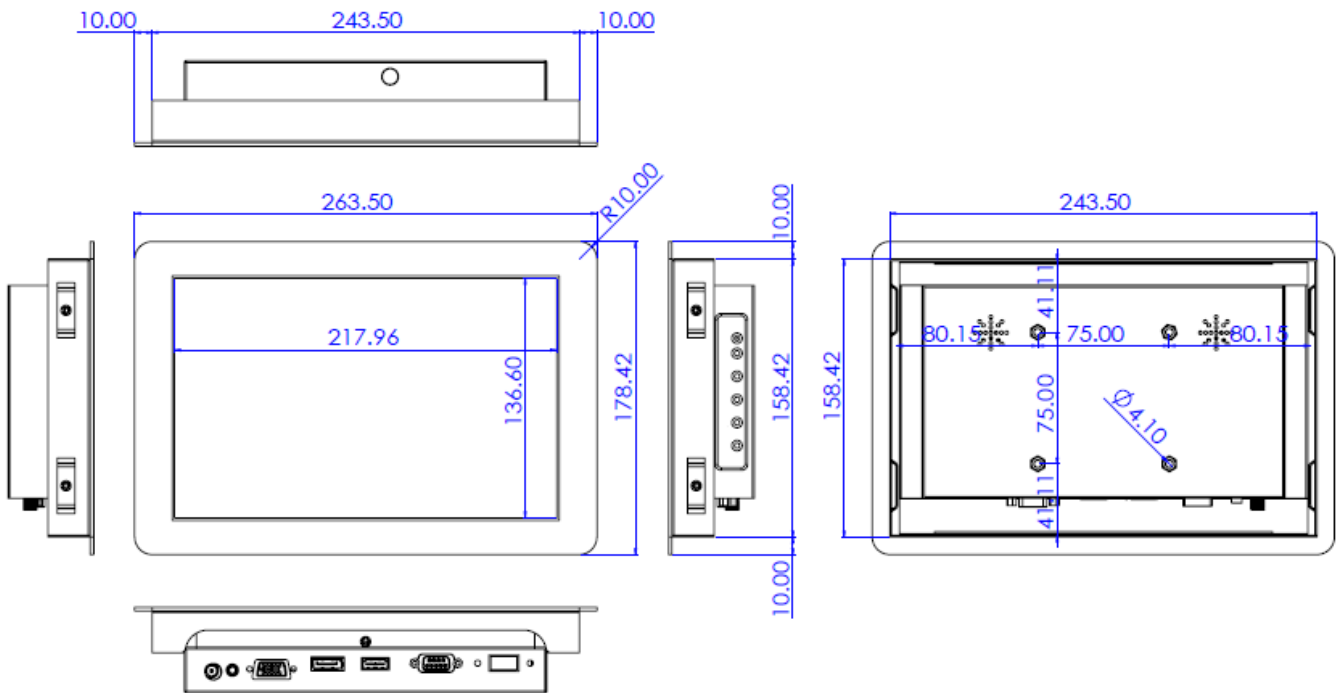
A waterproof gasket can be added between the **Front Protection Frame** and the **NTSP101** to comply with IP65 front protection requirements.



Panel Mount Kits (Option)



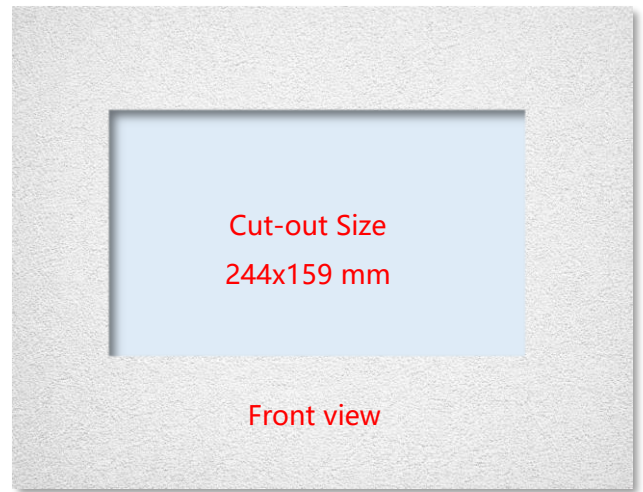
Panel Mount Installation Dimensions





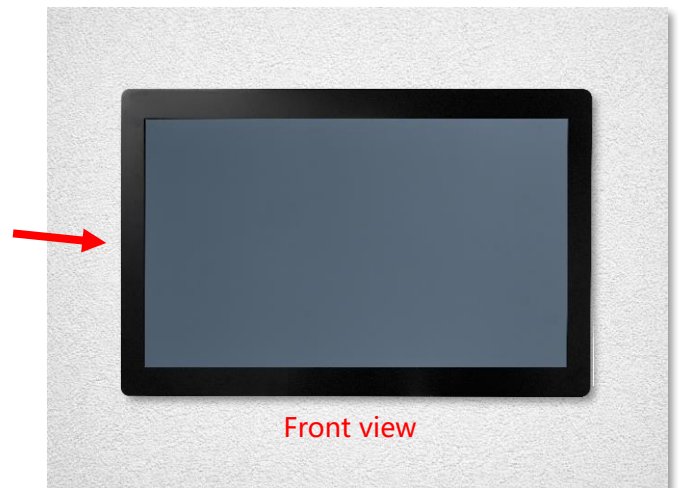
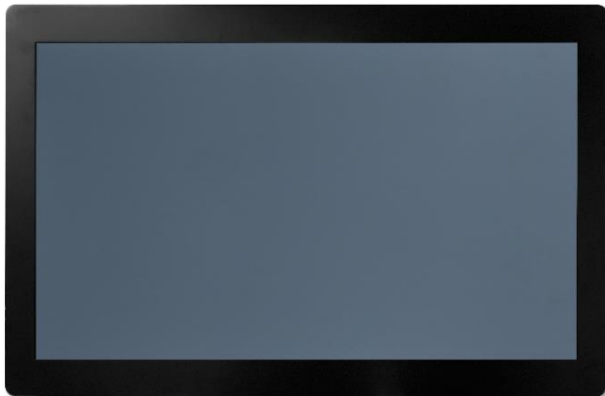
Step 1

Assemble the front module with the display unit.
(This step is pre-assembled at Nextech's factory.)



Cut-out Size
244x159 mm

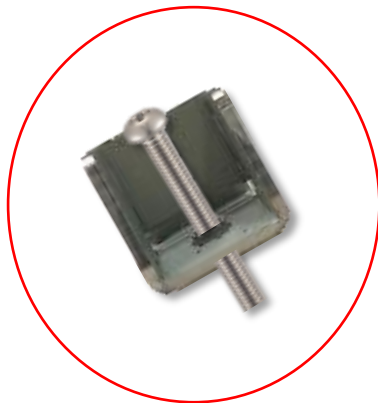
Front view



Front view

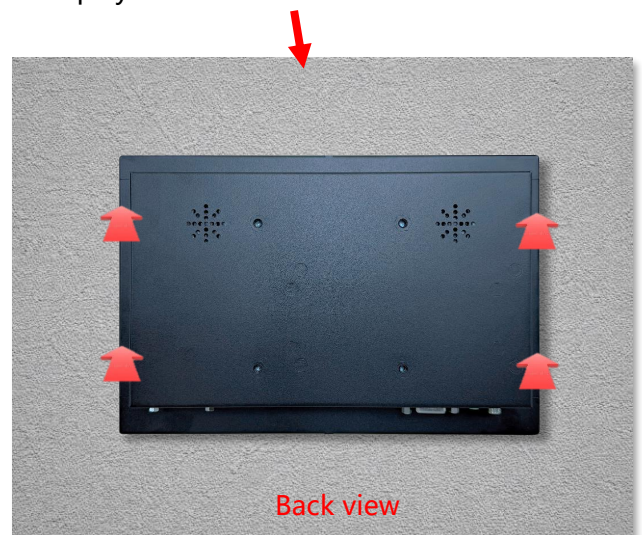
Step 2

Insert the display into the cut-out from the front.



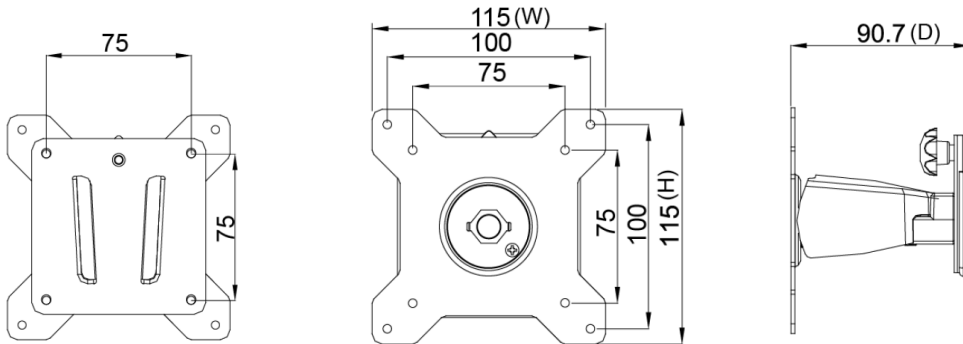
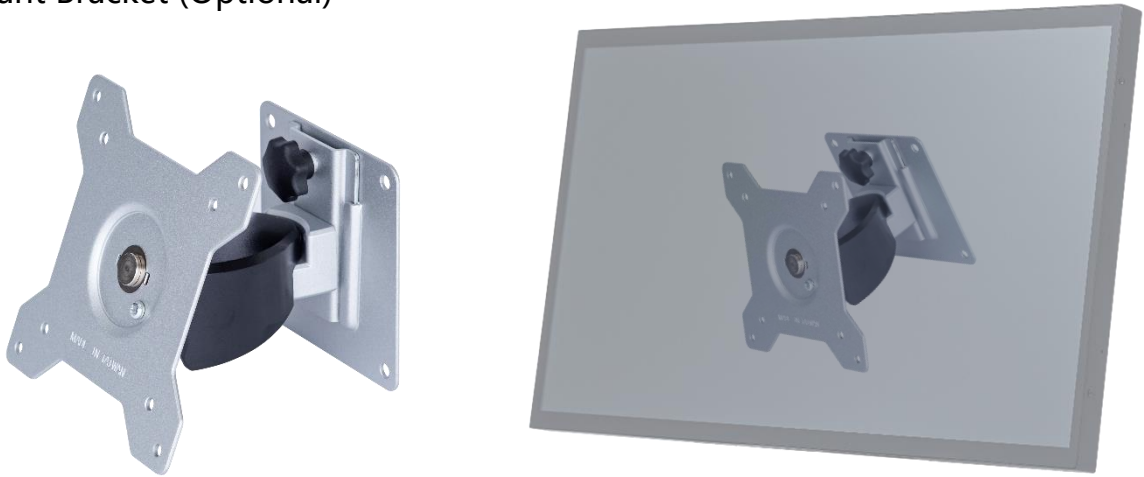
Step 3

Install the mounting clips from the rear side and secure them with screws.

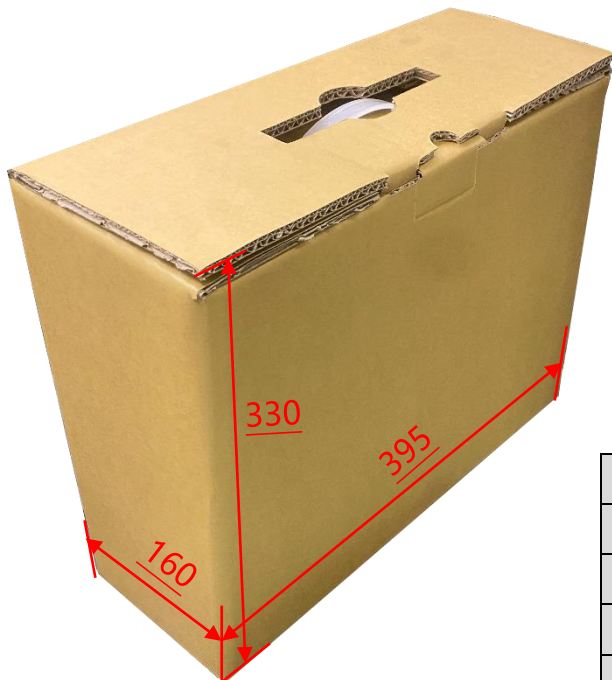


Back view

Wall Mount Bracket (Optional)



Packing Information



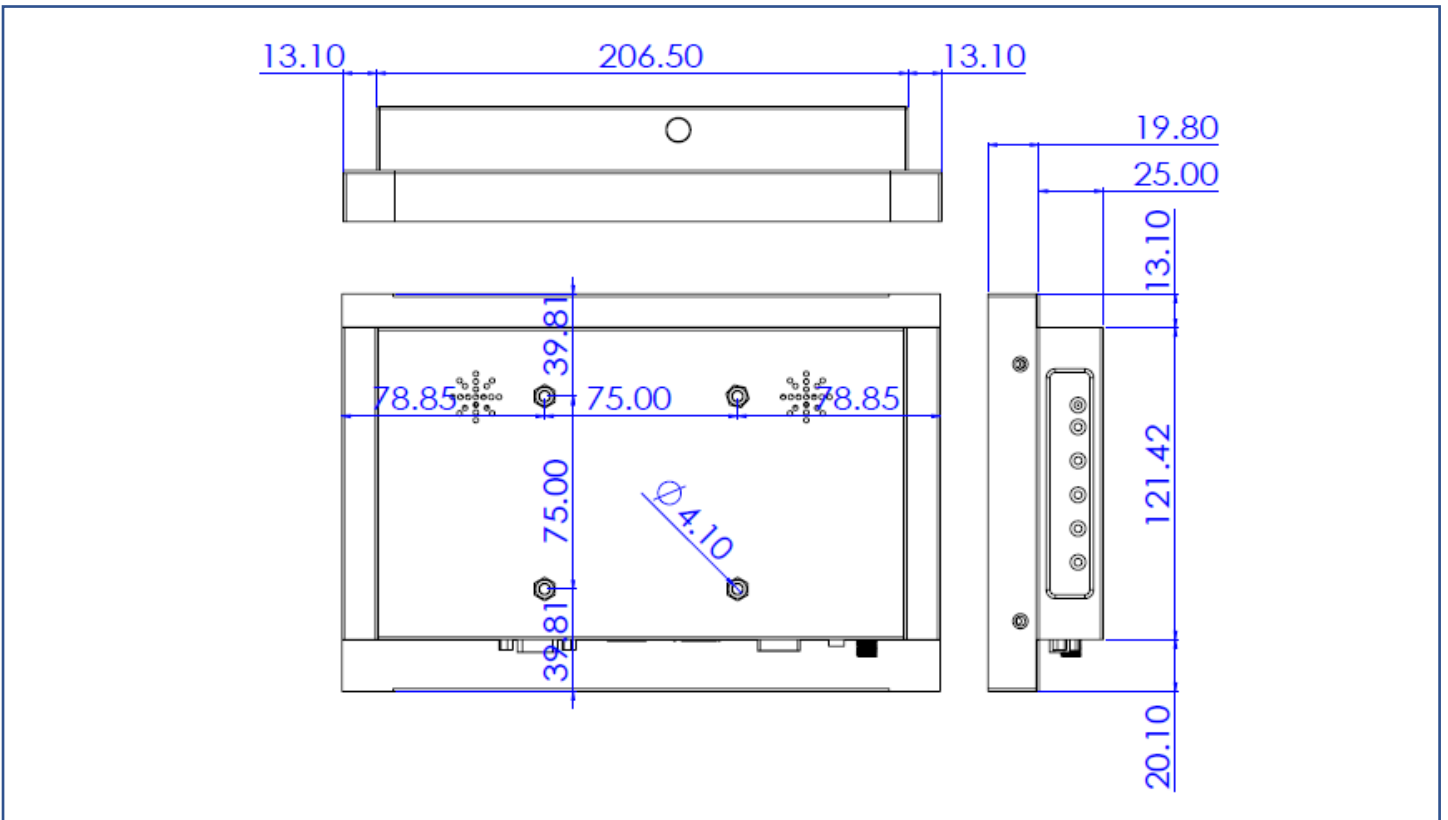
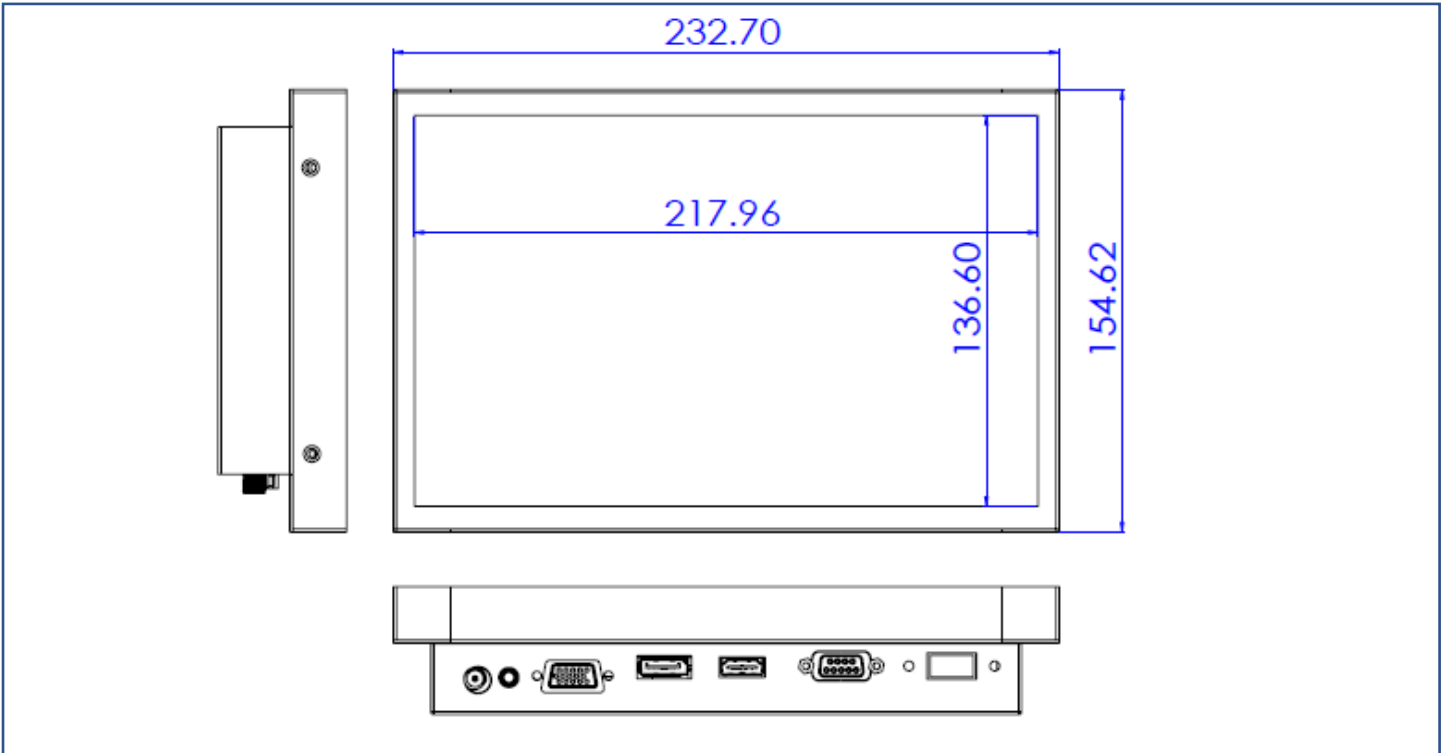
Carton Dimensions	395x160x330 mm
Net Weight	≤1.9 kg
Gross Weight	≤3.3 kg
Units per Pallet	72 units
Pallet Size	120x100x142 cm

Input /Output System



Mechanical Specifications

Dimensions (Max.)	232.7x154.62x44.8(±2) mm	Net Weight	≤1.9 kg
VESA Mount	75x75 mm	Gross Weight	≤3.3 kg



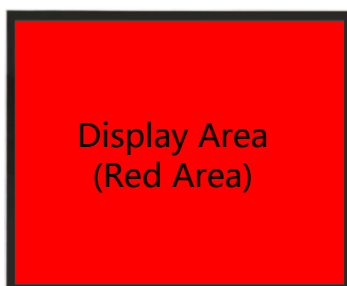
Cosmetic Inspection Criteria

Display Area Defect Criteria			
Defect Description	Defect Criteria	Acceptance	Remarks
Dot Defects (dark dot, particles, bubbles, pits, dust, and foreign matter)	$D \leq 0.2\text{mm}$	Ignored	D=Diameter
	$0.2 < D \leq 0.7\text{mm}$	$N \leq 5$	N=Quantity
	$0.7 < D \leq 1\text{mm}$	$N \leq 3$	
	$D > 1\text{mm}$	$N \leq 0$	
Linear Defect (scratches, fluff, particles)	$W \leq 0.15\text{mm}$	Ignored	W=Width
	$0.15 < W \leq 0.5\text{mm}, L \leq 15\text{mm}$	$N \leq 2$	L=Length
	$W > 0.5\text{mm}$ or $L > 15\text{mm}$	NG	

* Visual inspection condition: 60 cm viewing distance, 90° viewing angle (front/side/back).

Front Appearance Defect Criteria (Including Coating)			
Defect Description	Defect Criteria	Acceptance	Remarks
Dot Defects (dark dot, particles, bubbles, pits, dust, and foreign matter)	$D \leq 0.7\text{mm}$	Ignored	D=Diameter
	$0.7 < D \leq 1.5\text{mm}$	$N \leq 3$	N=Quantity
	$D > 1.5\text{mm}$	$N \leq 0$	
Linear Defect (scratches, fluff, particles)	$W \leq 0.2\text{mm}, L \leq 15\text{mm}$	Ignored	W=Width, L=Length
	$0.2 < W \leq 0.7\text{mm}, L \leq 15\text{mm}$	$N \leq 1$	
	$W > 0.7\text{mm}$ or $L > 15\text{mm}$	NG	

Side / Back Appearance Defect Criteria (Including Coating)			
Defect Description	Defect Criteria	Acceptance	Remarks
Dot Defects (dark dot, particles, bubbles, pits, dust, and foreign matter)	$D \leq 1.5\text{mm}$	Ignored	D=Diameter
	$1.5 < D \leq 3\text{mm}$	$N \leq 8$	N=Quantity
	$D > 3\text{mm}$	$N \leq 2$	
Linear Defect (including scratches, fluff, particles)	$W \leq 0.8\text{mm}, L \leq 15\text{mm}$	Ignored	W=Width, L=Length
	$0.8 < W \leq 1.5\text{mm}, L \leq 15\text{mm}$	$N \leq 5$	
	$W > 1.5\text{mm}$ or $L > 15\text{mm}$	NG	



Display Area
(Red Area)



Front Appearance (Red Area)



Back Appearance