

Product Specifications

Customer	
Model	NTAP156-3-S8 V600
Model No.	NTAP156H<u>X3XX</u>-S8R88FC-<u>XXFX</u>-600

* X = A~Z, 0~9 (Depends on Options.)



Records of Revision			
Vision	Modifying	Old Description	New Description
v2601.1	Preliminary specification		

Nextech AP Series 15.6" Android All-in-one Touch PC

NTAP156-3-S8 V600

Features

- ★ 15.6 inch Wide Industrial Grade Panel, 1920x1080(FHD) Resolution
- ★ Viewing Angle Technology (178°/178°)
- ★ 1000nits High Brightness
- ★ Operating Temperature Range -30~85°C
- ★ Rockchip RK3588, 4*Cortex-A76 + 4*Cortex-A55
- ★ On Board DDR4 8G Memory
- ★ On Board 64 Flash ROM
- ★ Android 14
- ★ Narrow Bezel, True Flat Projected Capacitive Touch Screen
- ★ 7H Hardness Tempered Cover Glass
- ★ 10 points Multi-touch, Supports NEXTECH Dedicated Stylus
- ★ Metal Cabinet with Diverse Combine Options
- ★ Made in Taiwan, 3 Years Warranty, Designed for Harsh Environments
- ★ Optional AG Coating/Anti-UV/Antibacterial/Privacy Filter Surface Treatment



PSE



BSMI



RoHS



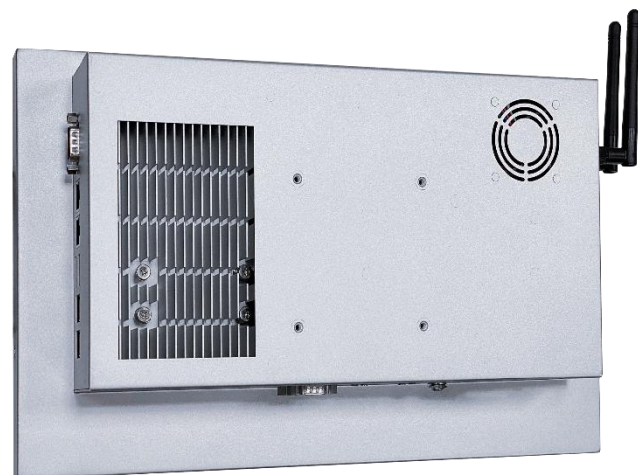
CE



ISO9001



FCC



Desktop Stand



Wall Mounting



Open-frame Brackets



Panel Mount

System Specifications

CPU	Rock Chip ARM RK3588, 4*Cortex-A76 + 4*Cortex-A55
Memory	DDR4 8G
Storage	64G Flash ROM
Sound Chip	ES8336 Audio HDA codec
Physical Network	1. Realtek RTL8211F GbE Ethernet Controller Realtek RTL8211H GbE Ethernet Controller
Wireless Network	2.4GHz/5GHz WIFI+ Bluetooth 5.3
OS	Android 14

Display Specifications

Screen Diagonal	15.6 inch	Display Mode	Normally Black
Display Area	344.2x193.6 mm	Backlight Unit	LED (white LED)
Resolution	1920x1080 (FHD)	Viewing Angle (L/R, U/D)	178°/178° (CR=10)
Contrast Ratio	1000:1	Response Time	25 msec.
Display Ratio	16:9	Backlight Lifetime	>50,000 Hours
Support Colors	16.7M Colors	Operating Temp.	-30~85°C
Pixel Pitch	0.17925x0.17925 mm	Storage Temp.	-30~85°C
Brightness	1000nits		

Touch Options

Touch Screen		
	Description	Model Name
Standard	Projected Capacitive Touch	NTAP156HP3XX-S8R88FC-XXFX-600
Option 1	Resistive Touch	NTAP156H53XX-S8R88FC-XXFX-600
Option 2	Non-Touch	NTAP156H03XX-S8R88FC-XXFX-600

Projected Capacitive Touch

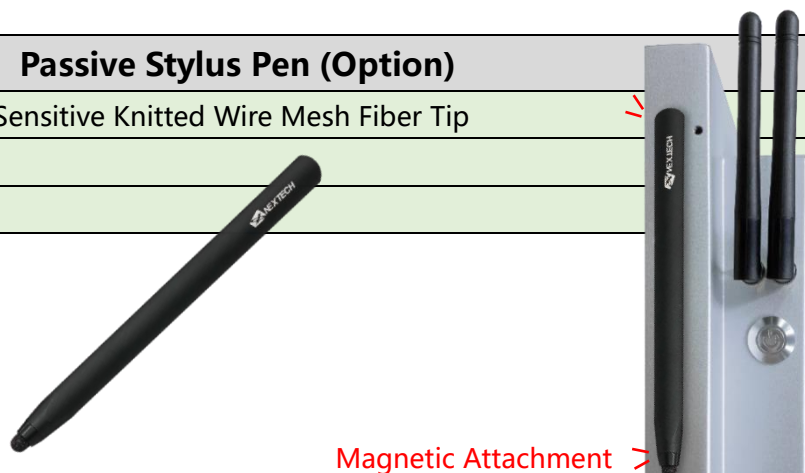
Allowed Touch Points	10 points	Thickness of Cover Lens	2.0±0.2mm
Transparency	≥87%	Hardness of Cover Lens	7H
Accuracy	99.00%	IK Ratings	IK07

Resistive Touch

Allowed Touch Points	1 point	Transparency	Anti-glare<15%
Transparency	80%±5%	Surface Treatment	≥3H
Accuracy	98.50%	Hardness	

Surface Treatment		
	Description	Model Name
Standard	(none)	NTAP156HX300-S8R88FC-XXFX-600
Option 1	Anti-Glare&UV cut Coating	NTAP156HX3GG-S8R88FC-XXFX-600
Option 2	Antibacterial (AB Film)	NTAP156HX3AB-S8R88FC-XXFX-600
Option 3	Anti-Spy (AS Film)	NTAP156HX3SF-S8R88FC-XXFX-600
Option 3	Anti-Glare&Reflection&+UV cut+Anti-Fog (Moth Eye treatment)	NTAP156HX3MF-S8R88FC-XXFX-600

Passive Stylus Pen (Option)	
Technology	Passive High Sensitive Knitted Wire Mesh Fiber Tip
Size of tip	6mm
Magnetic Attachment	Yes



Magnetic Attachment >

System Options

Material of Cabinet		
	Description	Model Name
Standard	SECC	NTAP156HX3XX-S8R88FC-<u>S</u>FX-600
Option 1	Stainless Steel	NTAP156HX3XX-S8R88FC- <u>L</u> FX-600
Option 2	Aluminum	NTAP156HX3XX-S8R88FC- <u>A</u> FX-600

Color of Cabinet		
	Description	Model Name
Standard	Silver	NTAP156HX3XX-S8R88FC-<u>X</u>SFX-600
Option 1	White	NTAP156HX3XX-S8R88FC- <u>X</u> WFX-600
Option 2	Black	NTAP156HX3XX-S8R88FC- <u>X</u> BFX-600
Options	Other Colors	NTAP156HX3XX-S8R88FC- <u>X</u> AFX-600

* X = A~Z, 0~9 (Depends on Color)

Power Input		
	Description	Model Name
Standard	12VDC-in, with AC/DC Adapter	NTAP156XXSXX-S8R88FC-<u>XX</u>F<u>2</u>-600
Option	100~240V AC, C14 AC Power Socket	NTAP156XXSXX-S8R88FC- <u>XX</u> F <u>A</u> -600

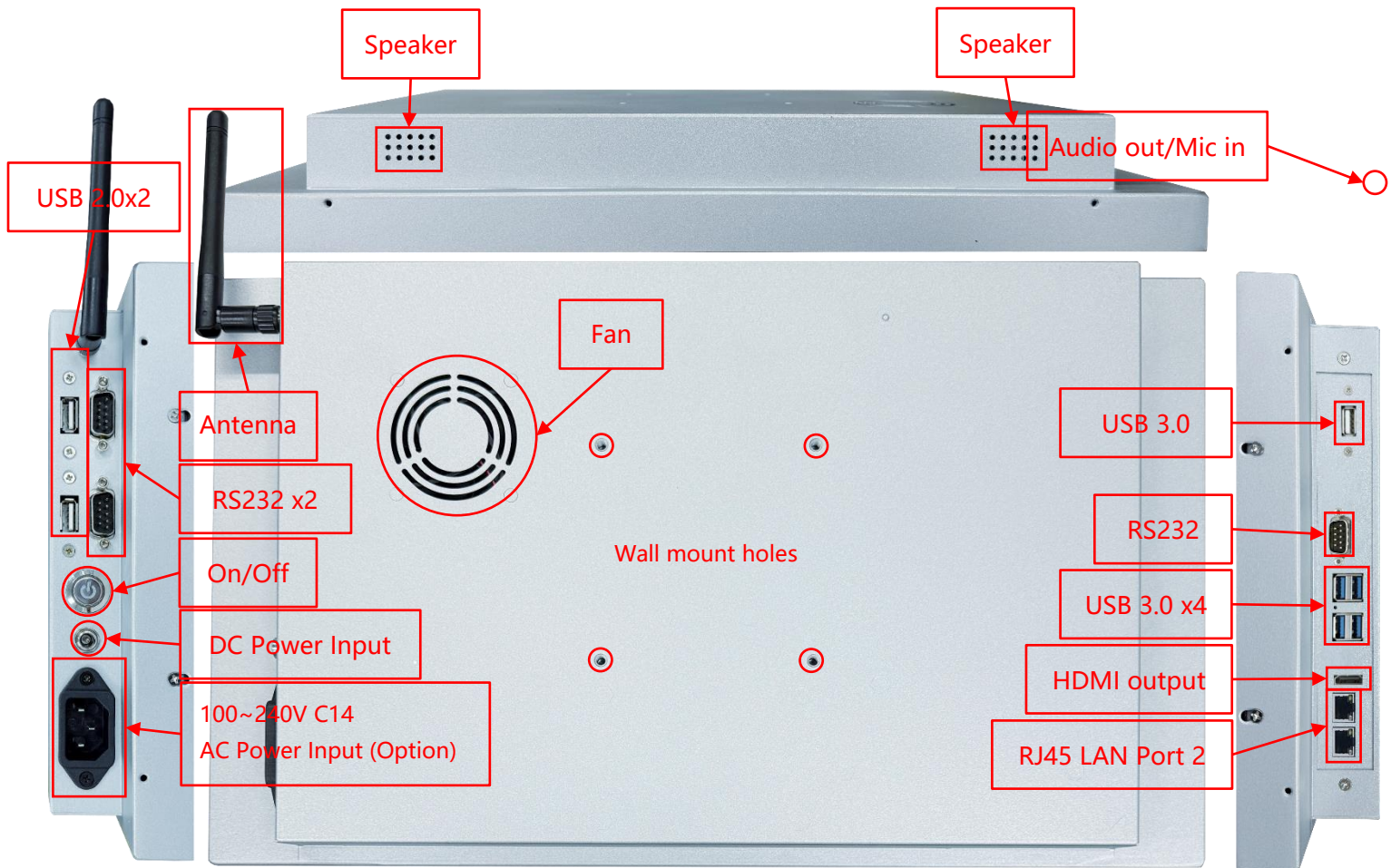


DC-in



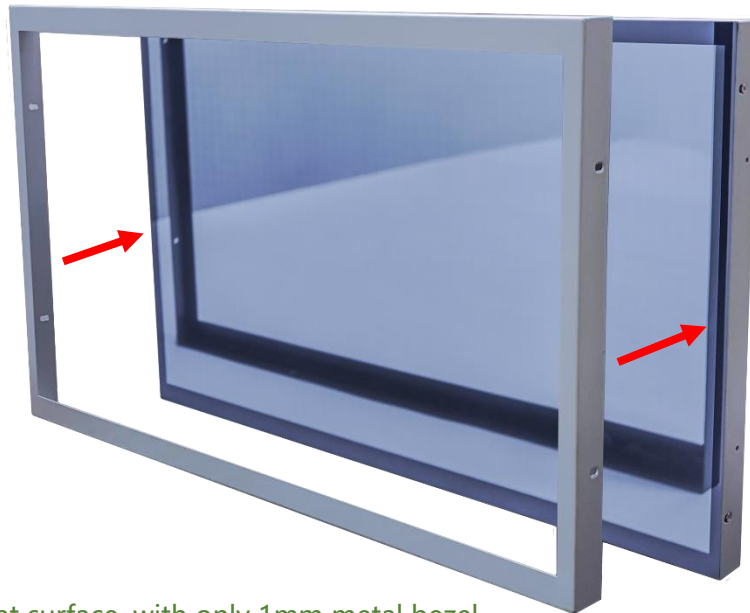
AC-in

Input /Output System

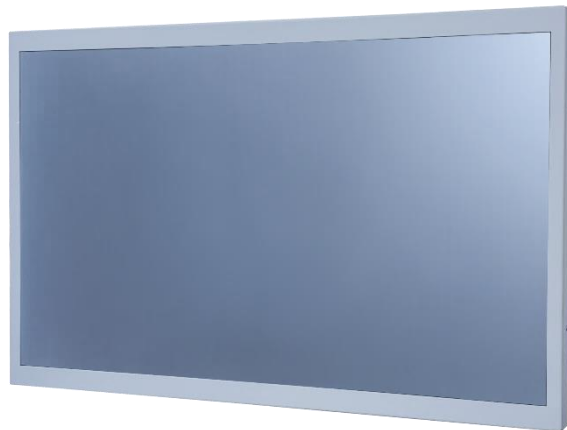


Input / Output	Connectors	Input / Output	Connectors
DC Power Input	1	HDMI output	1
AC Power Input	Option	LAN (RJ45)	2
USB 2.0	3	Wi-Fi/Bluetooth & Antenna	1
USB 3.0	4	Speakers	1W x2
RS232	3		

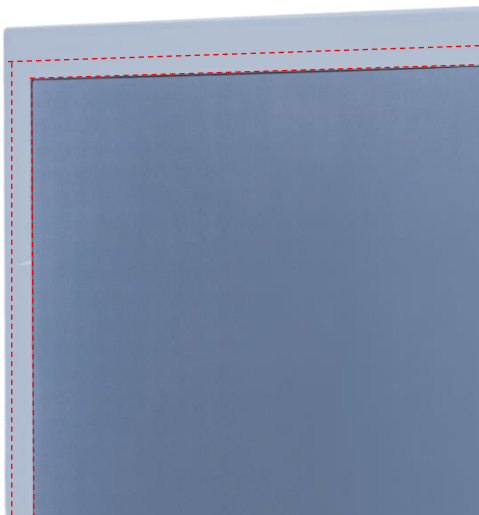
Front Cover (Option)



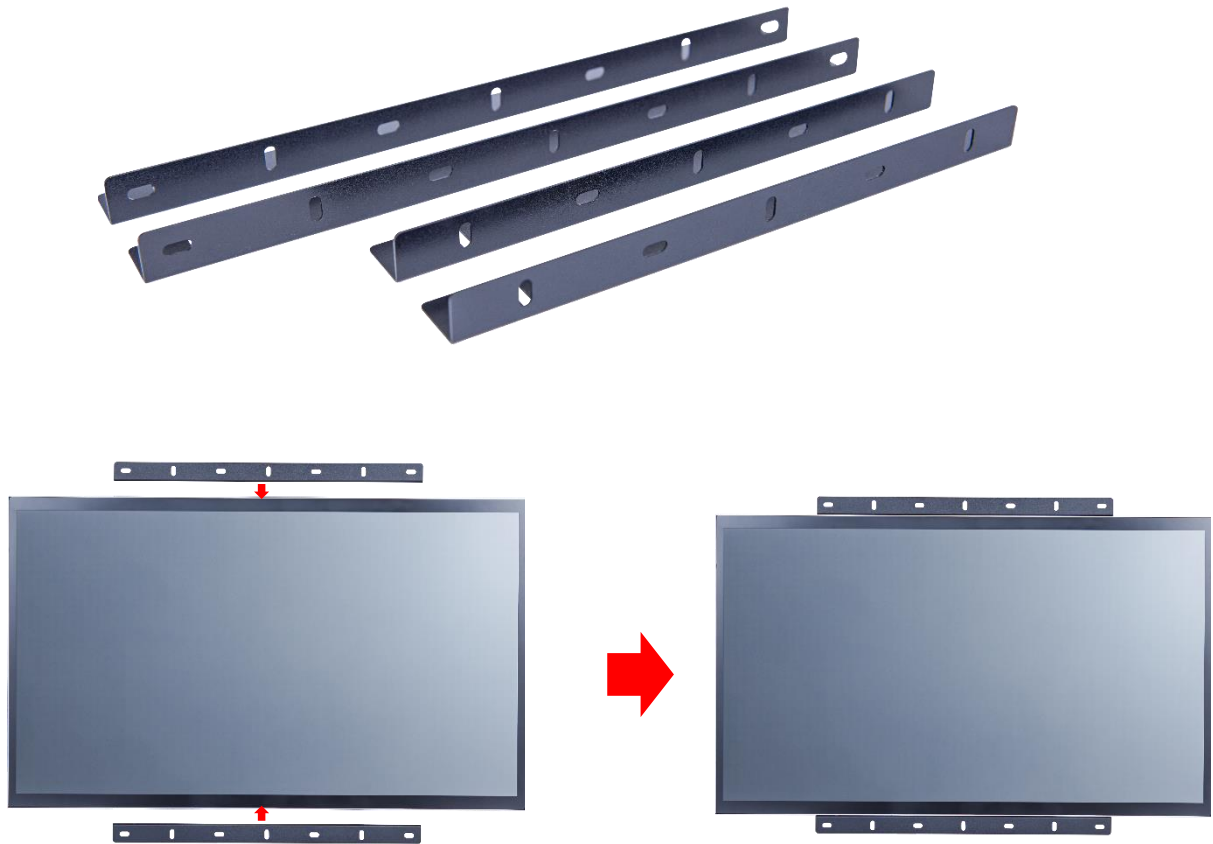
The standard **NTAP156** is true flat surface, with only 1mm metal bezel.
To protect the corners of the touch screen, the **Front Cover** can be added.



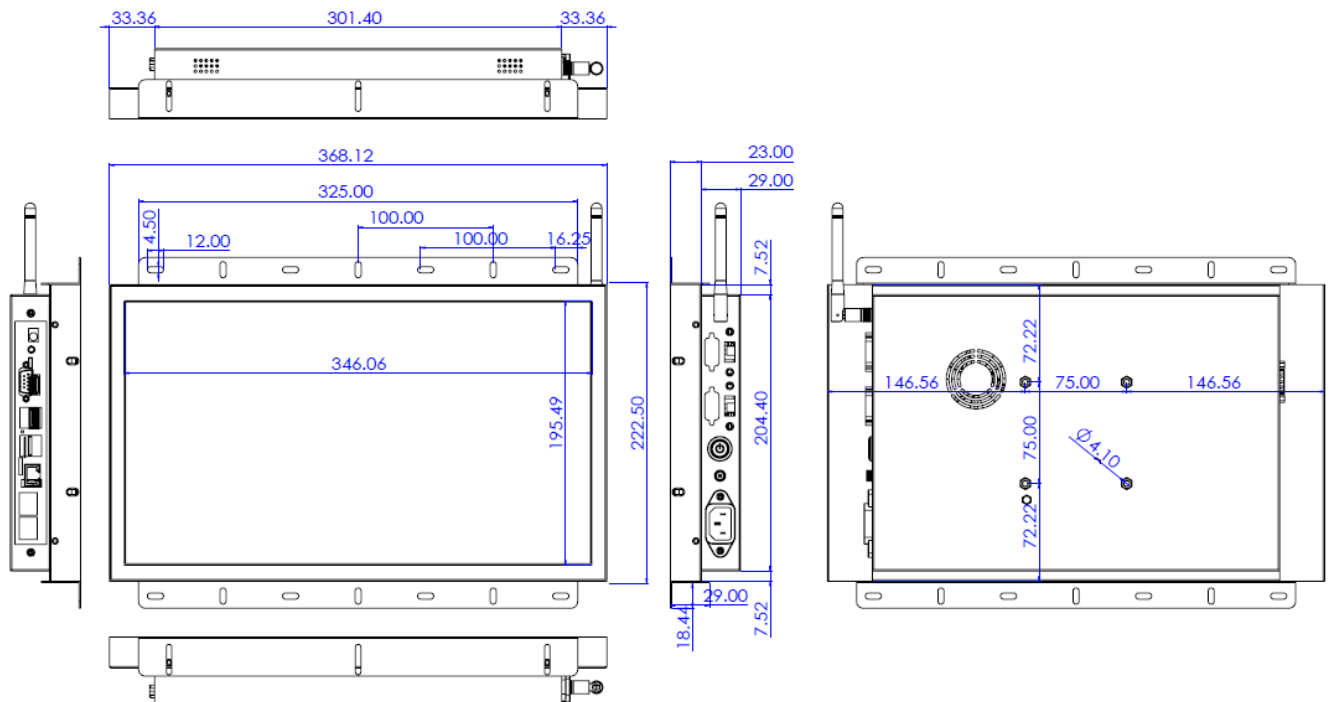
The watertight gasket can be added between the **Front Cover** and **NTAP156**.
It complies **IP65** on front.



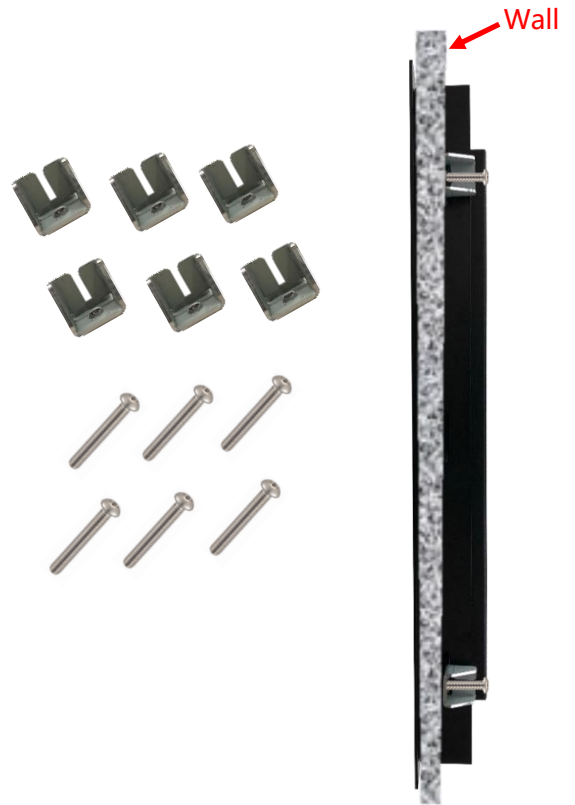
Open-frame Brackets (Option)



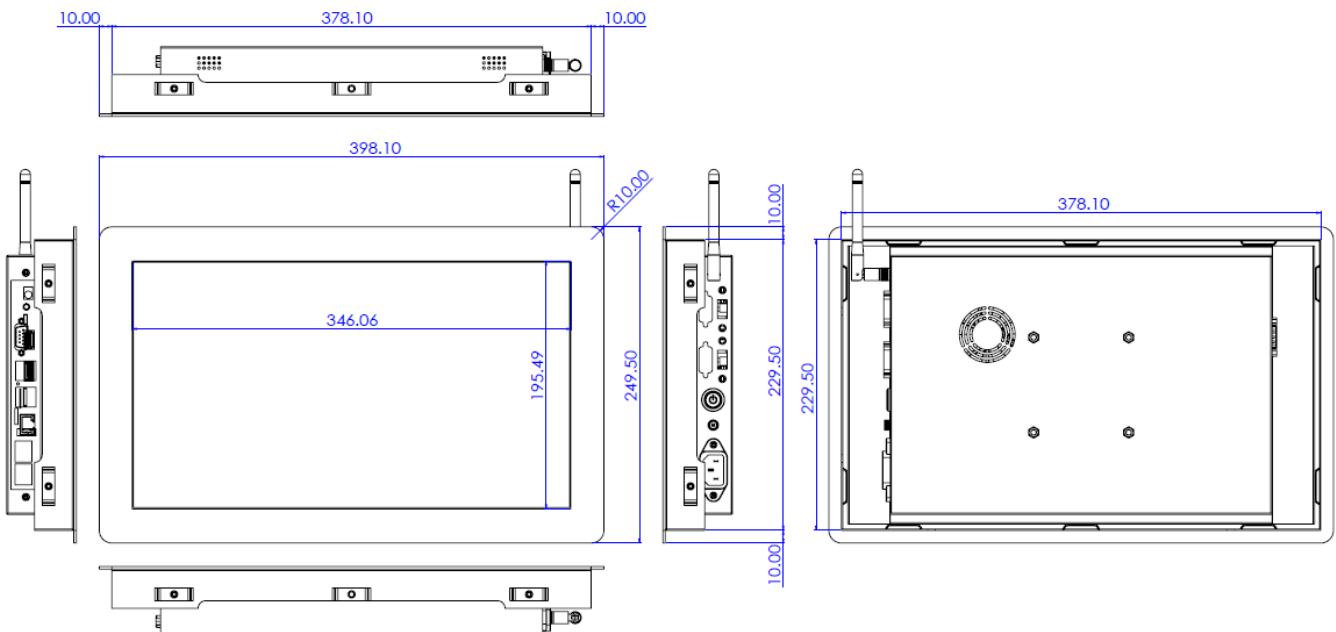
Dimension for Installing with Open-frame Brackets



Panel Mount Kits (Option)

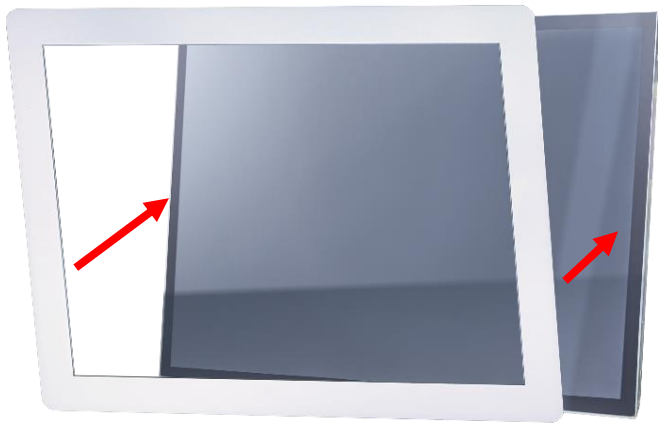


Dimension for Installing with Panel Mount Kits

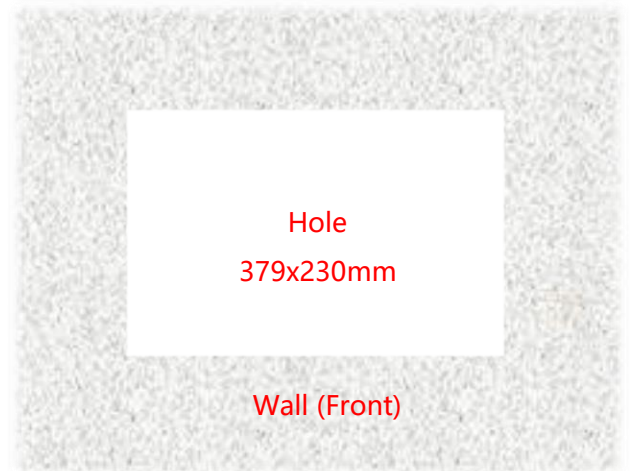


Nextech AP Series 15.6" Android All-in-one Touch PC

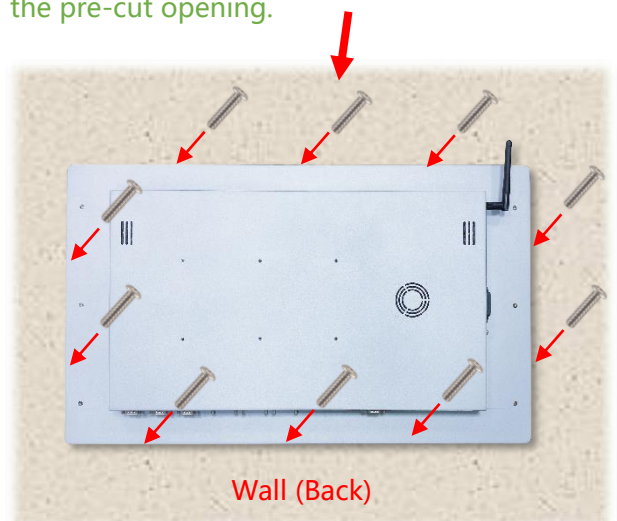
NTAP156-3-S8 V600



Step 1: Assemble the front module with the screen body. (This step is pre-assembled at the factory.)



Step 2: Insert the screen from the front into the pre-cut opening.



Step 3: Attach the clips from the back and secure with screws. (Up to 10 clips can be installed as needed or per positional limitations.)

Nextech AP Series 15.6" Android All-in-one Touch PC

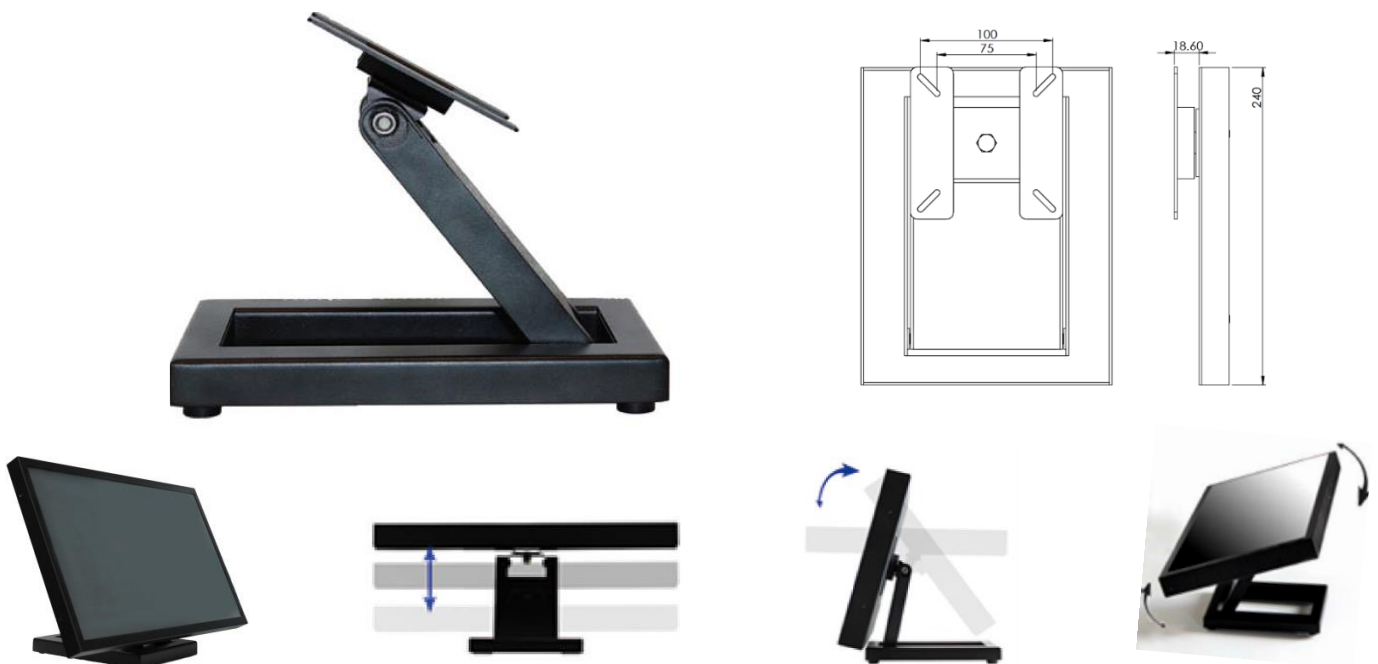
NTAP156-3-S8 V600

Desktop Stand (Option)

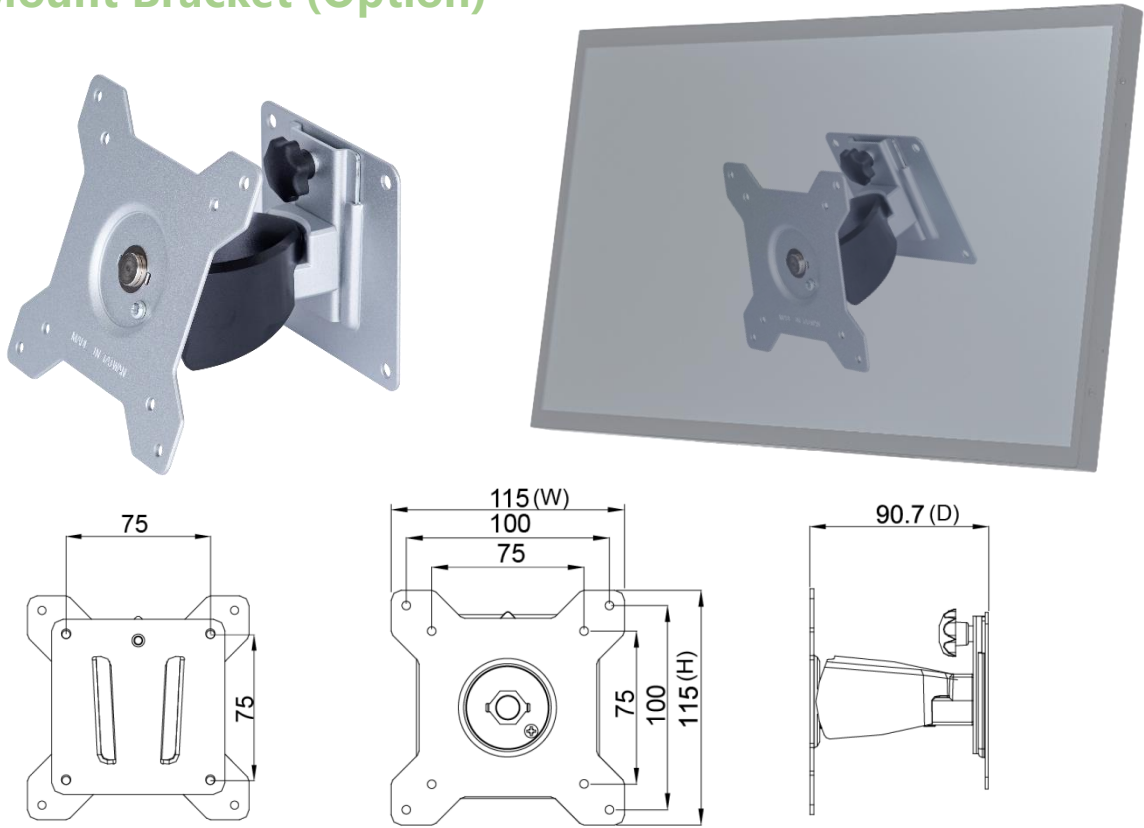
Item	B Stand	Part No.	DST-0B002/DST-1B002
Mounting Pattern	100x100 / 75x75 mm	Dimension (WxHxD)	203x275x227 mm
Material	Steel/Plastic/Aluminum	Net Weight	1.8 KG
Tilt (Hinge)	-2° ~ +180°	Support Max. Weight	15 KG



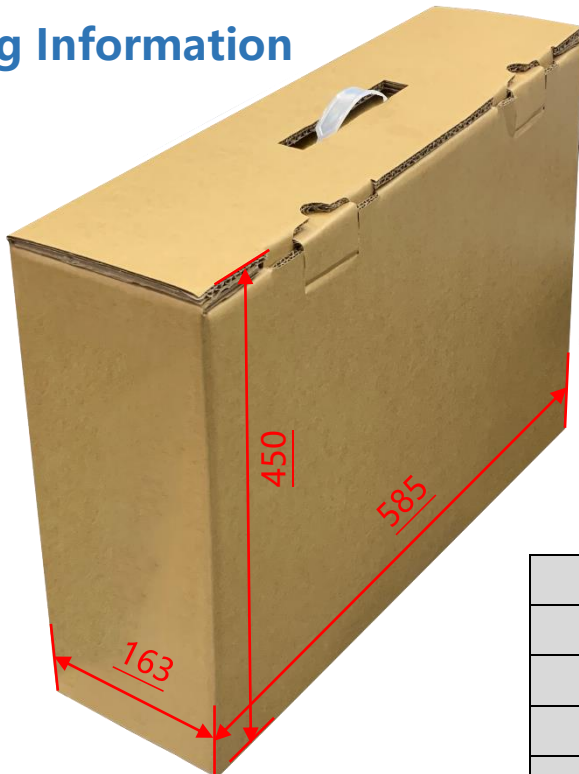
Item	Z Stand	Part No.	DST-0BZ01/DST-1BZ01
Mounting Pattern	100x100 / 75x75 mm	Dimension (WxHxD)	190x240x41.6
Material	SECC	Net Weight	2.6 KG
Tilt (Hinge)	±360°	Support Max. Weight	15 KG



Wall Mount Bracket (Option)



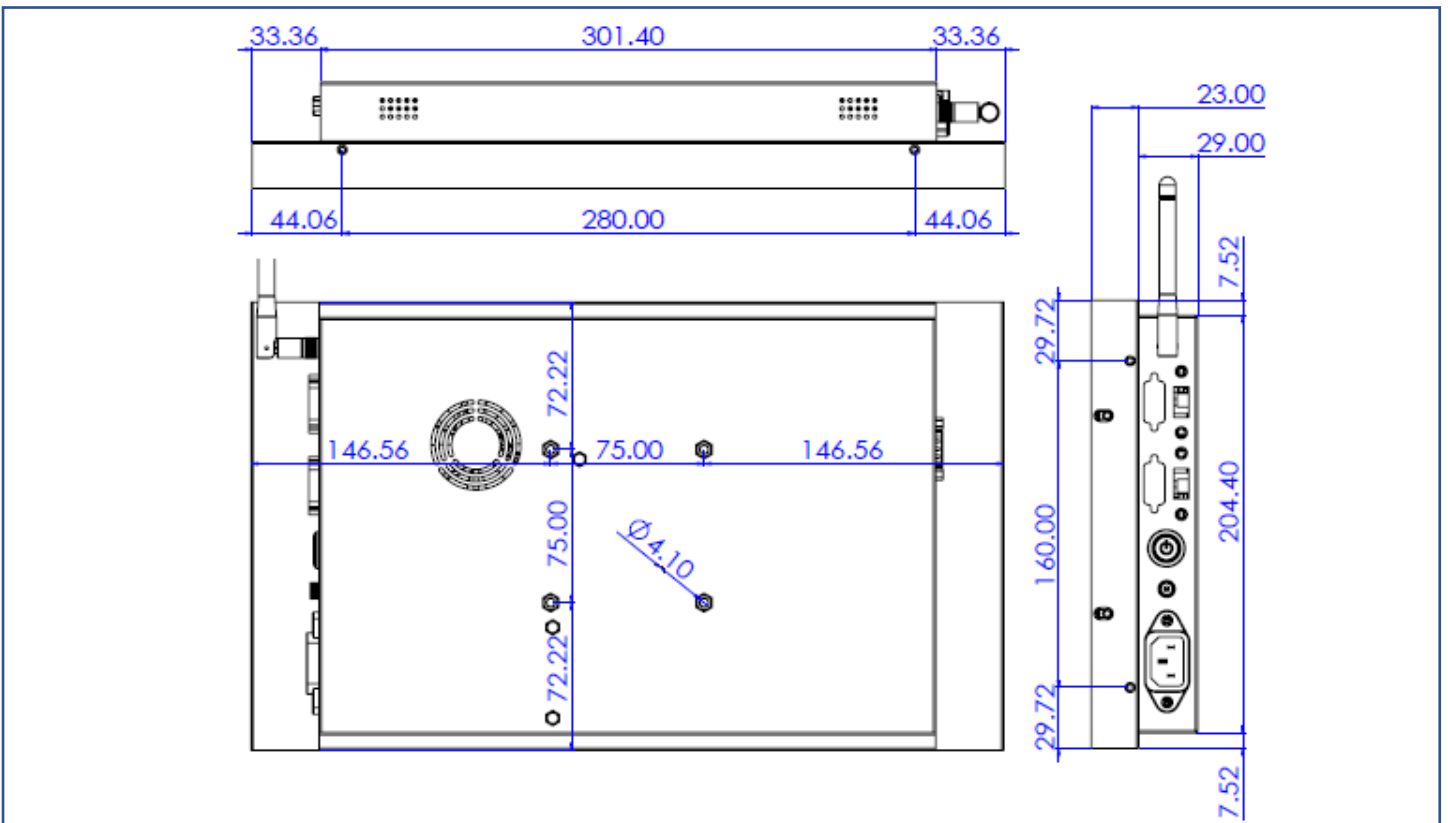
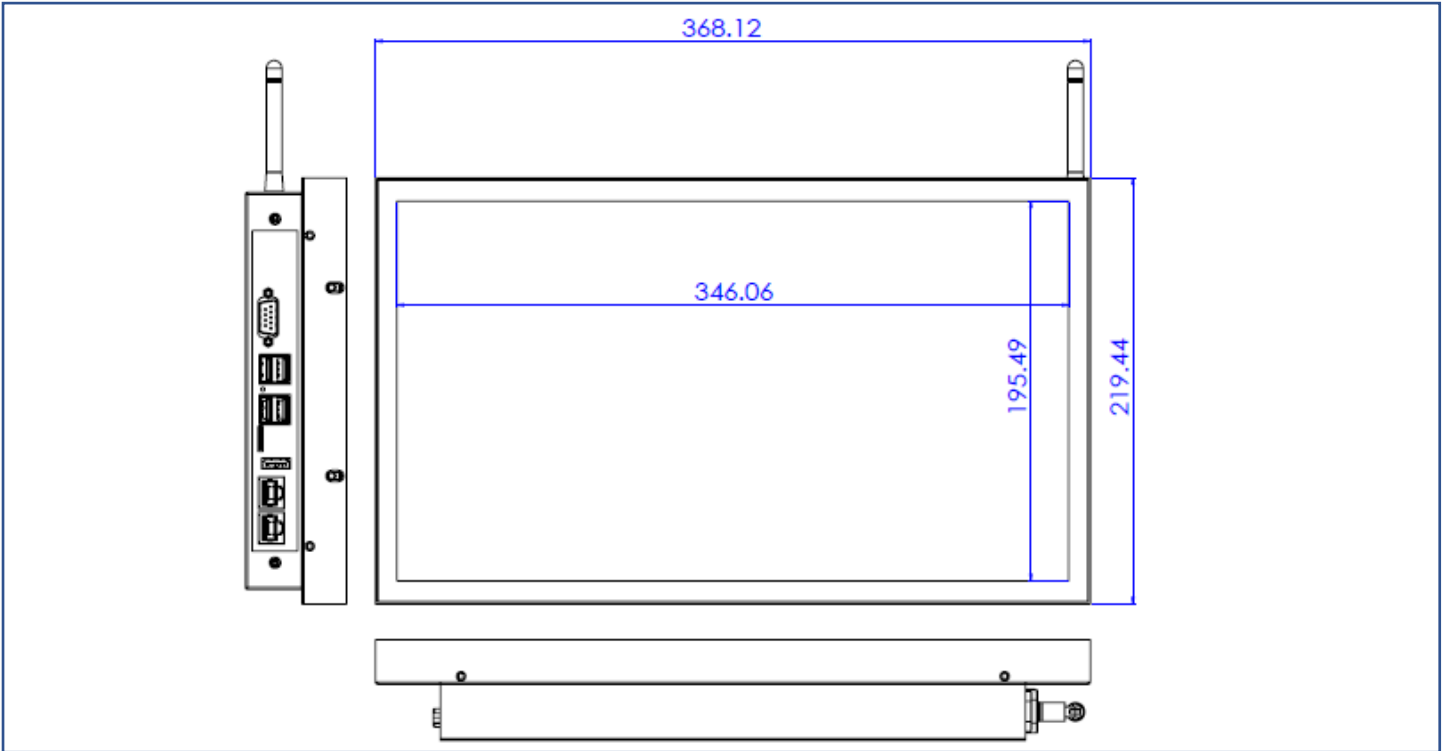
Packing Information



Unit Carton Size	585x163x450 mm
Unit N. Weight	≤3.0 KG
Unit G. Weight	≤5.0 KG
Units per Pallet	36 units
Pallet Size	120x100x147 CM

Physical Specifications

Dimension	368.12x219.44x52(±2)mm	Net Weight	3.0 KG
VESA Mounting	100x100 mm	Gross Weight	5.0 KG



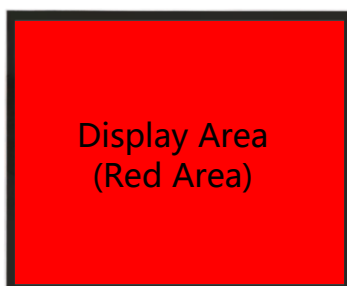
Cosmetic Inspection Standard

Display Area Allowance			
Defect description	Defective Specifications	Allowance	Remarks
Dot Defect (including dark dot, particles, bubbles, pits, dust, foreign matter)	$D \leq 0.2\text{mm}$	Ignored	D=Diameter
	$0.2 < D \leq 0.7\text{mm}$	$N \leq 5$	N=Quantity
	$0.7 < D \leq 1\text{mm}$	$N \leq 3$	
	$D > 1\text{mm}$	$N \leq 0$	
Linear Defect (including scratches, fluff, particles)	$W \leq 0.15\text{mm}$	Ignored	W=Width
	$0.15 < W \leq 0.5\text{mm}, L \leq 15\text{mm}$	$N \leq 2$	L=Length
	$W > 0.5\text{mm}$ or $L > 15\text{mm}$	NG	

* Visual inspection distance: 60cm, 90 degree (same for front/side/back)

Front Appearance Allowance (Including Coating)			
Defect description	Defective Specifications	Allowance	Remarks
Dot Defect (including particles, bubbles, pits...etc.)	$D \leq 0.7\text{mm}$	Ignored	D=Diameter
	$0.7 < D \leq 1.5\text{mm}$	$N \leq 3$	N=Quantity
	$D > 1.5\text{mm}$	$N \leq 0$	
Linear Defect (including scratches, fluff, particles)	$W \leq 0.2\text{mm}, L \leq 15\text{mm}$	Ignored	W=Width, L=Length
	$0.2 < W \leq 0.7\text{mm}, L \leq 15\text{mm}$	$N \leq 1$	
	$W > 0.7\text{mm}$ or $L > 15\text{mm}$	NG	

Side / Back Appearance Allowance (Including Coating)			
Defect description	Defective Specifications	Allowance	Remarks
Dot Defect (including particles, bubbles, pits...etc.)	$D \leq 1.5\text{mm}$	Ignored	D=Diameter
	$1.5 < D \leq 3\text{mm}$	$N \leq 8$	N=Quantity
	$D > 3\text{mm}$	$N \leq 2$	
Linear Defect (including scratches, fluff, particles)	$W \leq 0.8\text{mm}, L \leq 15\text{mm}$	Ignored	W=Width, L=Length
	$0.8 < W \leq 1.5\text{mm}, L \leq 15\text{mm}$	$N \leq 5$	
	$W > 1.5\text{mm}$ or $L > 15\text{mm}$	NG	



Display Area
(Red Area)



Front Appearance (Red Area)



Back Appearance