

# Product Specifications

<b>Customer</b>	
<b>Model</b>	<b>NTAP156-3-S5 V600</b>
<b>Model No.</b>	<b>NTAP156H<u>X3XX</u>-S5A54FB-<u>XXFX</u>-600</b>

\* X = A~Z, 0~9 (Depends on Options.)



Records of Revision			
Vision	Modifying	Old Description	New Description
v2601.1	Preliminary specification		

# Nextech AP Series 15.6" Android All-in-one Touch PC

**NTAP156-3-S5 V600**

## Features

- ★ 15.6 inch Wide Industrial Grade Panel, 1920x1080(FHD) Resolution
- ★ Viewing Angle Technology (178°/178°)
- ★ 1000nits High Brightness
- ★ Operating Temperature Range -30~85°C
- ★ Rock Chip ARM Cortex A55 RK3568 Quad-Core 2.0GHz CPU
- ★ On Board DDR4 4G Memory
- ★ On Board 32 Flash ROM
- ★ Micro SD Card Slot x1
- ★ Android 11
- ★ Narrow Bezel, True Flat Projected Capacitive Touch Screen
- ★ 7H Hardness Tempered Cover Glass
- ★ 10 points Multi-touch, Supports NEXTECH Dedicated Stylus
- ★ Metal Cabinet with Diverse Combine Options
- ★ Made in Taiwan, 3 Years Warranty, Designed for Harsh Environments
- ★ Optional AG Coating/Anti-UV/Antibacterial/Privacy Filter Surface Treatment



PSE



BSMI



RoHS



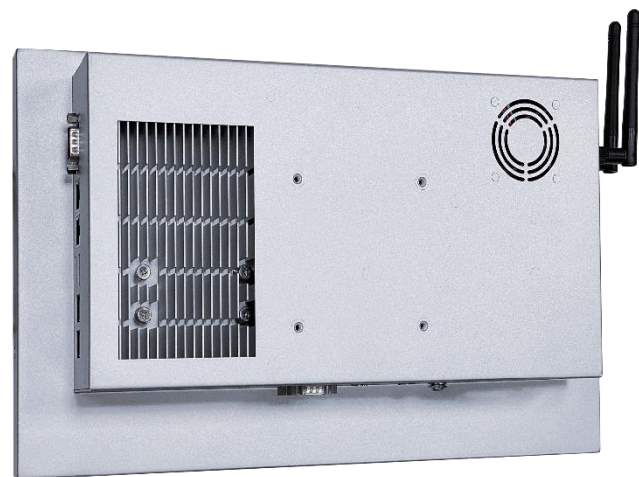
CE



ISO9001



FCC



Desktop Stand



Wall Mounting



Open-frame Brackets



Panel Mount

## System Specifications

CPU	Rock Chip ARM Cortex A55 RK3568 Quad-Core 2.0GHz
Memory	DDR4 4G
Storage	32G Flash ROM
Sound Chip	Realtek Audio HDA Codec
Physical Network	Realtek GbE LAN Chip (RJ45, 10/100/1000 Mbps)
Wireless Network	Wi Fi 2.4/5GHz and Bluetooth 4.2 (support BLE)
OS	Android 11

## Display Specifications

Screen Diagonal	15.6 inch	Display Mode	Normally Black
Display Area	344.2x193.6 mm	Backlight Unit	LED (white LED)
Resolution	1920x1080 (FHD)	Viewing Angle (L/R, U/D)	178°/178° (CR=10)
Contrast Ratio	1000:1	Response Time	25 msec.
Display Ratio	16:9	Backlight Lifetime	>50,000 Hours
Support Colors	16.7M Colors	Operating Temp.	-30~85°C
Pixel Pitch	0.17925x0.17925 mm	Storage Temp.	-30~85°C
Brightness	1000nits		

## Touch Options

Touch Screen		
	Description	Model Name
<b>Standard</b>	<b>Projected Capacitive Touch</b>	<b>NTAP156HP3XX-S5A54FB-XXFX-600</b>
Option 1	Resistive Touch	NTAP156H53XX-S5A54FB-XXFX-600
Option 2	Non-Touch	NTAP156H03XX-S5A54FB-XXFX-600

### Projected Capacitive Touch

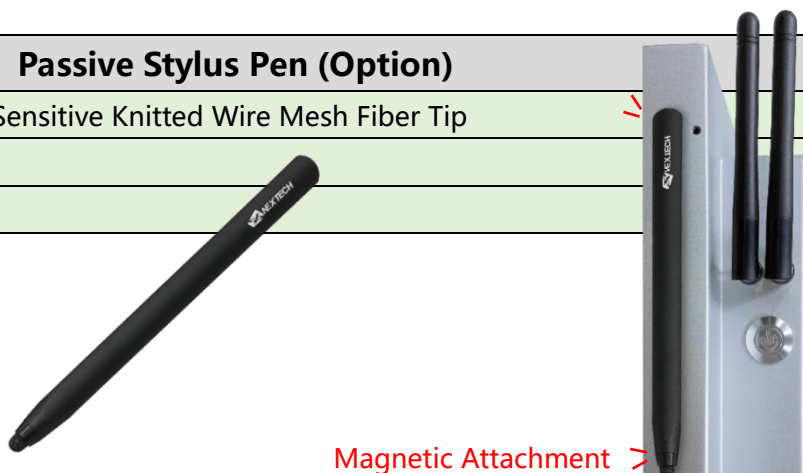
Allowed Touch Points	10 points	Thickness of Cover Lens	2.0±0.2mm
Transparency	≥87%	Hardness of Cover Lens	7H
Accuracy	99.00%	IK Ratings	IK07

### Resistive Touch

Allowed Touch Points	1 point	Transparency	Anti-glare<15%
Transparency	80%±5%	Surface Treatment	≥3H
Accuracy	98.50%	Hardness	

Surface Treatment		
	Description	Model Name
<b>Standard</b>	<b>(none)</b>	<b>NTAP156HX300-S5A54FB-XXFX-600</b>
Option 1	Anti-Glare&Anti-UV Coating	NTAP156HX3GG-S5A54FB-XXFX-600
Option 2	Antibacterial (AB Film)	NTAP156HX3AB-S5A54FB-XXFX-600
Option 3	Anti-Spy (AS Film)	NTAP156HX3SF-S5A54FB-XXFX-600
Option 3	Anti-Glare&Reflection&+UV cut+Anti-Fog (Moth Eye treatment)	NTAP156HX3MF-S5A54FB-XXFX-600

Passive Stylus Pen (Option)	
Technology	Passive High Sensitive Knitted Wire Mesh Fiber Tip
Size of tip	6mm
Magnetic Attachment	Yes



Magnetic Attachment >

## System Options

Material of Cabinet		
	Description	Model Name
<b>Standard</b>	<b>SECC</b>	<b>NTAP156HX3XX-S5A54FB-<u>S</u>XFX-600</b>
Option 1	Stainless Steel	NTAP156HX3XX-S5A54FB- <u>L</u> XFX-600
Option 2	Aluminum	NTAP156HX3XX-S5A54FB- <u>A</u> XFX-600

Color of Cabinet		
	Description	Model Name
<b>Standard</b>	<b>Silver</b>	<b>NTAP156HX3XX-S5A54FB-<u>X</u>SFX-600</b>
Option 1	White	NTAP156HX3XX-S5A54FB- <u>X</u> WFX-600
Option 2	Black	NTAP156HX3XX-S5A54FB- <u>X</u> BFX-600
Options	Other Colors	NTAP156HX3XX-S5A54FB- <u>X</u> XFX-600

\* X = A~Z, 0~9 (Depends on Color)

Power Input		
	Description	Model Name
<b>Standard</b>	<b>12VDC-in, with AC/DC Adapter</b>	<b>NTAP156HX3XX-S5A54FB-<u>XX</u>F<u>2</u>-600</b>
Option	100~240V AC, C14 AC Power Socket	NTAP156HX3XX-S5A54FB- <u>XX</u> F <u>A</u> -600

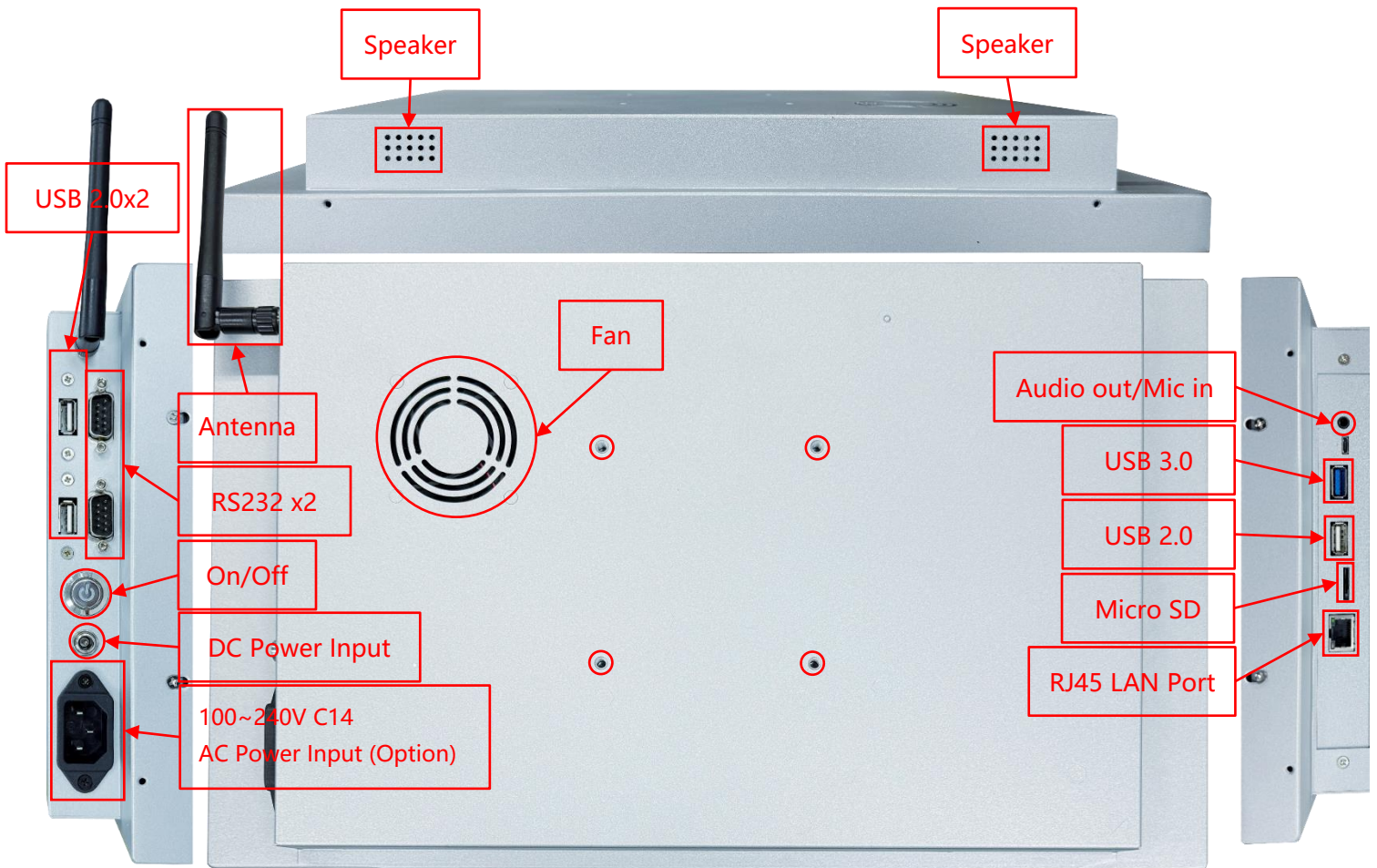


DC-in



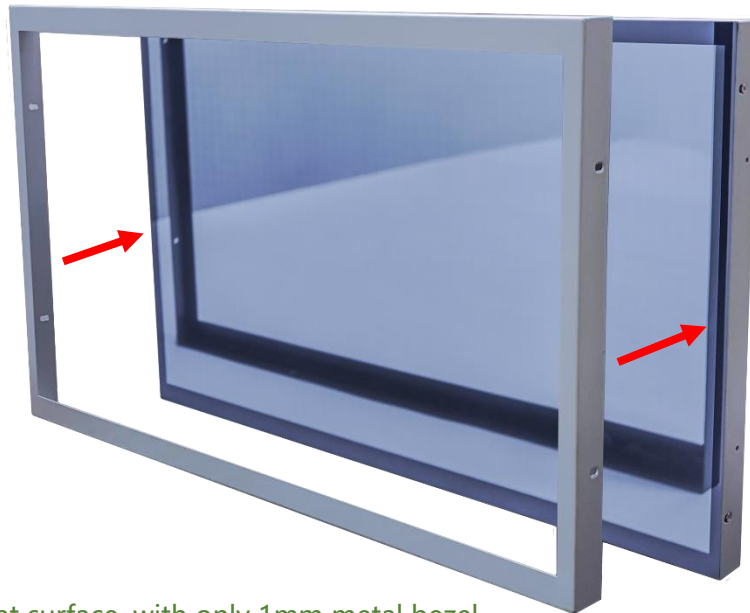
AC-in

## Input /Output System

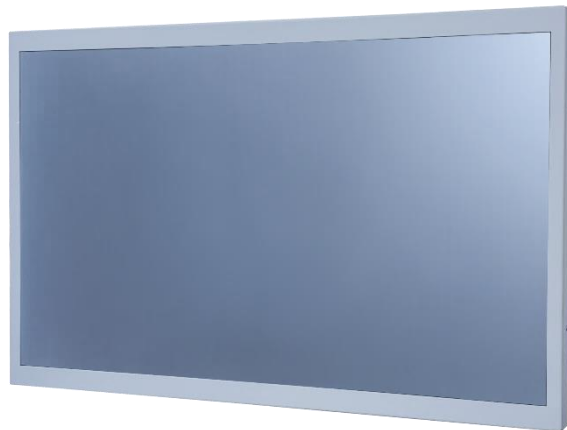


Input / Output	Connectors	Input / Output	Connectors
DC Power Input	1	Micro SD Card Slot	1
AC Power Input	Option	Audio Output /Mic Input (3.5mm)	1
USB 2.0	3	LAN (RJ45)	1
USB 3.0	1	Wi-Fi/Bluetooth & Antenna	1
RS232	2	Speakers	1W x2

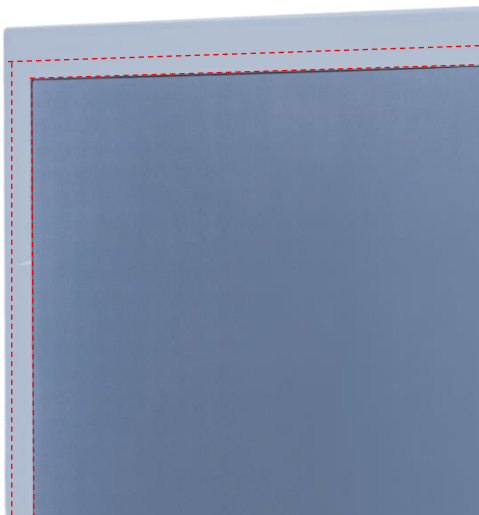
## Front Cover (Option)



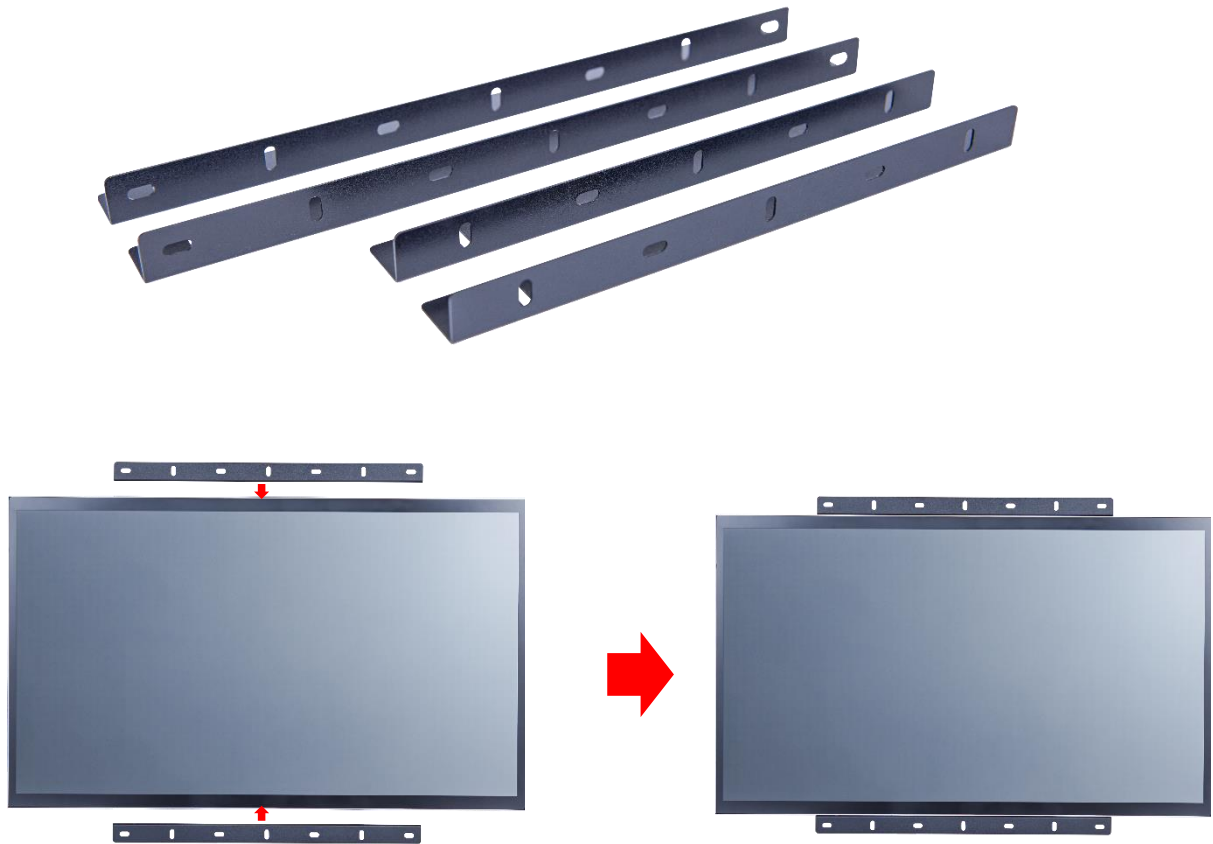
The standard **NTAP156** is true flat surface, with only 1mm metal bezel.  
To protect the corners of the touch screen, the **Front Cover** can be added.



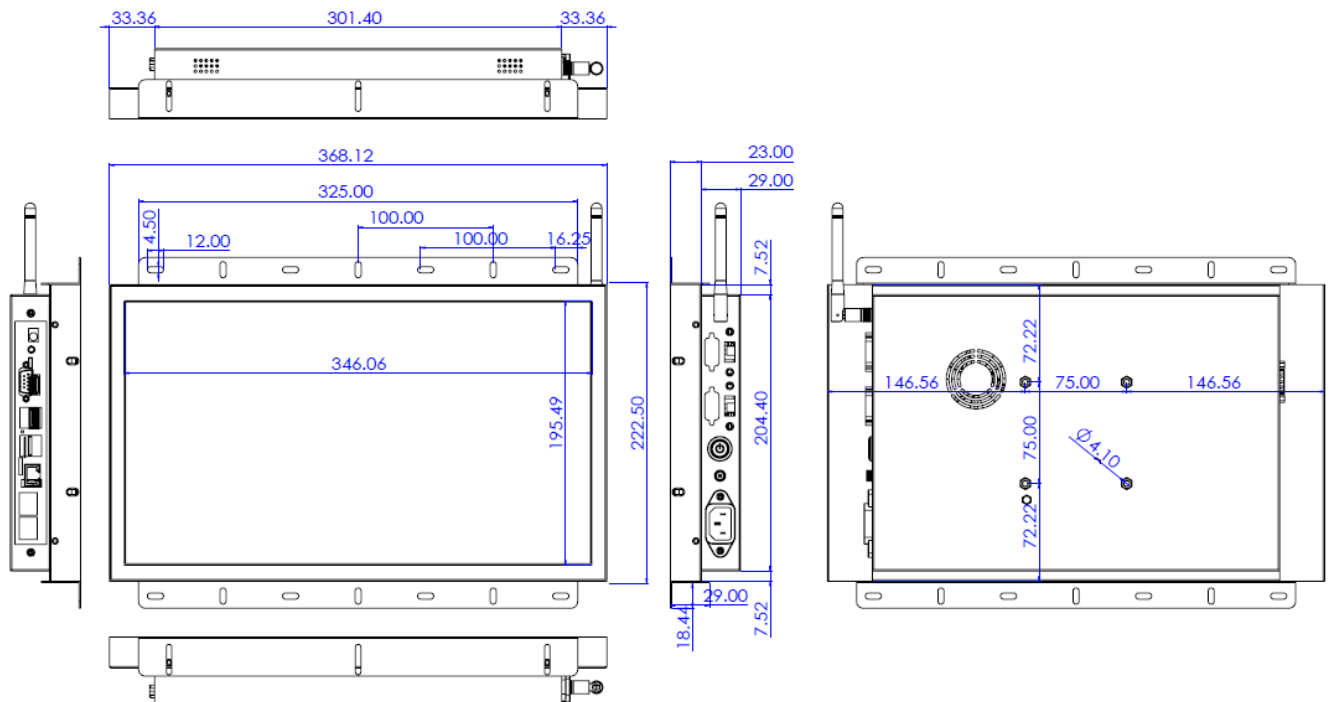
The watertight gasket can be added between the **Front Cover** and **NTAP156**.  
It complies **IP65** on front.



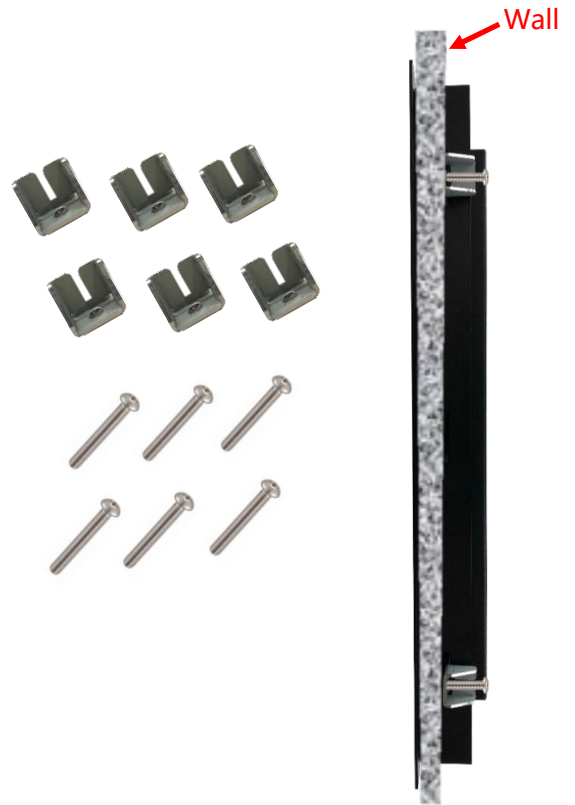
## Open-frame Brackets (Option)



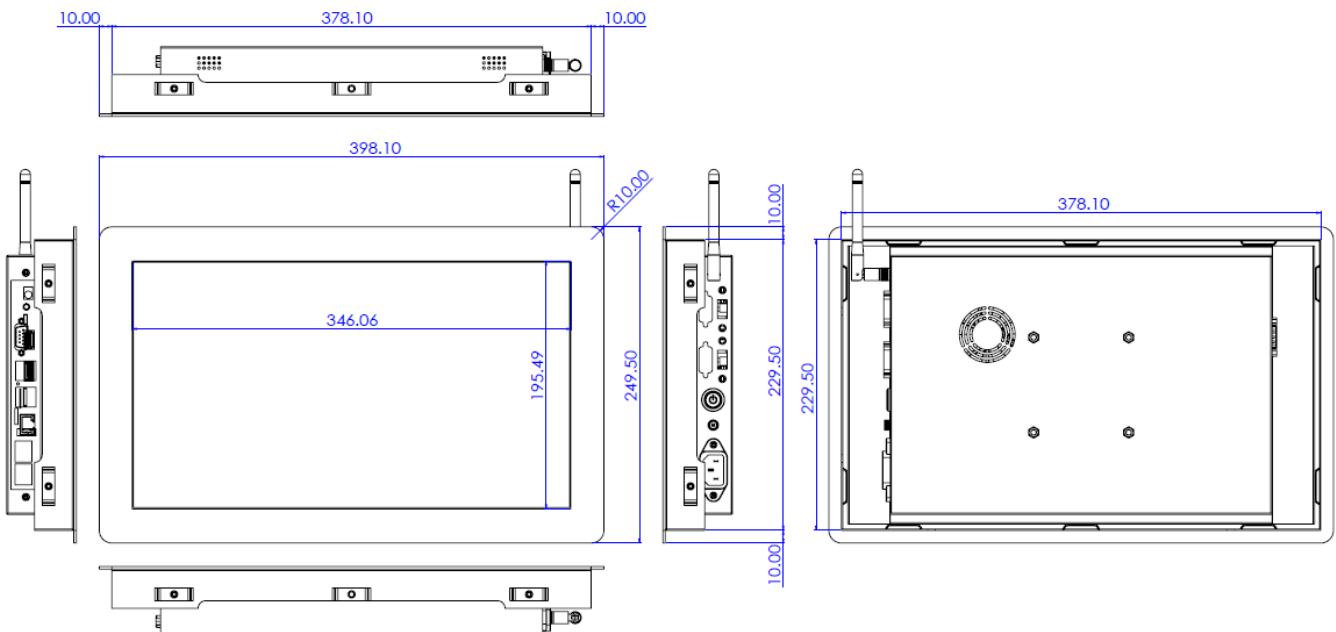
## Dimension for Installing with Open-frame Brackets



### Panel Mount Kits (Option)

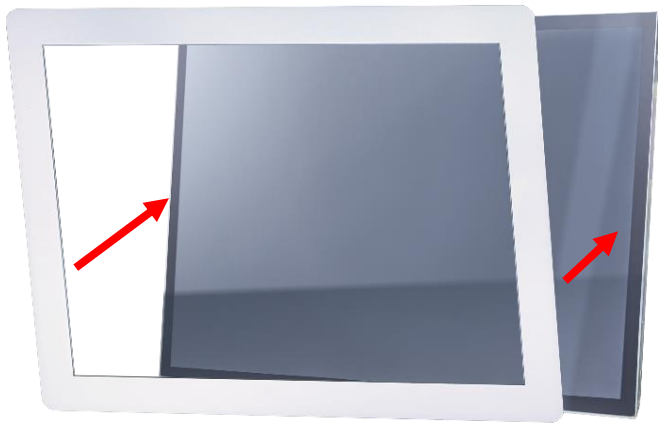


### Dimension for Installing with Panel Mount Kits

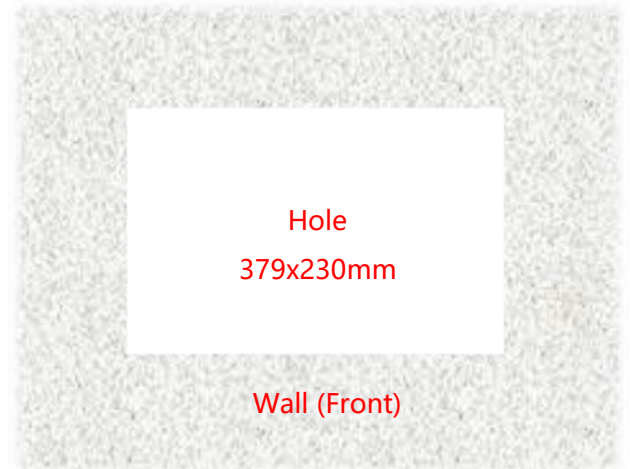


# Nextech AP Series 15.6" Android All-in-one Touch PC

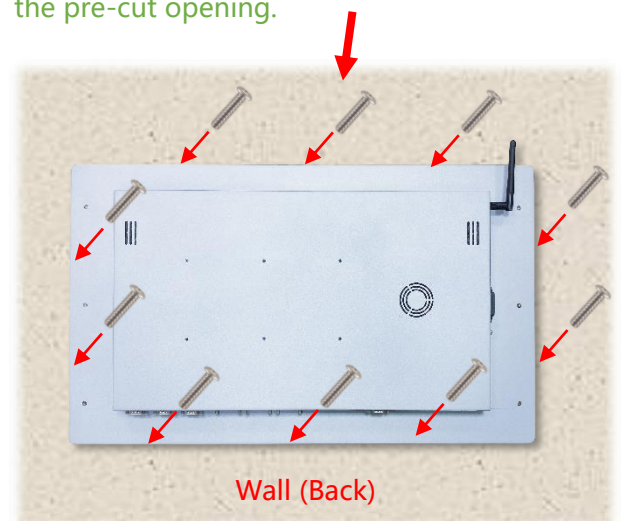
**NTAP156-3-S5 V600**



Step 1: Assemble the front module with the screen body. (This step is pre-assembled at the factory.)



Step 2: Insert the screen from the front into the pre-cut opening.



Step 3: Attach the clips from the back and secure with screws. (Up to 10 clips can be installed as needed or per positional limitations.)

# Nextech AP Series 15.6" Android All-in-one Touch PC

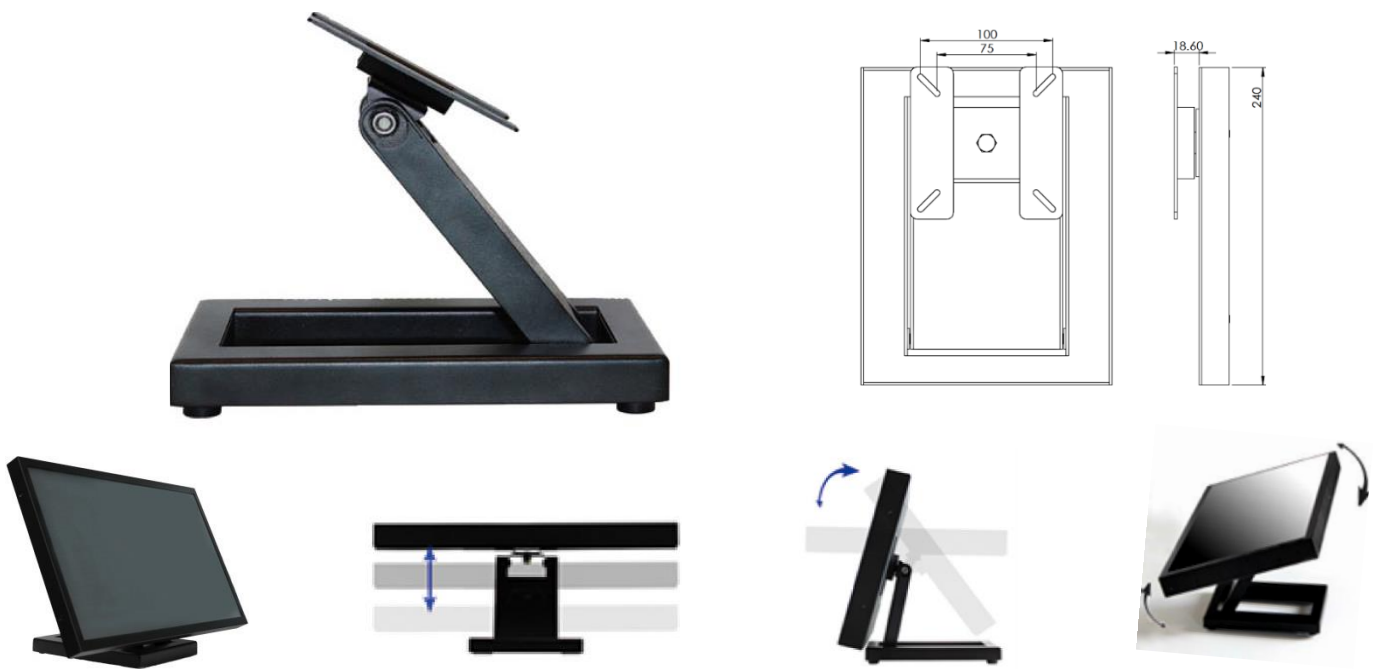
**NTAP156-3-S5 V600**

## Desktop Stand (Option)

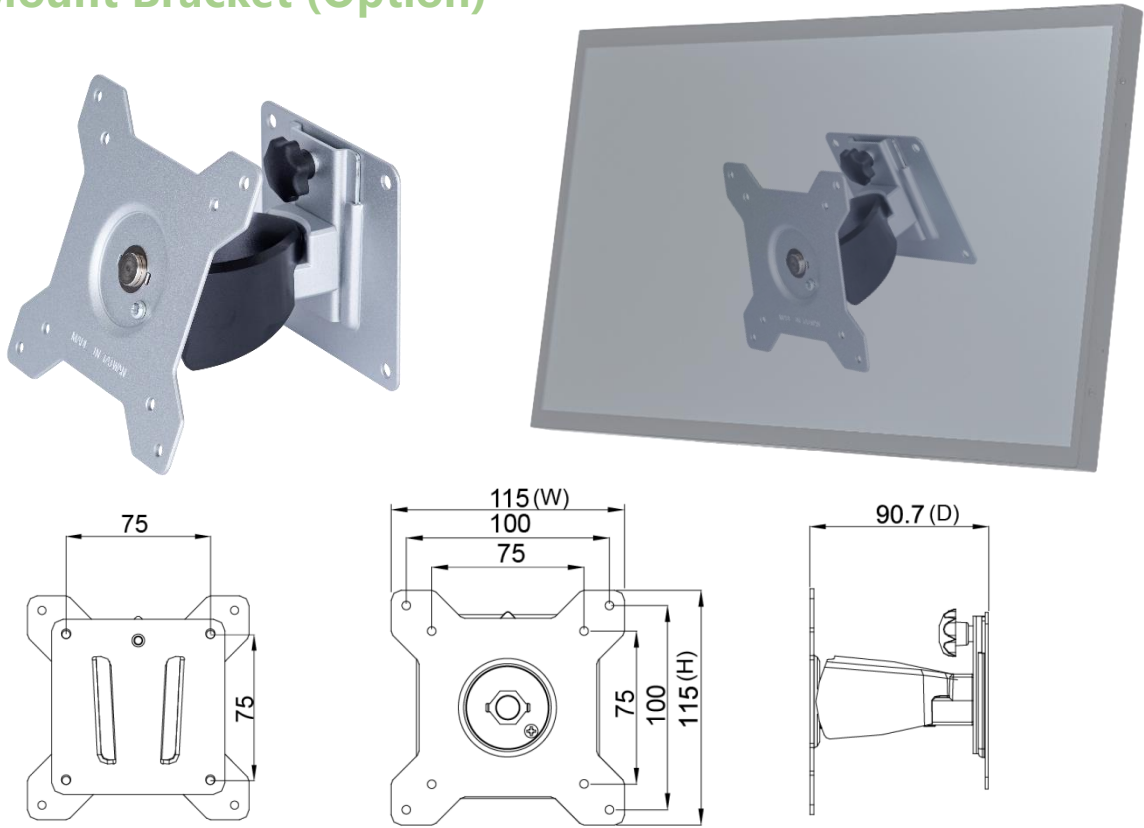
Item	B Stand	Part No.	DST-0B002/DST-1B002
Mounting Pattern	100x100 / 75x75 mm	Dimension (WxHxD)	203x275x227 mm
Material	Steel/Plastic/Aluminum	Net Weight	1.8 KG
Tilt (Hinge)	-2° ~ +180°	Support Max. Weight	15 KG



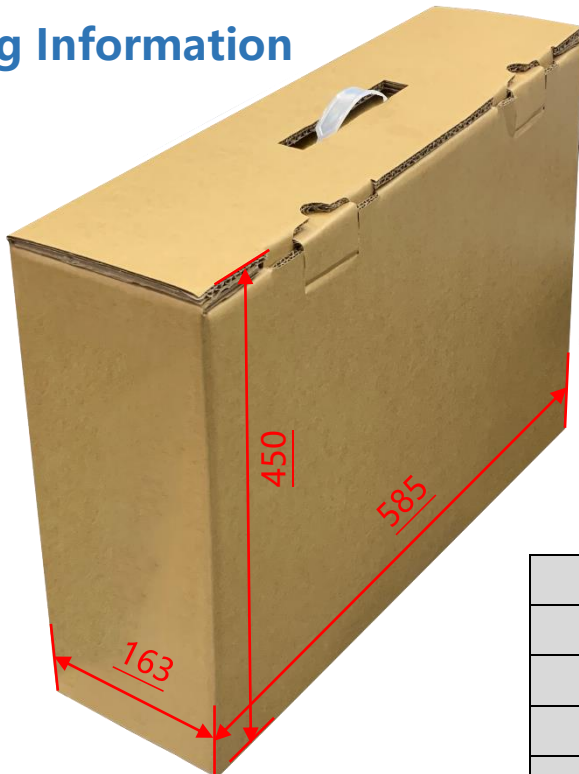
Item	Z Stand	Part No.	DST-0BZ01/DST-1BZ01
Mounting Pattern	100x100 / 75x75 mm	Dimension (WxHxD)	190x240x41.6
Material	SECC	Net Weight	2.6 KG
Tilt (Hinge)	±360°	Support Max. Weight	15 KG



### Wall Mount Bracket (Option)



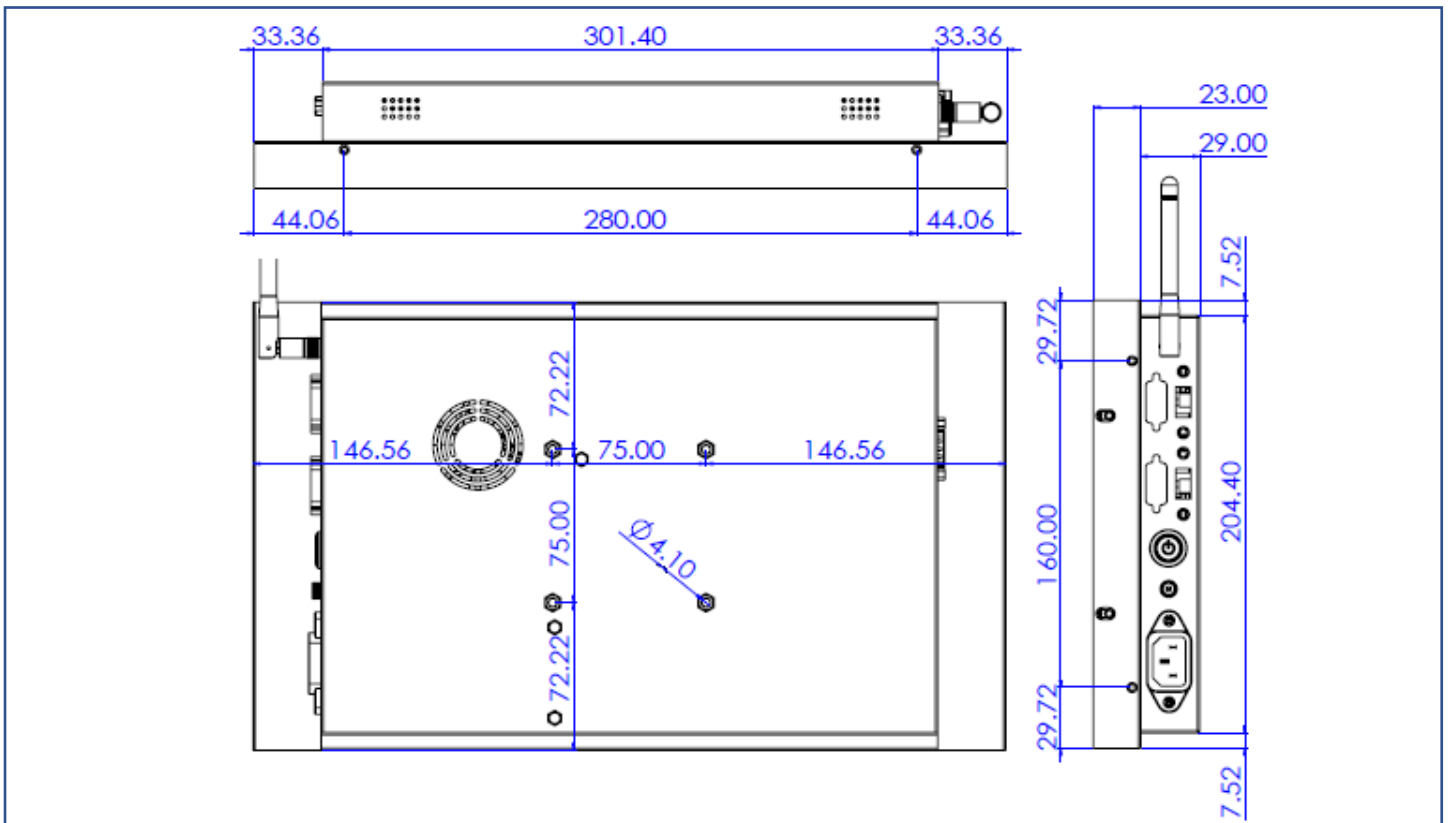
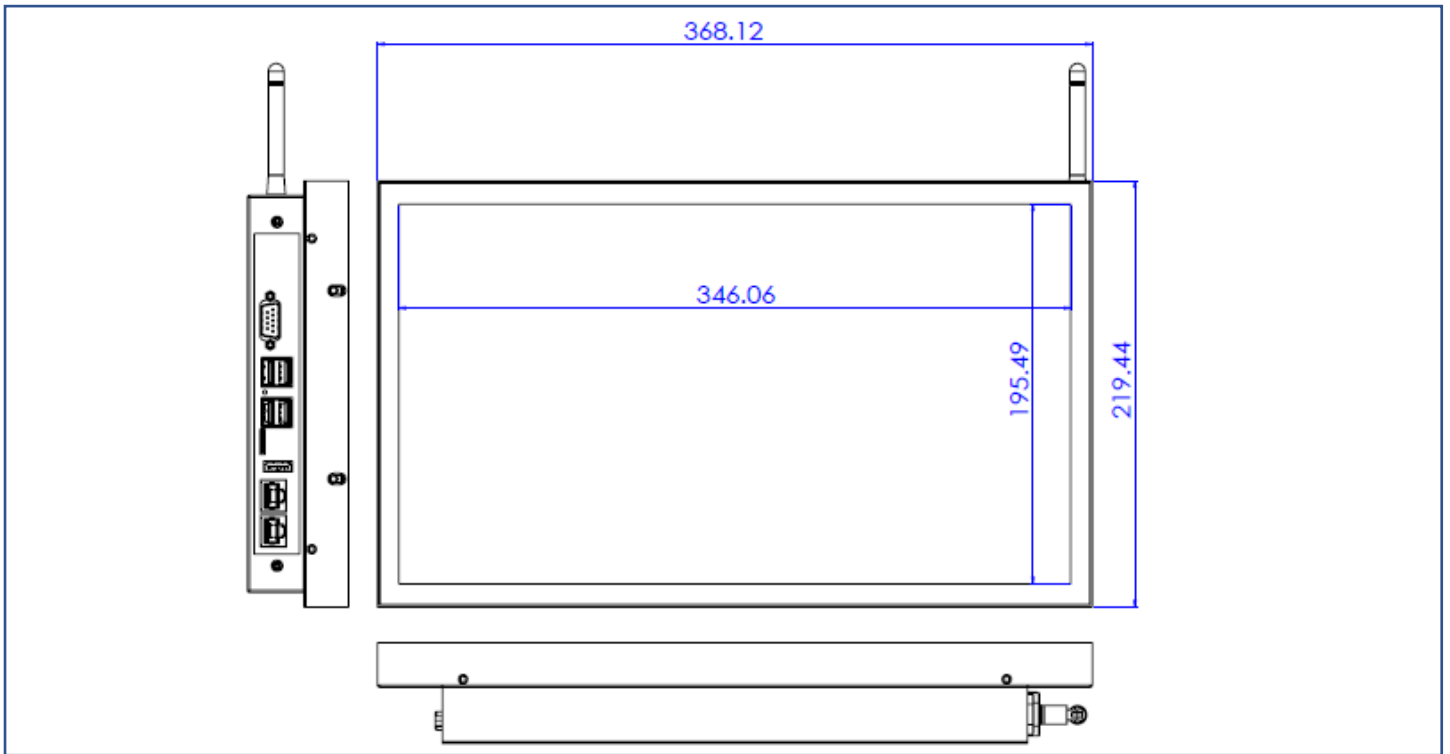
### Packing Information



Unit Carton Size	<b>585x163x450 mm</b>
Unit N. Weight	<b>≤3.0 KG</b>
Unit G. Weight	<b>≤5.0 KG</b>
Units per Pallet	<b>36 units</b>
Pallet Size	<b>120x100x147 CM</b>

## Physical Specifications

Dimension	<b>368.12x219.44x52(±2)mm</b>	Net Weight	<b>3.0 KG</b>
VESA Mounting	<b>100x100 mm</b>	Gross Weight	<b>5.0 KG</b>



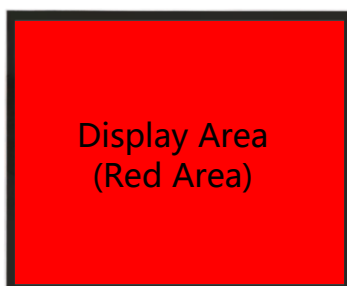
## Cosmetic Inspection Standard

Display Area Allowance			
Defect description	Defective Specifications	Allowance	Remarks
Dot Defect (including dark dot, particles, bubbles, pits, dust, foreign matter)	$D \leq 0.2\text{mm}$	Ignored	D=Diameter
	$0.2 < D \leq 0.7\text{mm}$	$N \leq 5$	N=Quantity
	$0.7 < D \leq 1\text{mm}$	$N \leq 3$	
	$D > 1\text{mm}$	$N \leq 0$	
Linear Defect (including scratches, fluff, particles)	$W \leq 0.15\text{mm}$	Ignored	W=Width
	$0.15 < W \leq 0.5\text{mm}, L \leq 15\text{mm}$	$N \leq 2$	L=Length
	$W > 0.5\text{mm}$ or $L > 15\text{mm}$	NG	

\* Visual inspection distance: 60cm, 90 degree (same for front/side/back)

Front Appearance Allowance (Including Coating)			
Defect description	Defective Specifications	Allowance	Remarks
Dot Defect (including particles, bubbles, pits...etc.)	$D \leq 0.7\text{mm}$	Ignored	D=Diameter
	$0.7 < D \leq 1.5\text{mm}$	$N \leq 3$	N=Quantity
	$D > 1.5\text{mm}$	$N \leq 0$	
Linear Defect (including scratches, fluff, particles)	$W \leq 0.2\text{mm}, L \leq 15\text{mm}$	Ignored	W=Width, L=Length
	$0.2 < W \leq 0.7\text{mm}, L \leq 15\text{mm}$	$N \leq 1$	
	$W > 0.7\text{mm}$ or $L > 15\text{mm}$	NG	

Side / Back Appearance Allowance (Including Coating)			
Defect description	Defective Specifications	Allowance	Remarks
Dot Defect (including particles, bubbles, pits...etc.)	$D \leq 1.5\text{mm}$	Ignored	D=Diameter
	$1.5 < D \leq 3\text{mm}$	$N \leq 8$	N=Quantity
	$D > 3\text{mm}$	$N \leq 2$	
Linear Defect (including scratches, fluff, particles)	$W \leq 0.8\text{mm}, L \leq 15\text{mm}$	Ignored	W=Width, L=Length
	$0.8 < W \leq 1.5\text{mm}, L \leq 15\text{mm}$	$N \leq 5$	
	$W > 1.5\text{mm}$ or $L > 15\text{mm}$	NG	



Display Area  
(Red Area)



Front Appearance (Red Area)



Back Appearance