

Product Specifications

Customer	
Model	NTAP070-3-S8 V600
Model No.	NTAP070H<u>X3XX</u>-S8R88FC-<u>XX</u>02-600

* X = A-Z, 0-9 (Varies by options)



Records of Revision			
Vision	Vision	Vision	Vision
v2606.1	Initial release		

Key Features

- ★ 7 inch Industrial LCD Panel, 800x480 Resolution
- ★ 1500nits high brightness
- ★ Wide viewing angle 178°/178°
- ★ Wide-temperature LCD panel, operating temperature -30-80°C
- ★ Rockchip RK3588, 4*Cortex-A76 + 4*Cortex-A55
- ★ On Board DDR4 8G Memory
- ★ On Board 64 Flash ROM
- ★ Android 14
- ★ PCAP touch screen
- ★ 7H Hardness tempered cover glass
- ★ 10-point multi-touch , supports Nextech stylus
- ★ Metal housing with multiple mounting options
- ★ Made in Taiwan, 3-year warranty, designed for harsh environments
- ★ Optional Privacy filter or antimicrobial surface treatment



PSE



BSMI



RoHS



CE



ISO9001



FCC



Desktop Stand



Wall Mounting



Open-frame Bracket



Panel Mount

System Specifications

CPU	Rock Chip ARM RK3588, 4*Cortex-A76 + 4*Cortex-A55
Memory	DDR4 8G
Storage	64G Flash ROM
Sound Chip	ES8336 Audio HDA codec
Physical Network	1. Realtek RTL8211F GbE Ethernet Controller Realtek RTL8211H GbE Ethernet Controller
Wireless Network	2.4GHz/5GHz WIFI+ Bluetooth 5.3
OS	Android 14

Display Specifications

Screen Diagonal	117.8 mm (7.0 inch)	Display Mode	Normally Black
Active Area	152.4x91.44 mm	Backlight Unit	White LED
Resolution	800x480	Viewing Angle (L/R, U/D)	178°/178° (CR≥10)
Contrast Ratio	1000:1	Backlight Lifetime	>100,000 Hours
Colors	16.7M Colors	Operating Temp.	-30~80°C
Pixel Pitch	0.1905x0.1905 mm	Storage Temp.	-40~90°C
Response Time	25 msec.	Brightness	1500 nits

Touch Options

Configuration	Specification	Ordering Information
Standard	Projected Capacitive Touch	NTAP070H<u>P</u>3XX-S8R88FC-XX02-600
Optional	No touch	NTAP070H <u>0</u> 3XX-S8R88FC-XX02-600

PCAP Touch Specifications

Allowed Touch Points	10 points	Thickness of Cover Lens	2.0±0.2mm
Transparency	≥87%	Hardness of Cover Lens	7H
Accuracy	99.00%	IK Ratings	IK07

Surface Treatment Options

Configuration	Specification	Ordering Information
Standard	Glare Type	NTAP070HX3<u>00</u>-S8R88FC-XX02-600
Optional	Anti-Glare & UV-resistant Coating	NTAP070HX3 <u>GG</u> -S8R88FC-XX02-600
Optional	Antibacterial (AB Film)	NTAP070HX3 <u>AB</u> -S8R88FC-XX02-600
Optional	Privacy filter (AS Film)	NTAP070HX3 <u>SF</u> -S8R88FC-XX02-600

Housing Options

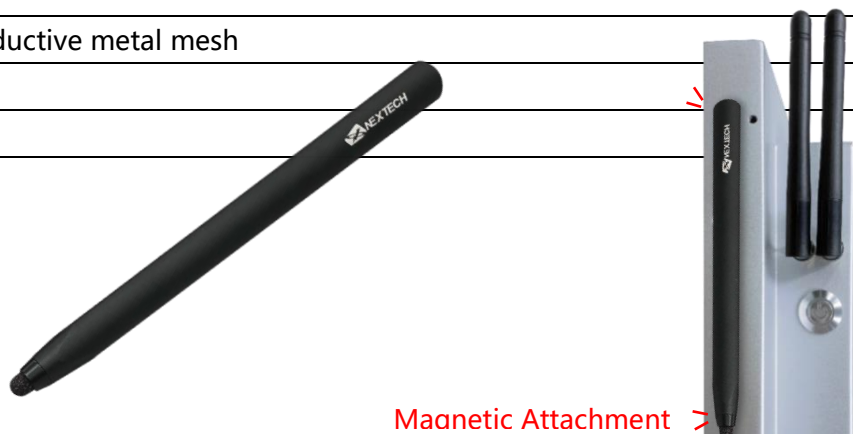
Housing Material		
Configuration	Specification	Ordering Information
Standard	SECC	NTAP070HX3XX-S8R88FC- S X02-600
Optional	Stainless Steel	NTAP070HX3XX-S8R88FC- L X02-600
Optional	Aluminum	NTAP070HX3XX-S8R88FC- A X02-600

Housing Color		
Configuration	Specification	Ordering Information
Standard	Silver	NTAP070HX3XX-S8R88FC- X S02-600
Optional	White	NTAP070HX3XX-S8R88FC- X W02-600
Optional	Black	NTAP070HX3XX-S8R88FC- X B02-600
Optional	Custom Color	NTAP070HX3XX-S8R88FC- X X02-600

* **X** = A~Z, 0~9 (Varies by Color)

Nextech Stylus Option

Tip	Passive conductive metal mesh
Tip Diameter	6mm
Magnetic Attachment	Yes



Magnetic Attachment >

Optional Mounting Accessories

	Accessories	Description
Optional	Desktop stand	For desktop use
Optional	Panel mount kit	For front mounting into kiosks, cabinets, or equipment panels.
Optional	Open-frame brackets	For rear mounting installation inside kiosks, cabinets, or equipment panels.
Optional	Wall Mount Bracket	For wall mounting

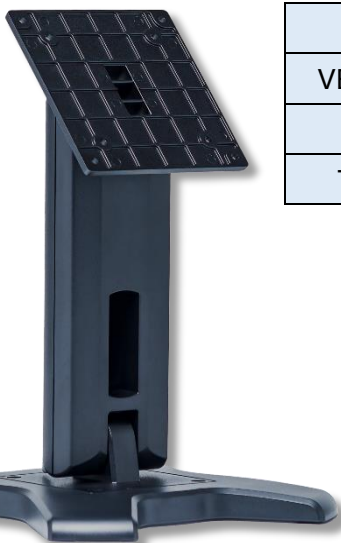
Desktop Stand Type L (Optional)



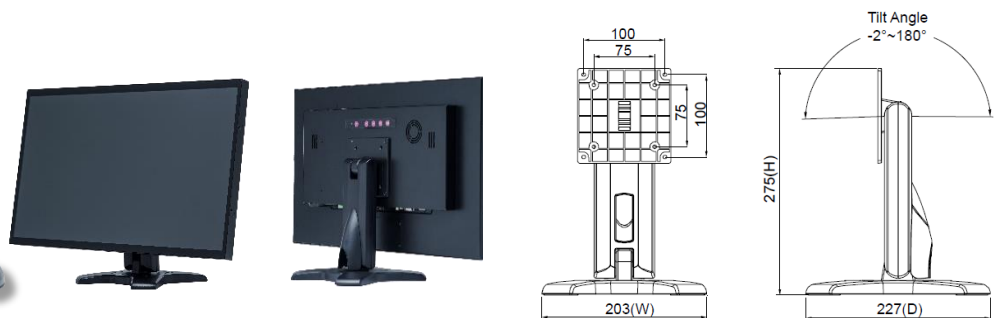
Item	L Stand	Model	DST-0B004/DST-1B004
VESA Mount	100x100 / 75x75 mm	Dimensions	194x194x222 mm
Material	SECC	Net Weight	1.4 kg
Tilt Angle	105°	Load Capacity	15 kg



Desktop Stand Type B (Optional)



Item	B Stand	Model	DST-0B002/DST-1B002
VESA Mount	100x100 / 75x75 mm	Dimensions	203x275x227 mm
Material	Steel/Plastic/Aluminum	Net Weight	1.8 kg
Tilt Angle	-2° ~+180°	Load Capacity	15 kg



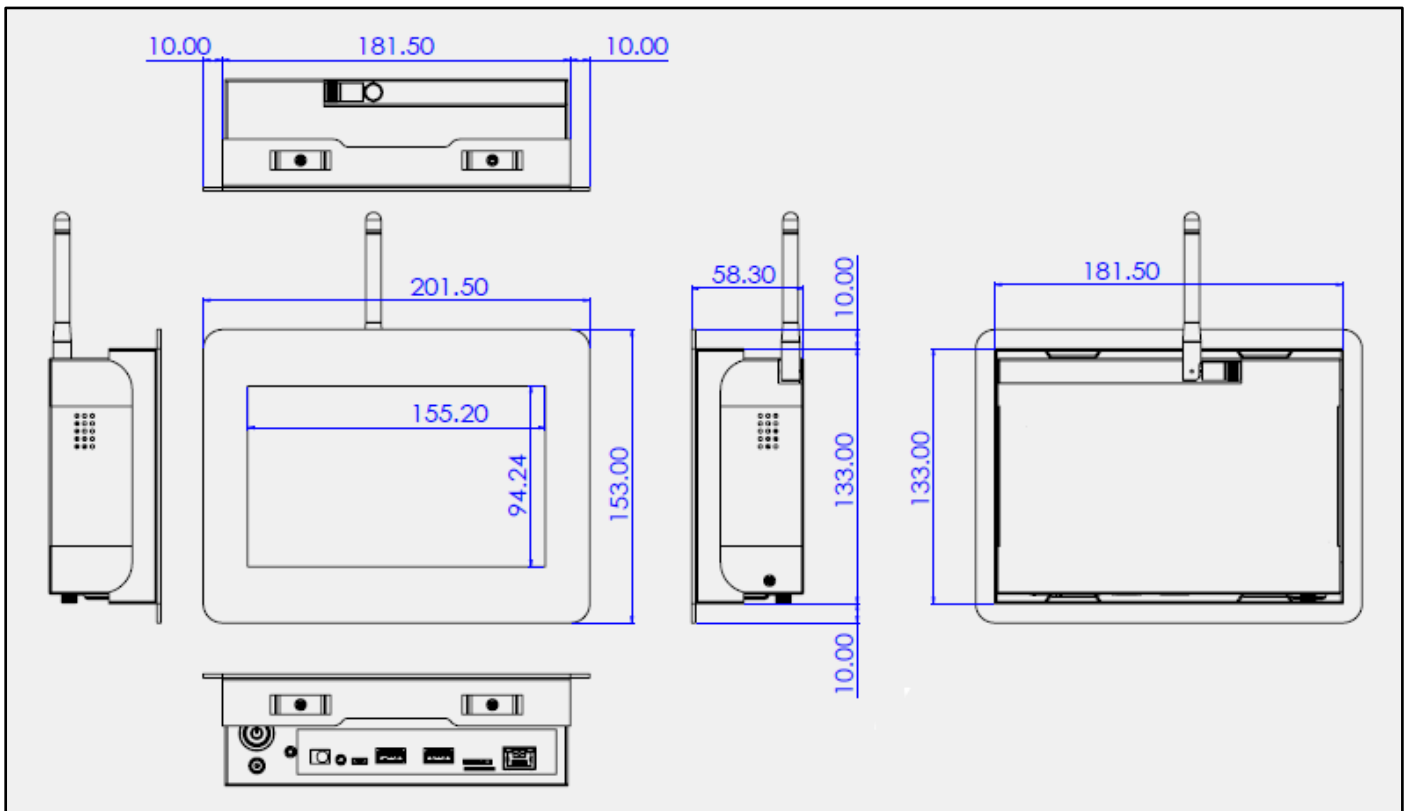
Nextech AP Series 7" Android All-in-one Industrial Touch PC

NTAP070-3-S8 V600

Panel Mount Kits (Option)



Panel Mount Installation Dimensions

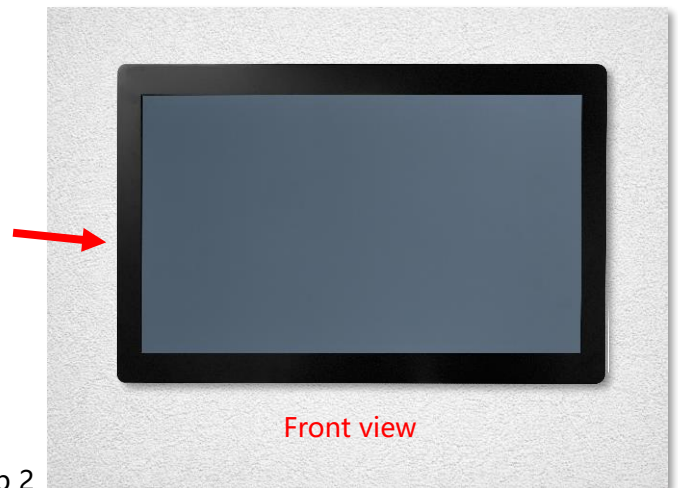
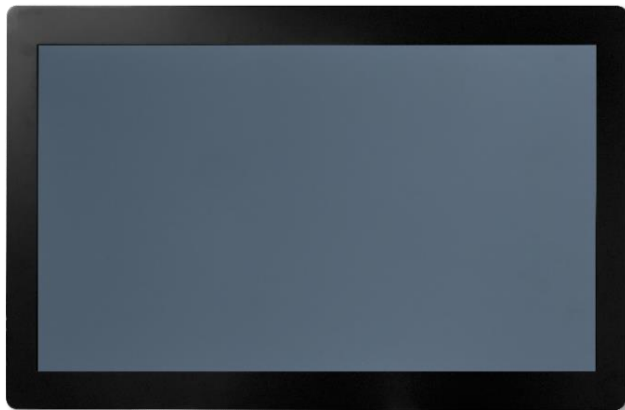
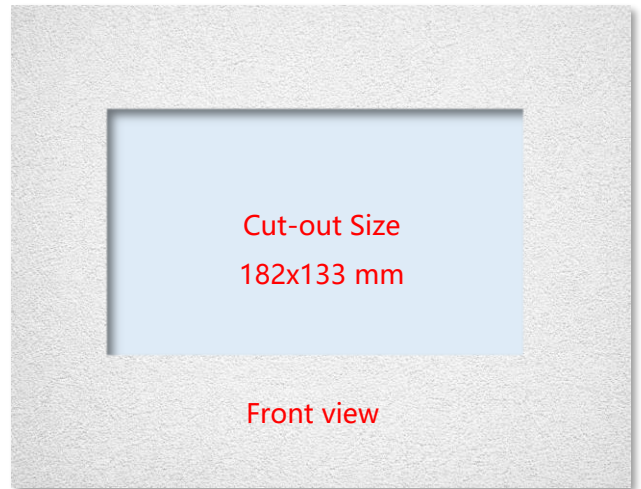


Nextech AP Series 7" Android All-in-one Industrial Touch PC

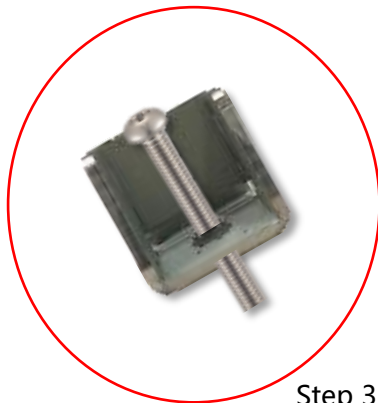
NTAP070-3-S8 V600



Step 1
Assemble the front module with the display unit.
(This step is pre-assembled at Nextech's factory.)

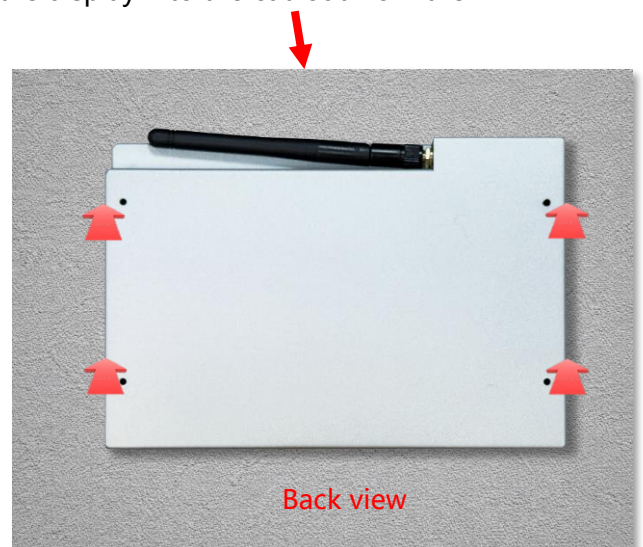


Step 2
Insert the display into the cut-out from the front.



Step 3

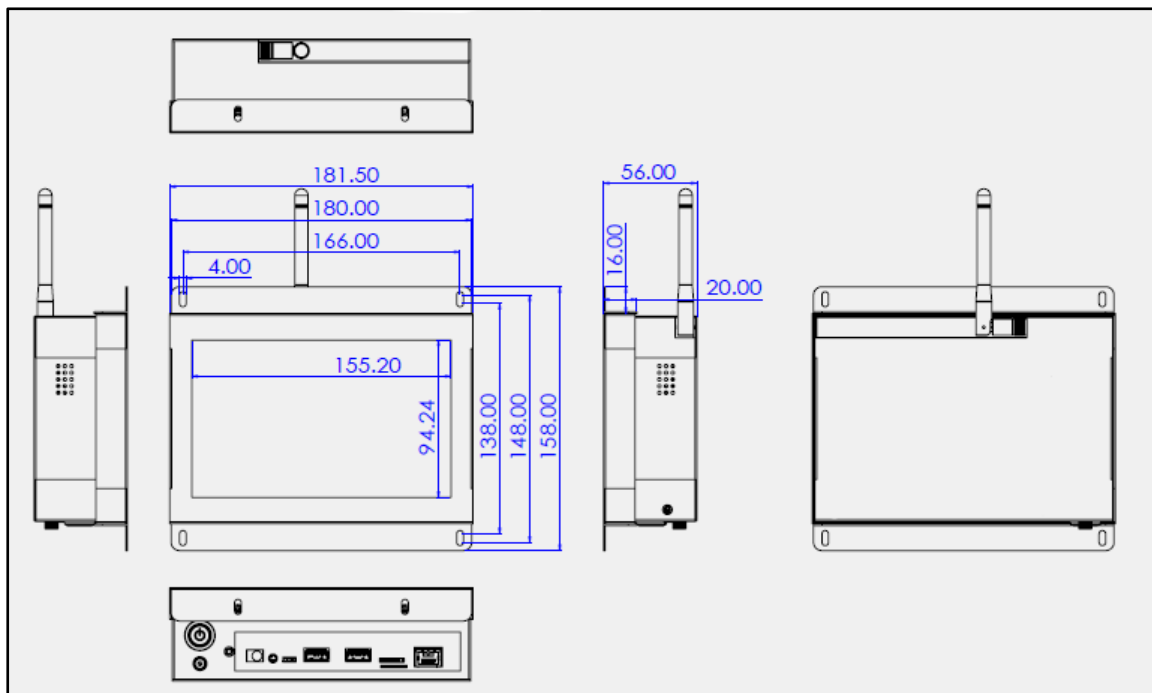
Install the mounting clips from the rear side and secure them with screws.



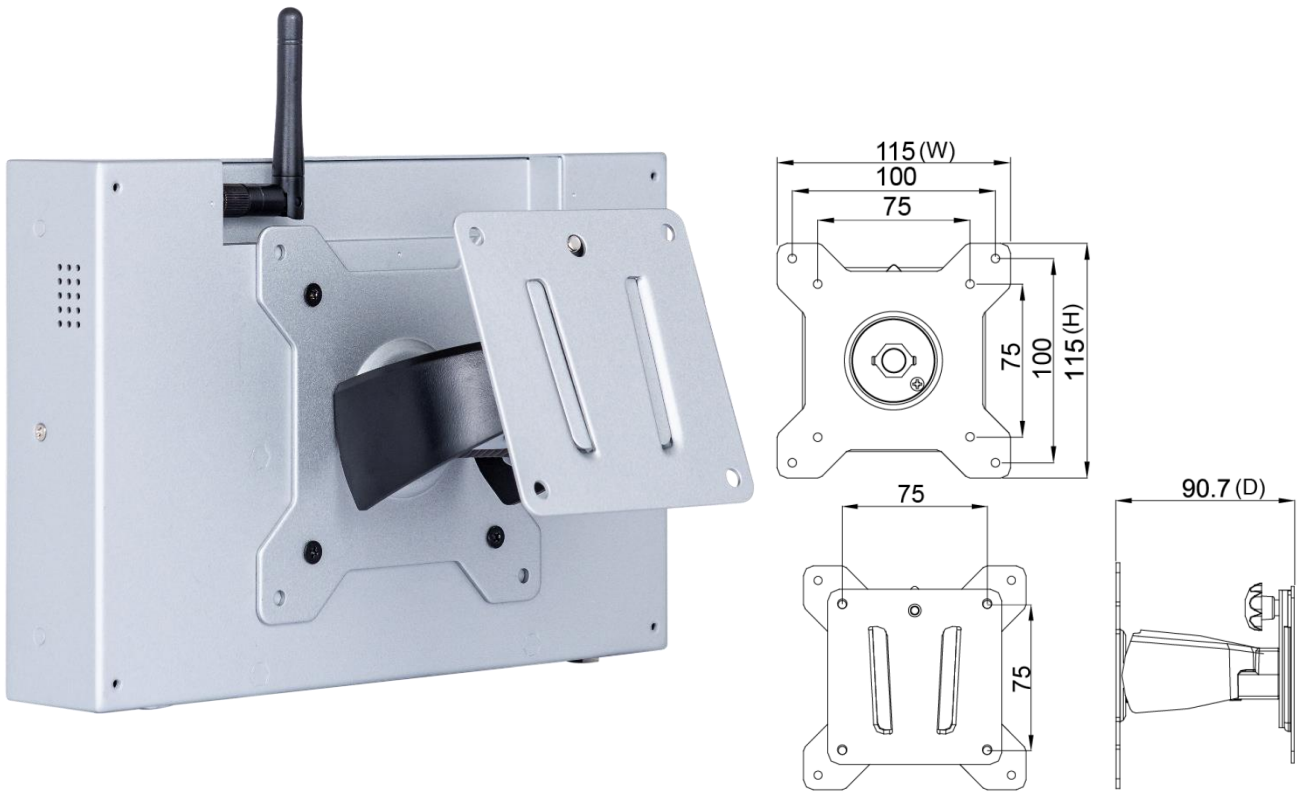
Open-frame Brackets (Optional)



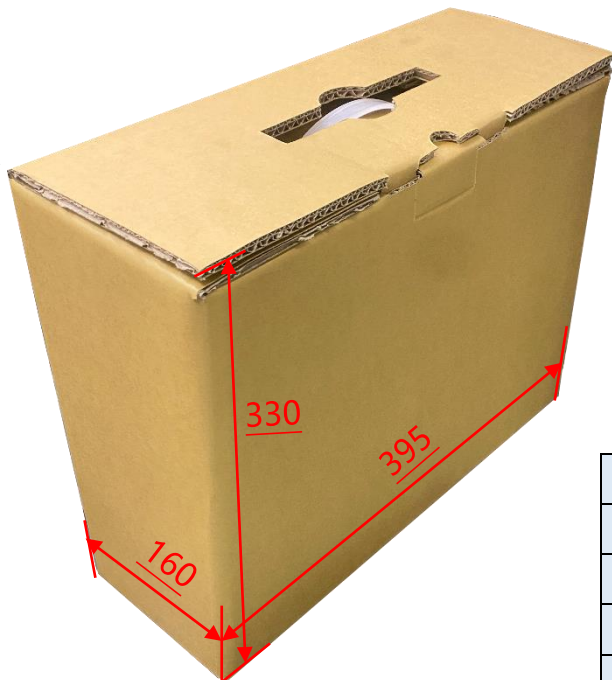
Open-frame Bracket Installation Dimensions



Wall Mount Bracket (Optional)

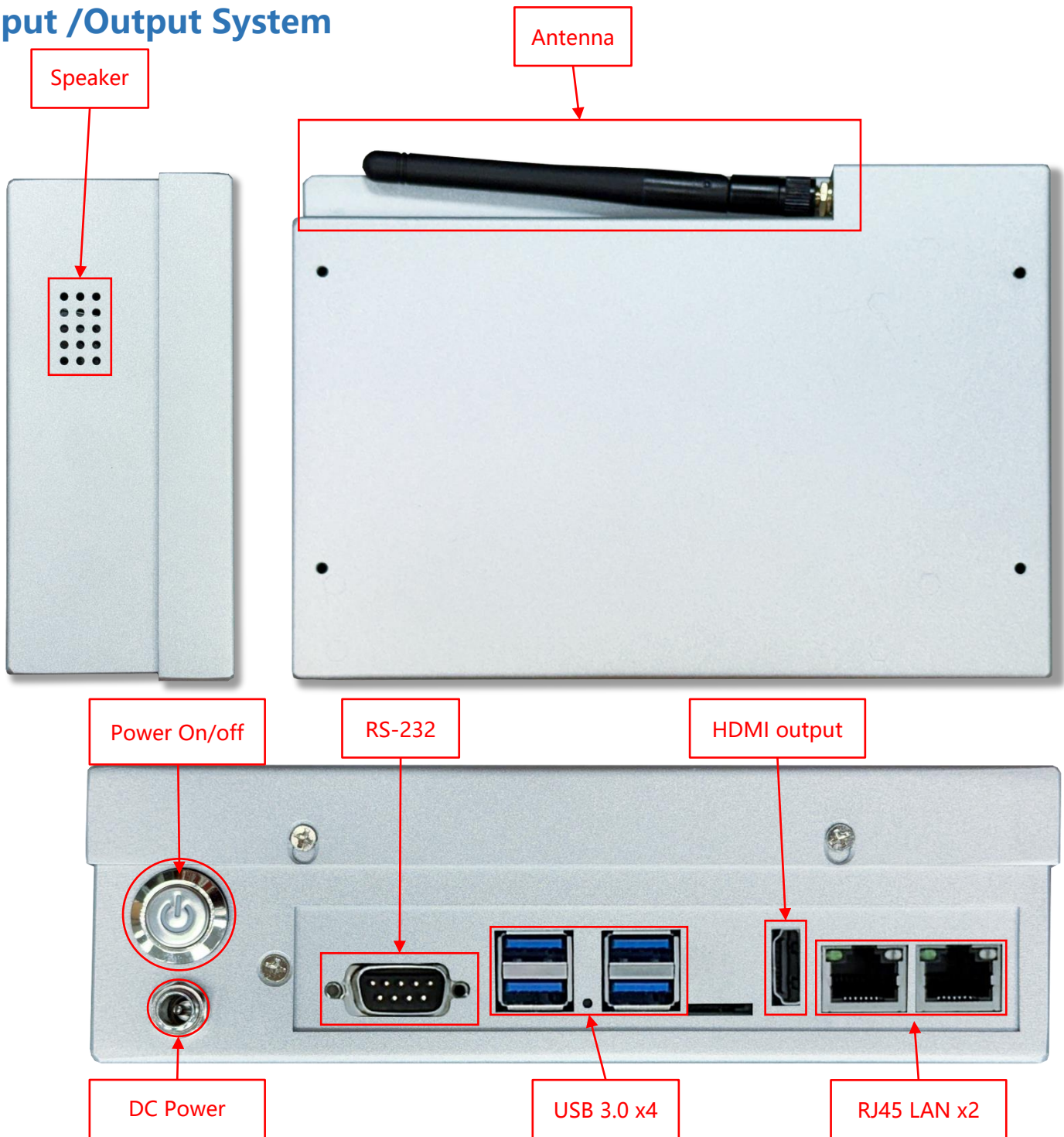


Packing Information



Carton Dimensions	395x160x330 mm
Net Weight	≤1.2 kg
Gross Weight	≤2.4 kg
Units per Pallet	72 units
Pallet Size	120x100x142 cm

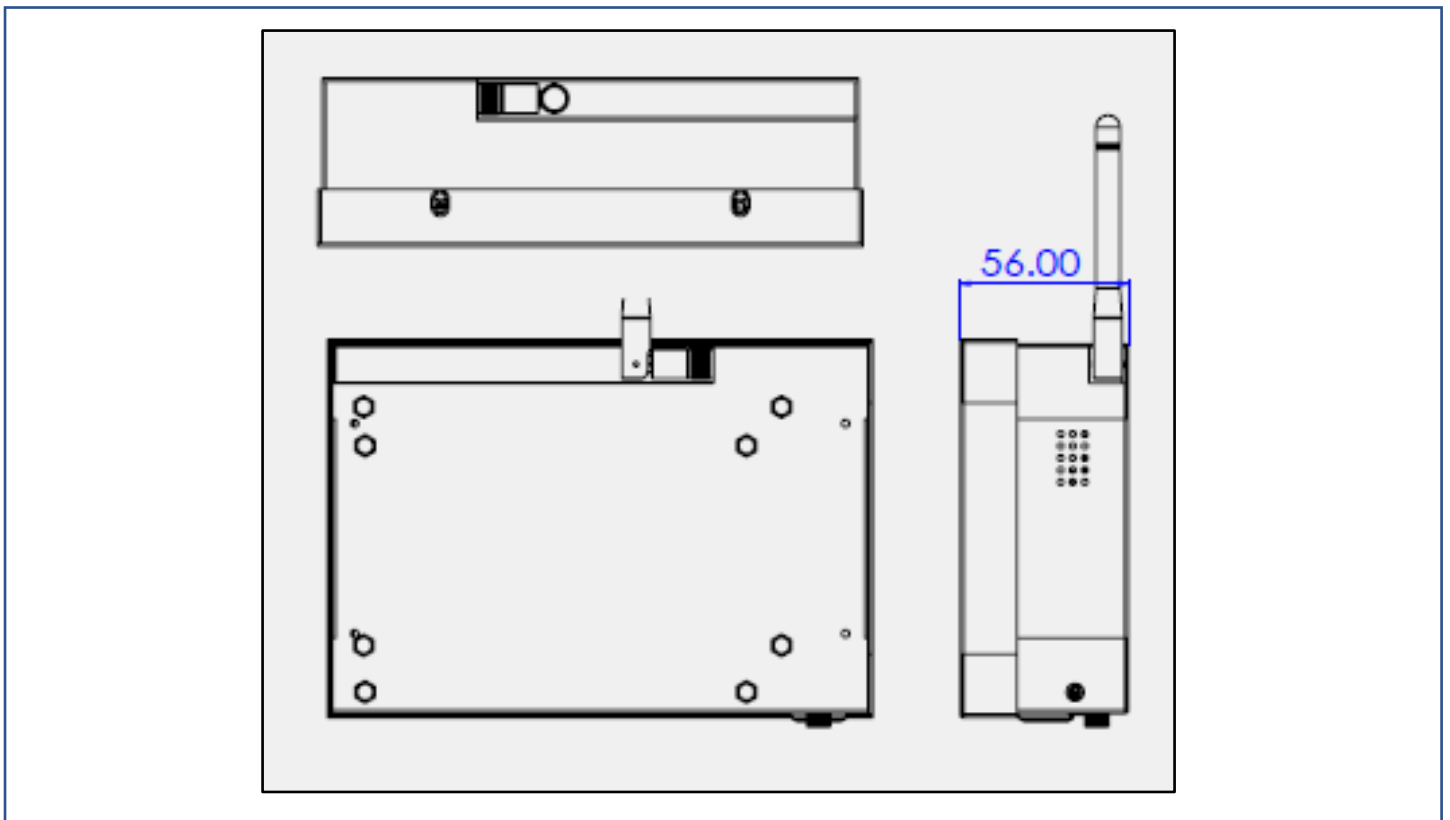
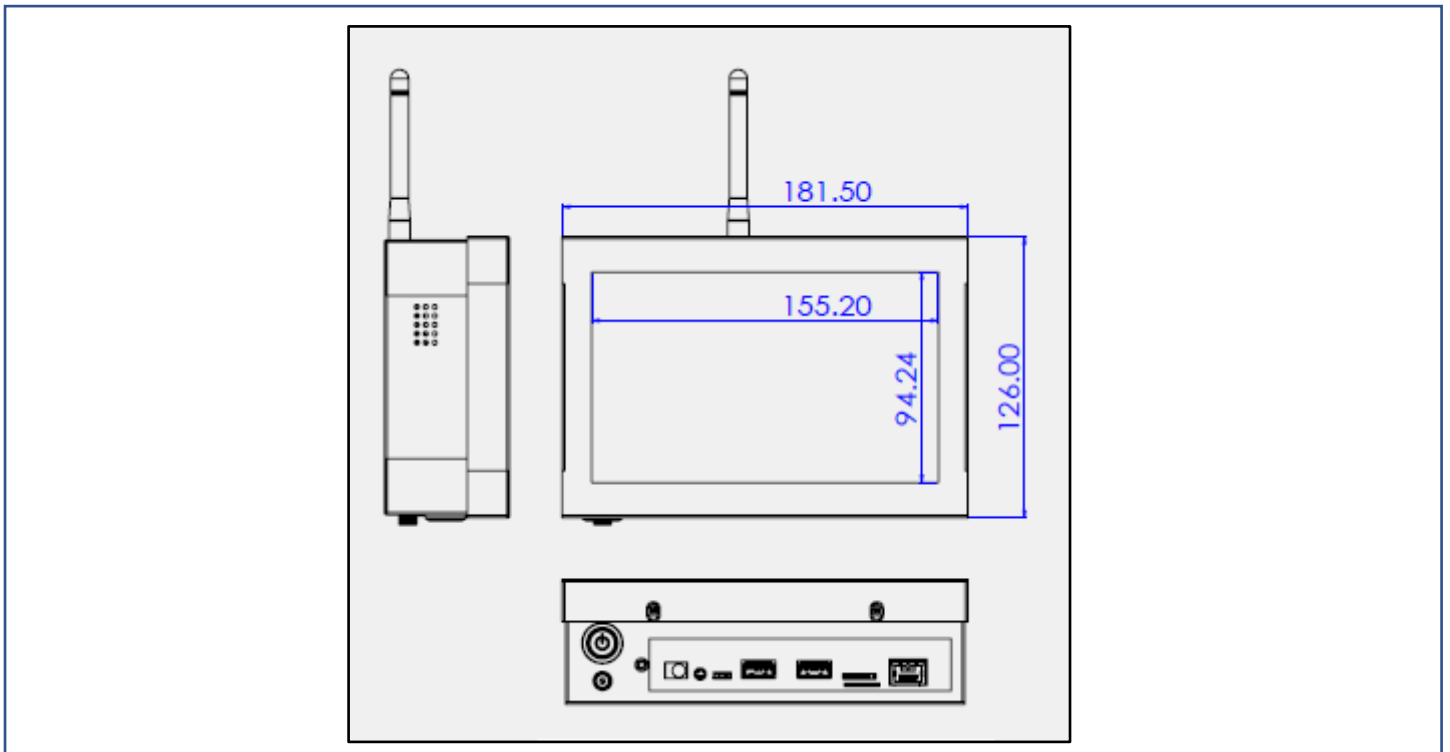
Input /Output System



Input / Output	Connectors	Input / Output	Connectors
DC Power Input	1	LAN (RJ45)	2
USB 3.0	4	Wi-Fi & Antenna	1
RS-232	1	Speakers	1W x2
HDMI output	1		

Physical Specifications

Dimensions (Max.)	233.5x155.4x41(±2)mm	Net Weight	≤1.2 kg
VESA Mount	75x75 mm	Gross Weight	≤2.4 kg



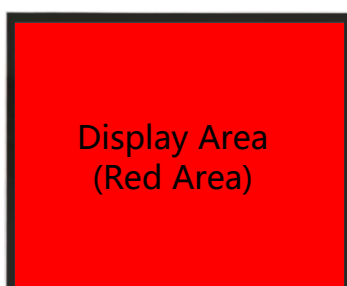
Cosmetic Inspection Criteria

Display Area Defect Criteria			
Defect Description	Defect Criteria	Acceptance	Remarks
Dot Defects (dark dot, particles, bubbles, pits, dust, and foreign matter)	$D \leq 0.2\text{mm}$	Ignored	D=Diameter
	$0.2 < D \leq 0.7\text{mm}$	$N \leq 5$	N=Quantity
	$0.7 < D \leq 1\text{mm}$	$N \leq 3$	
	$D > 1\text{mm}$	$N \leq 0$	
Linear Defect (scratches, fluff, particles)	$W \leq 0.15\text{mm}$	Ignored	W=Width
	$0.15 < W \leq 0.5\text{mm}, L \leq 15\text{mm}$	$N \leq 2$	L=Length
	$W > 0.5\text{mm}$ or $L > 15\text{mm}$	NG	

* Visual inspection condition: 60 cm viewing distance, 90° viewing angle (front/side/back).

Front Appearance Defect Criteria (Including Coating)			
Defect Description	Defect Criteria	Acceptance	Remarks
Dot Defects (dark dot, particles, bubbles, pits, dust, and foreign matter)	$D \leq 0.7\text{mm}$	Ignored	D=Diameter
	$0.7 < D \leq 1.5\text{mm}$	$N \leq 3$	N=Quantity
	$D > 1.5\text{mm}$	$N \leq 0$	
Linear Defect (scratches, fluff, particles)	$W \leq 0.2\text{mm}, L \leq 15\text{mm}$	Ignored	W=Width, L=Length
	$0.2 < W \leq 0.7\text{mm}, L \leq 15\text{mm}$	$N \leq 1$	
	$W > 0.7\text{mm}$ or $L > 15\text{mm}$	NG	

Side / Back Appearance Defect Criteria (Including Coating)			
Defect Description	Defect Criteria	Acceptance	Remarks
Dot Defects (dark dot, particles, bubbles, pits, dust, and foreign matter)	$D \leq 1.5\text{mm}$	Ignored	D=Diameter
	$1.5 < D \leq 3\text{mm}$	$N \leq 8$	N=Quantity
	$D > 3\text{mm}$	$N \leq 2$	
Linear Defect (including scratches, fluff, particles)	$W \leq 0.8\text{mm}, L \leq 15\text{mm}$	Ignored	W=Width, L=Length
	$0.8 < W \leq 1.5\text{mm}, L \leq 15\text{mm}$	$N \leq 5$	
	$W > 1.5\text{mm}$ or $L > 15\text{mm}$	NG	



Display Area
(Red Area)



Front Appearance (Red Area)



Back Appearance