

Product Specifications

Customer	
Model	NTAP070-3-S5 V600
Model No.	NTAP070H<u>X3XX</u>-S5A54FB-<u>XX</u>02-600

* X = A-Z, 0-9 (Varies by options)



Records of Revision			
Vision	Vision	Vision	Vision
v2606.1	Initial release		

Key Features

- ★ 7 inch Industrial LCD Panel, 800x480 Resolution
- ★ 1500nits high brightness
- ★ Wide viewing angle 178°/178°
- ★ Wide-temperature LCD panel, operating temperature -30-80°C
- ★ Rock Chip ARM Cortex A55 RK3568 Quad-Core 2.0GHz CPU
- ★ On Board DDR4 4G Memory
- ★ On Board 32 Flash ROM
- ★ Micro SD Card Slot x1
- ★ Android 11
- ★ PCAP touch screen
- ★ 7H Hardness tempered cover glass
- ★ 10-point multi-touch , supports Nextech stylus
- ★ Metal housing with multiple mounting options
- ★ Made in Taiwan, 3-year warranty, designed for harsh environments
- ★ Optional Privacy filter or antimicrobial surface treatment



PSE



BSMI



RoHS



CE



ISO9001



FCC



Desktop Stand



Wall Mounting



Open-frame Bracket



Panel Mount

System Specifications

CPU	Rock Chip ARM Cortex A55 RK3568 Quad-Core 2.0GHz
Memory	DDR4 4G
Storage	32G Flash ROM
Sound Chip	Realtek Audio HDA Codec
Physical Network	Realtek GbE LAN Chip (RJ45, 10/100/1000 Mbps)
Wireless Network	Wi Fi 2.4/5GHz and Bluetooth 4.2 (support BLE)
OS	Android 11

Display Specifications

Screen Diagonal	117.8 mm (7.0 inch)	Display Mode	Normally Black
Active Area	152.4x91.44 mm	Backlight Unit	White LED
Resolution	800x480	Viewing Angle (L/R, U/D)	178°/178° (CR≥10)
Contrast Ratio	1000:1	Backlight Lifetime	>100,000 Hours
Colors	16.7M Colors	Operating Temp.	-30~80°C
Pixel Pitch	0.1905x0.1905 mm	Storage Temp.	-40~90°C
Response Time	25 msec.	Brightness	1500 nits

Touch Options

Configuration	Specification	Ordering Information
Standard	Projected Capacitive Touch	NTAP070H<u>P</u>3XX-S5A54FB-XX02-600
Optional	No touch	NTAP070H <u>0</u> 3XX-S5A54FB-XX02-600

PCAP Touch Specifications

Allowed Touch Points	10 points	Thickness of Cover Lens	2.0±0.2mm
Transparency	≥87%	Hardness of Cover Lens	7H
Accuracy	99.00%	IK Ratings	IK07

Surface Treatment Options

Configuration	Specification	Ordering Information
Standard	Glare Type	NTAP070HX3<u>00</u>-S5A54FB-XX02-600
Optional	Anti-Glare & UV-resistant Coating	NTAP070HX3 <u>GG</u> -S5A54FB-XX02-600
Optional	Antibacterial (AB Film)	NTAP070HX3 <u>AB</u> -S5A54FB-XX02-600
Optional	Privacy filter (AS Film)	NTAP070HX3 <u>SF</u> -S5A54FB-XX02-600

Housing Options

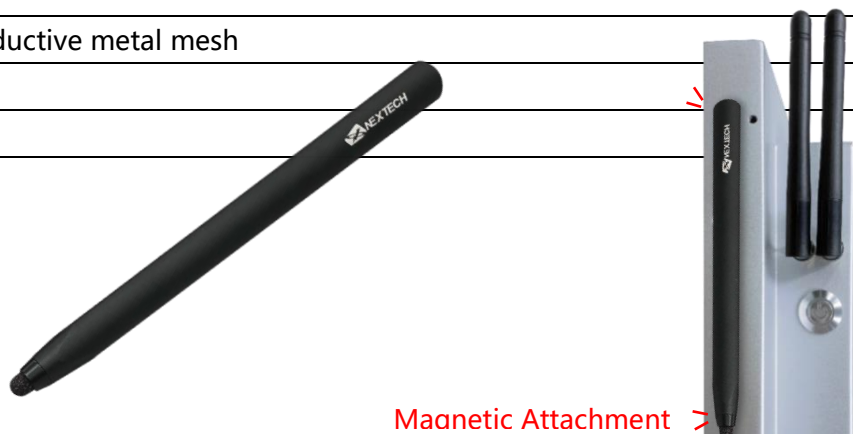
Housing Material		
Configuration	Specification	Ordering Information
Standard	SECC	NTAP070HX3XX-S5A54FB- S X02-600
Optional	Stainless Steel	NTAP070HX3XX-S5A54FB- L X02-600
Optional	Aluminum	NTAP070HX3XX-S5A54FB- A X02-600

Housing Color		
Configuration	Specification	Ordering Information
Standard	Silver	NTAP070HX3XX-S5A54FB- X S02-600
Optional	White	NTAP070HX3XX-S5A54FB- X W02-600
Optional	Black	NTAP070HX3XX-S5A54FB- X B02-600
Optional	Custom Color	NTAP070HX3XX-S5A54FB- X X02-600

* **X** = A~Z, 0~9 (Varies by Color)

Nextech Stylus Option

Tip	Passive conductive metal mesh
Tip Diameter	6mm
Magnetic Attachment	Yes



Magnetic Attachment >

Optional Mounting Accessories

	Accessories	Description
Optional	Desktop stand	For desktop use
Optional	Panel mount kit	For front mounting into kiosks, cabinets, or equipment panels.
Optional	Open-frame brackets	For rear mounting installation inside kiosks, cabinets, or equipment panels.
Optional	Wall Mount Bracket	For wall mounting

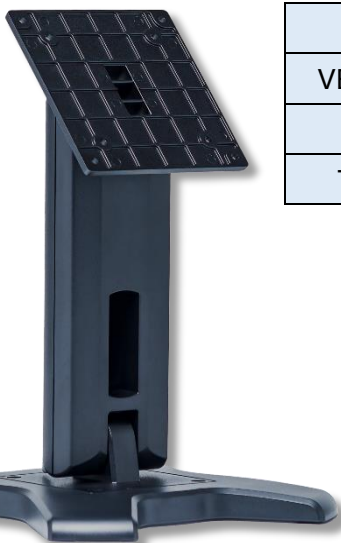
Desktop Stand Type L (Optional)



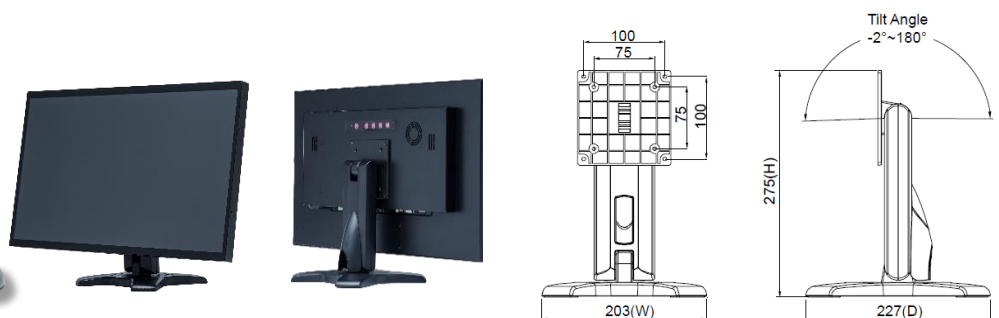
Item	L Stand	Model	DST-0B004/DST-1B004
VESA Mount	100x100 / 75x75 mm	Dimensions	194x194x222 mm
Material	SECC	Net Weight	1.4 kg
Tilt Angle	105°	Load Capacity	15 kg



Desktop Stand Type B (Optional)



Item	B Stand	Model	DST-0B002/DST-1B002
VESA Mount	100x100 / 75x75 mm	Dimensions	203x275x227 mm
Material	Steel/Plastic/Aluminum	Net Weight	1.8 kg
Tilt Angle	-2° ~+180°	Load Capacity	15 kg



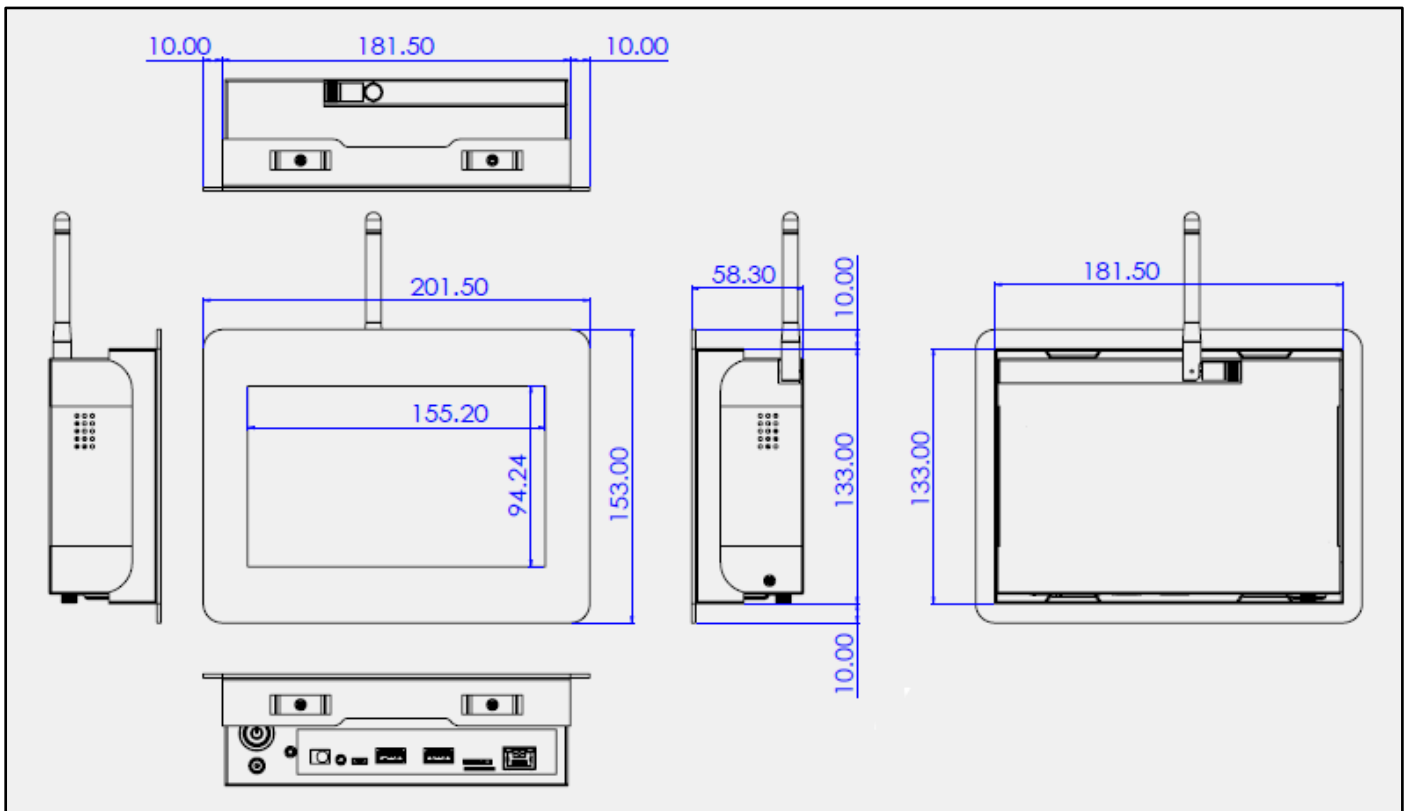
Nextech AP Series 7" Android All-in-one Industrial Touch PC

NTAP070-3-S5 V600

Panel Mount Kits (Option)



Panel Mount Installation Dimensions

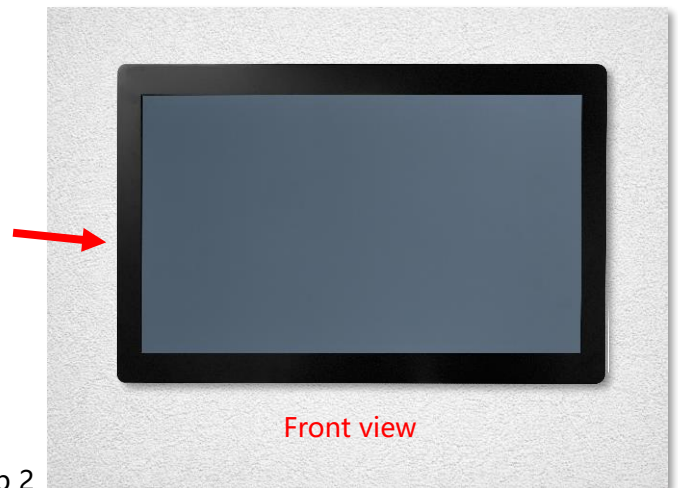
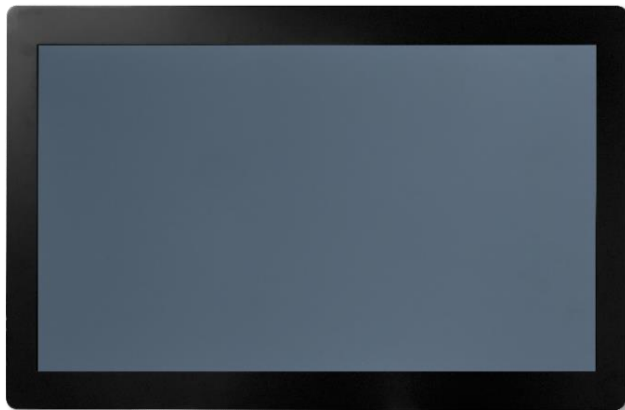
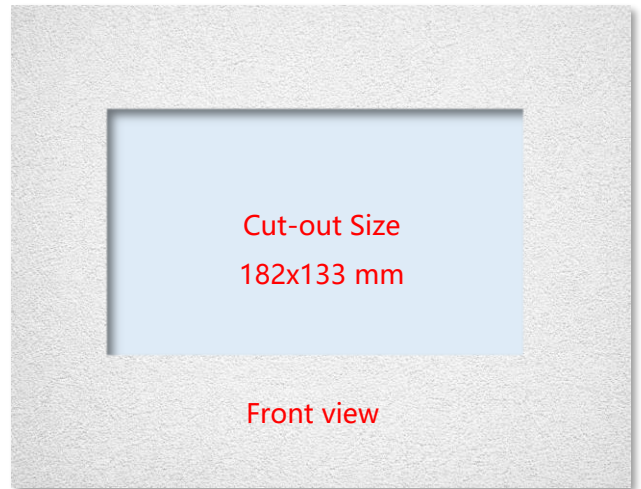


Nextech AP Series 7" Android All-in-one Industrial Touch PC

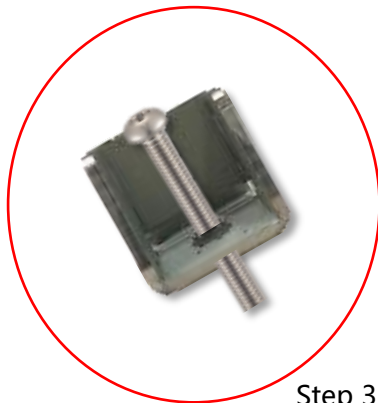
NTAP070-3-S5 V600



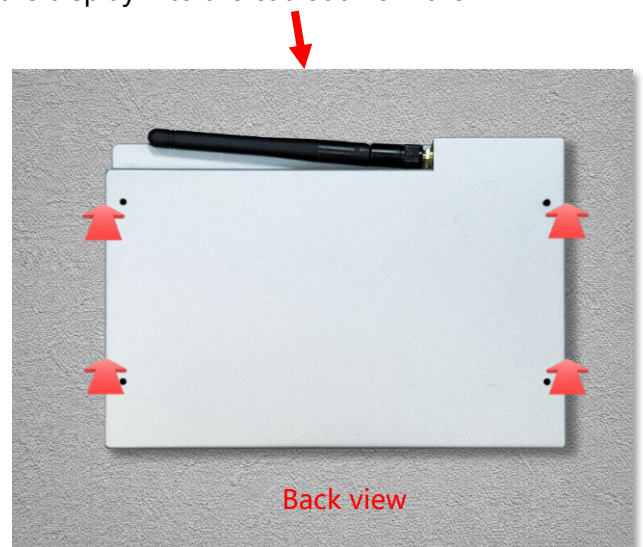
Step 1
Assemble the front module with the display unit.
(This step is pre-assembled at Nextech's factory.)



Step 2
Insert the display into the cut-out from the front.



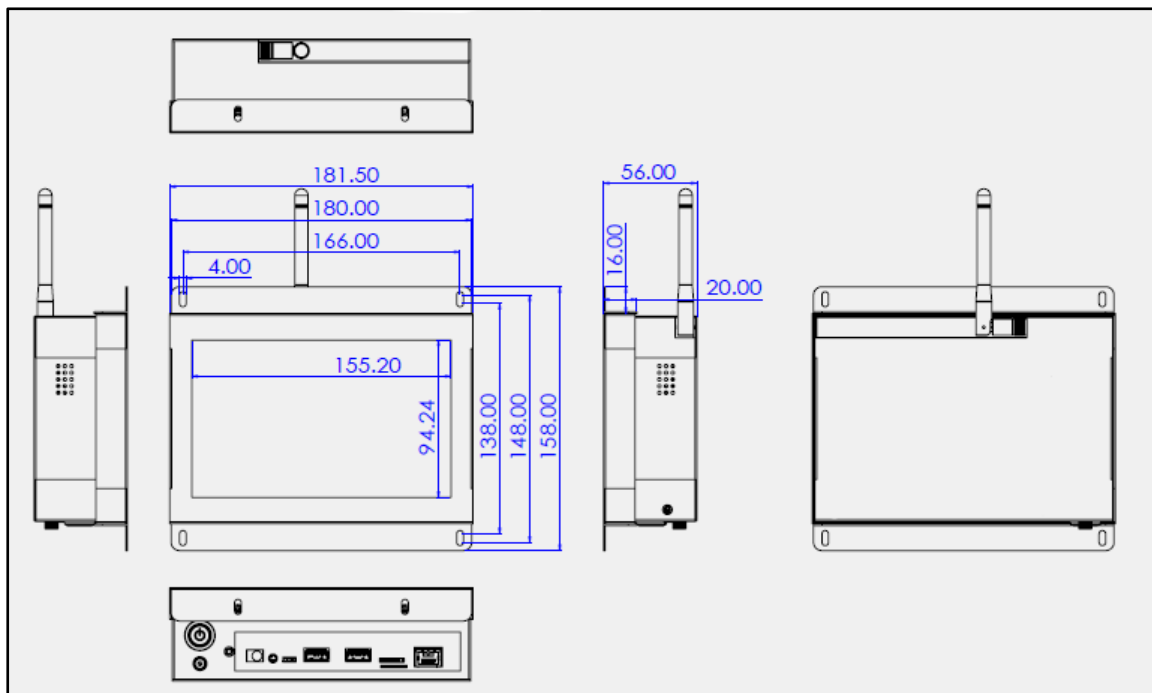
Step 3
Install the mounting clips from the rear side and secure them with screws.



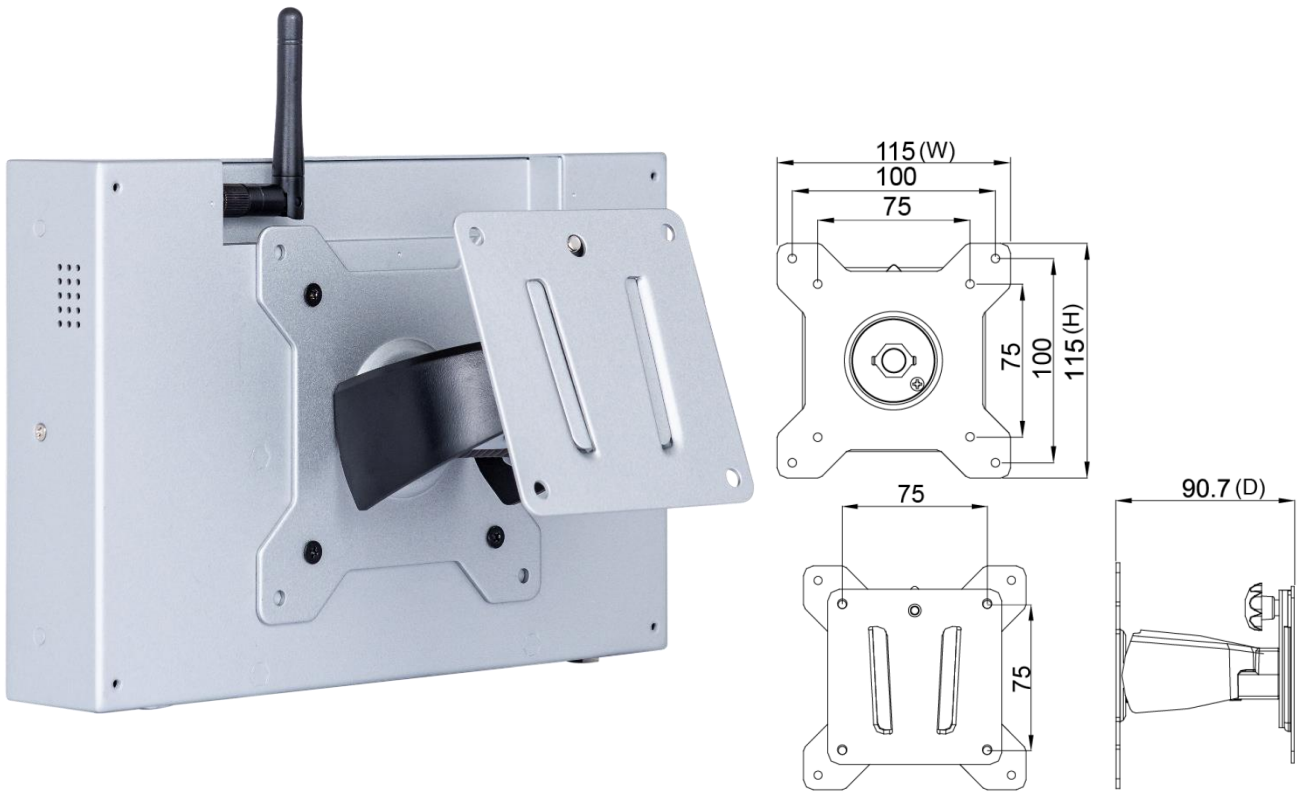
Open-frame Brackets (Optional)



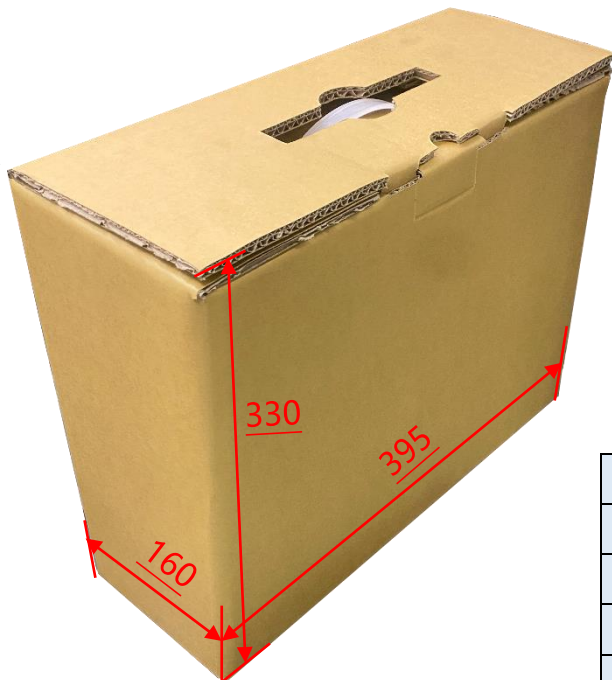
Open-frame Bracket Installation Dimensions



Wall Mount Bracket (Optional)

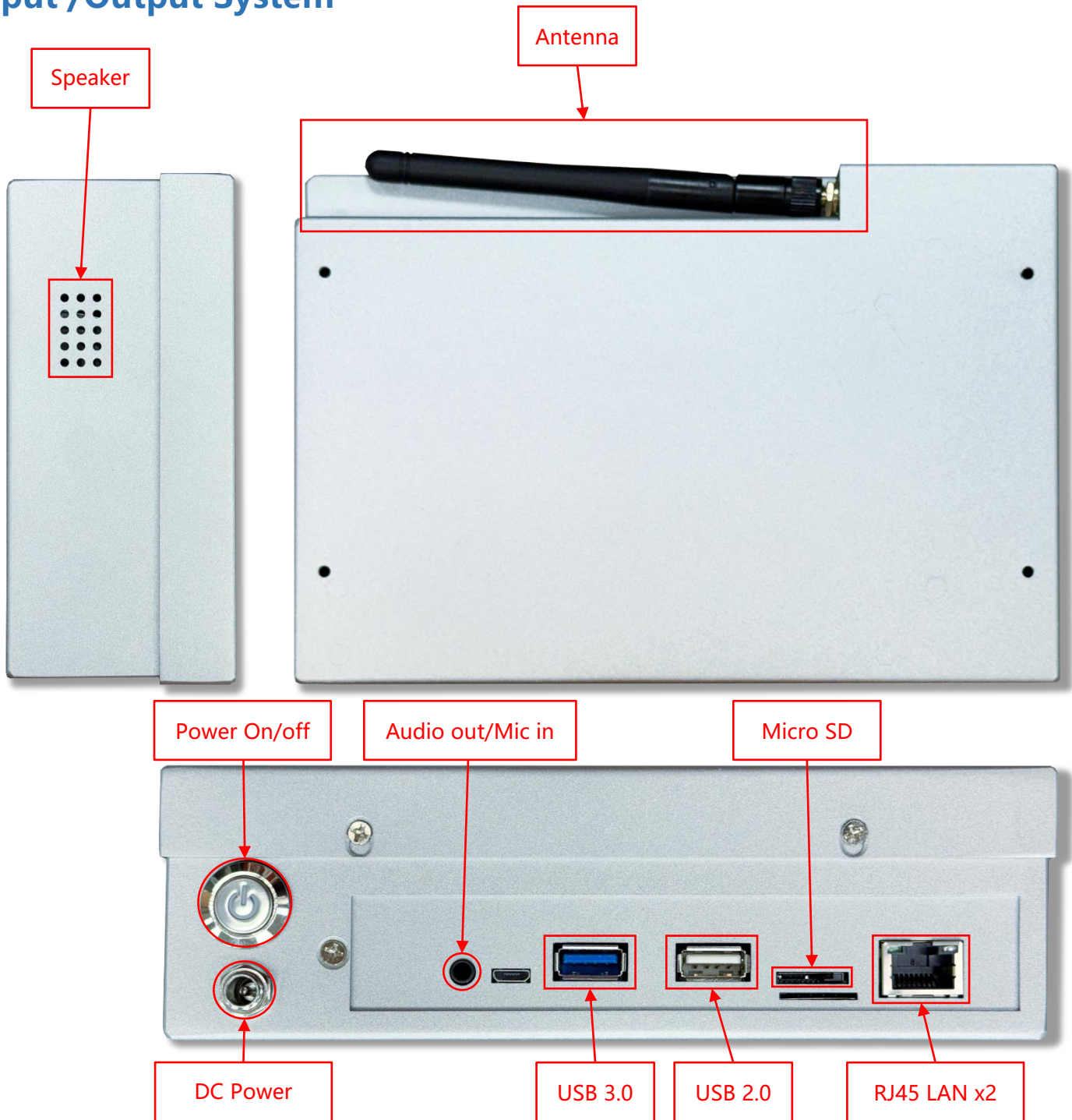


Packing Information



Carton Dimensions	395x160x330 mm
Net Weight	≤1.2 kg
Gross Weight	≤2.4 kg
Units per Pallet	72 units
Pallet Size	120x100x142 cm

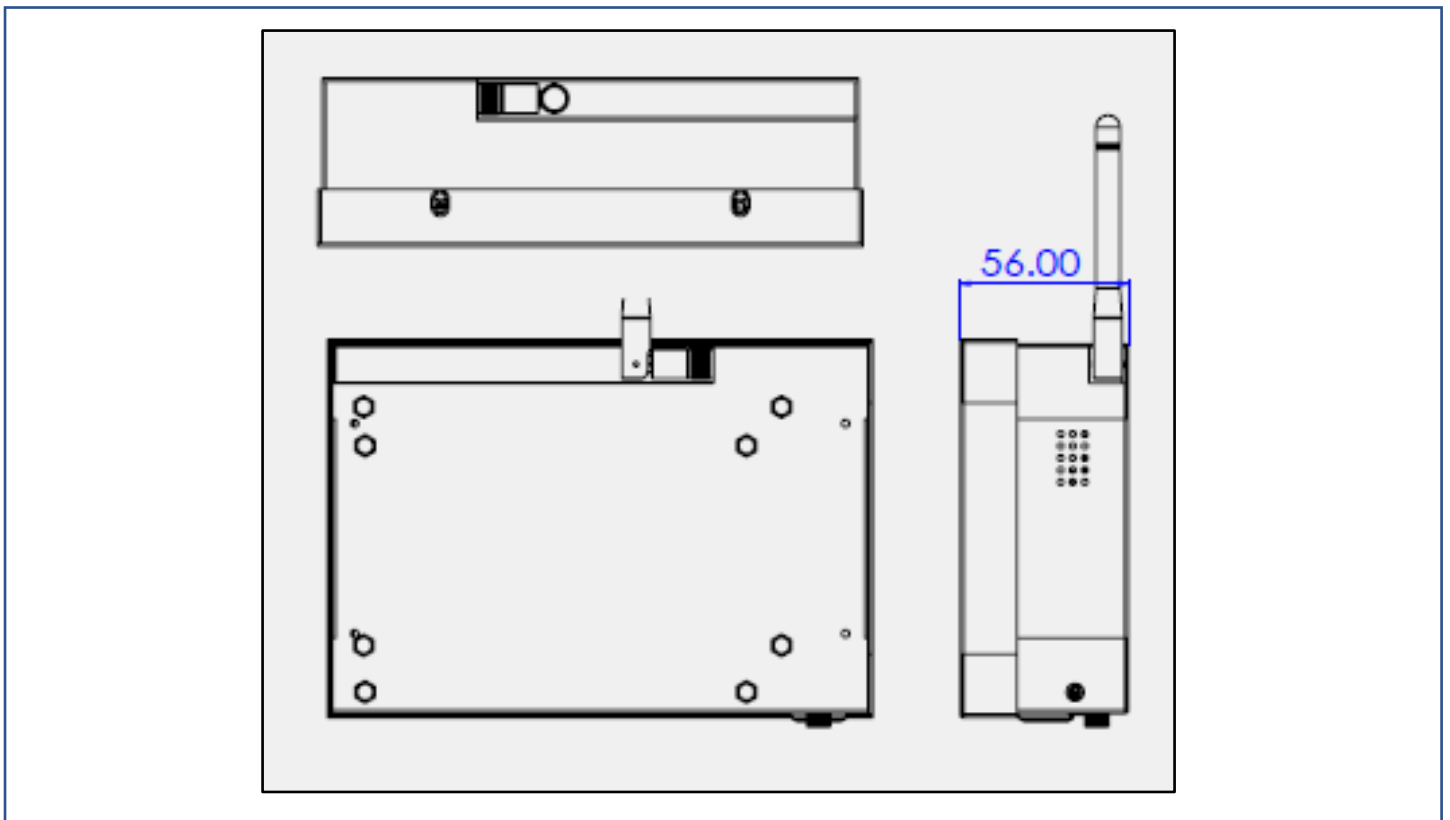
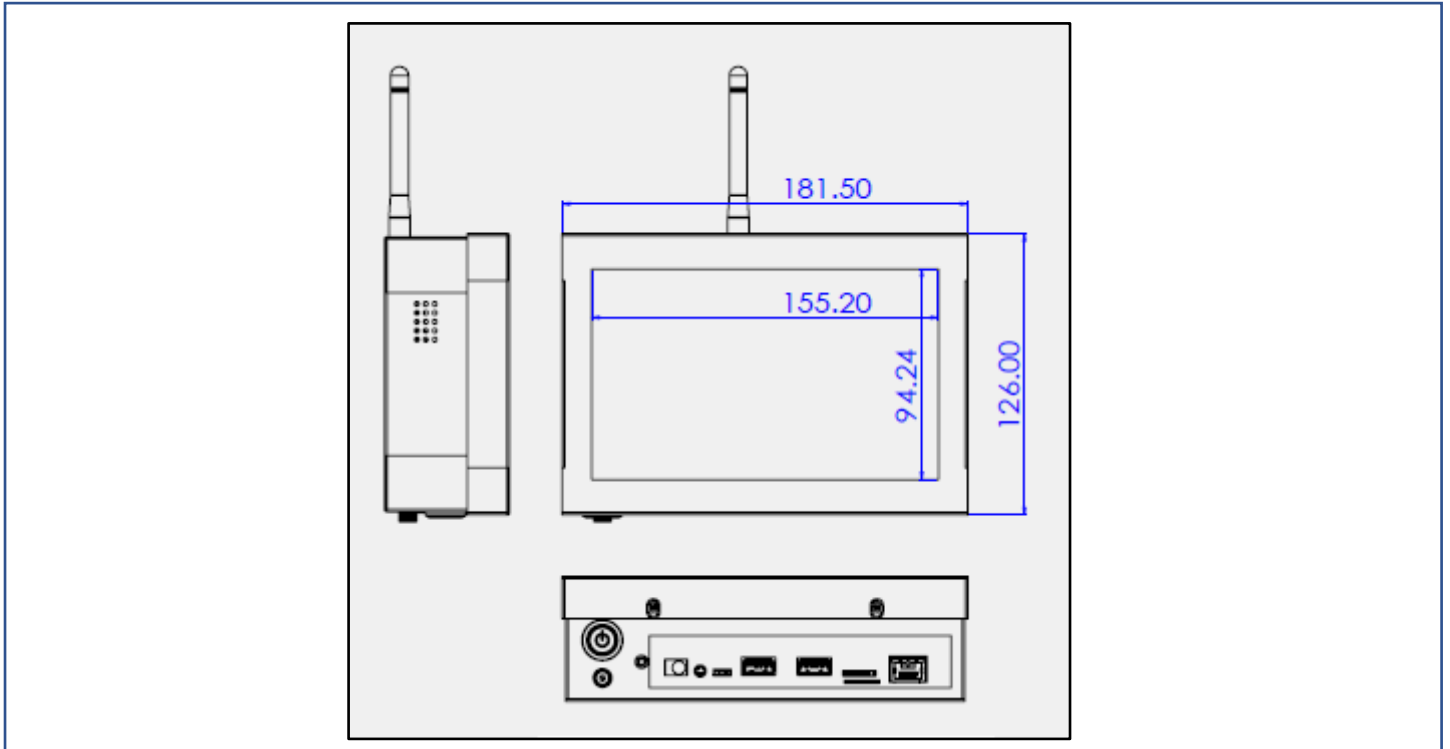
Input /Output System



Input / Output	Connectors	Input / Output	Connectors
DC Power Input	1	Audio Output /Mic Input (3.5mm)	1
USB 2.0	1	LAN (RJ45)	1
USB 3.0	1	Wi-Fi & Antenna	1
MicroSD Card Slot	1	Speakers	1W x2

Physical Specifications

Dimensions (Max.)	233.5x155.4x41(±2)mm	Net Weight	≤1.2 kg
VESA Mount	75x75 mm	Gross Weight	≤2.4 kg



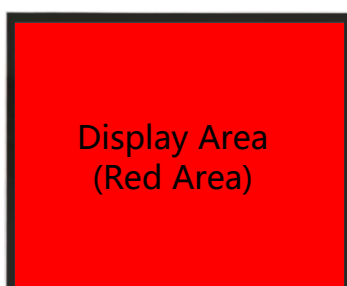
Cosmetic Inspection Criteria

Display Area Defect Criteria			
Defect Description	Defect Criteria	Acceptance	Remarks
Dot Defects (dark dot, particles, bubbles, pits, dust, and foreign matter)	$D \leq 0.2\text{mm}$	Ignored	D=Diameter
	$0.2 < D \leq 0.7\text{mm}$	$N \leq 5$	N=Quantity
	$0.7 < D \leq 1\text{mm}$	$N \leq 3$	
	$D > 1\text{mm}$	$N \leq 0$	
Linear Defect (scratches, fluff, particles)	$W \leq 0.15\text{mm}$	Ignored	W=Width
	$0.15 < W \leq 0.5\text{mm}, L \leq 15\text{mm}$	$N \leq 2$	L=Length
	$W > 0.5\text{mm}$ or $L > 15\text{mm}$	NG	

* Visual inspection condition: 60 cm viewing distance, 90° viewing angle (front/side/back).

Front Appearance Defect Criteria (Including Coating)			
Defect Description	Defect Criteria	Acceptance	Remarks
Dot Defects (dark dot, particles, bubbles, pits, dust, and foreign matter)	$D \leq 0.7\text{mm}$	Ignored	D=Diameter
	$0.7 < D \leq 1.5\text{mm}$	$N \leq 3$	N=Quantity
	$D > 1.5\text{mm}$	$N \leq 0$	
Linear Defect (scratches, fluff, particles)	$W \leq 0.2\text{mm}, L \leq 15\text{mm}$	Ignored	W=Width, L=Length
	$0.2 < W \leq 0.7\text{mm}, L \leq 15\text{mm}$	$N \leq 1$	
	$W > 0.7\text{mm}$ or $L > 15\text{mm}$	NG	

Side / Back Appearance Defect Criteria (Including Coating)			
Defect Description	Defect Criteria	Acceptance	Remarks
Dot Defects (dark dot, particles, bubbles, pits, dust, and foreign matter)	$D \leq 1.5\text{mm}$	Ignored	D=Diameter
	$1.5 < D \leq 3\text{mm}$	$N \leq 8$	N=Quantity
	$D > 3\text{mm}$	$N \leq 2$	
Linear Defect (including scratches, fluff, particles)	$W \leq 0.8\text{mm}, L \leq 15\text{mm}$	Ignored	W=Width, L=Length
	$0.8 < W \leq 1.5\text{mm}, L \leq 15\text{mm}$	$N \leq 5$	
	$W > 1.5\text{mm}$ or $L > 15\text{mm}$	NG	



Display Area
(Red Area)



Front Appearance (Red Area)



Back Appearance