

# Product Specifications

Customer	
Model	<b>NTAP070-2-S5 V600</b>
Model No.	<b>NTAP070H<u>X2XX</u>-S5A54FB-<u>XX</u>02-600</b>

\* X = A-Z, 0-9 (Varies by options)



Records of Revision			
Vision	Vision	Vision	Vision
v2606.1	Initial release		

## Key Features

- ★ 7 inch Industrial LCD Panel, 800x480 Resolution
- ★ 1000nits high brightness
- ★ Wide viewing angle 178°/178°
- ★ Wide-temperature LCD panel, operating temperature -30-85°C
- ★ Rock Chip ARM Cortex A55 RK3568 Quad-Core 2.0GHz CPU
- ★ On Board DDR4 4G Memory
- ★ On Board 32 Flash ROM
- ★ Micro SD Card Slot x1
- ★ Android 11
- ★ PCAP touch screen
- ★ 7H Hardness tempered cover glass
- ★ 10-point multi-touch , supports Nextech stylus
- ★ Metal housing with multiple mounting options
- ★ Made in Taiwan, 3-year warranty, designed for harsh environments
- ★ Optional Privacy filter or antimicrobial surface treatment



PSE



BSMI



RoHS



CE



ISO9001



FCC



Desktop Stand



Wall Mounting



Open-frame Bracket



Panel Mount

## System Specifications

CPU	Rock Chip ARM Cortex A55 RK3568 Quad-Core 2.0GHz
Memory	DDR4 4G
Storage	32G Flash ROM
Sound Chip	Realtek Audio HDA Codec
Physical Network	Realtek GbE LAN Chip (RJ45, 10/100/1000 Mbps)
Wireless Network	Wi Fi 2.4/5GHz and Bluetooth 4.2 (support BLE)
OS	Android 11

## Display Specifications

Screen Diagonal	117.8 mm (7.0 inch)	Display Mode	Normally Black
Active Area	152.4x91.44 mm	Backlight Unit	White LED
Resolution	800x480	Viewing Angle (L/R, U/D)	178°/178° (CR≥10)
Contrast Ratio	800:1	Backlight Lifetime	>50,000 Hours
Colors	16.7M Colors	Operating Temp.	-30~85°C
Pixel Pitch	0.1905x0.1905 mm	Storage Temp.	-30~80°C
Response Time	25 msec.	Brightness	1000 nits

## Touch Options

Configuration	Specification	Ordering Information
<b>Standard</b>	<b>Projected Capacitive Touch</b>	<b>NTAP070H<u>P</u>2XX-S5A54FB-<u>XX</u>02-600</b>
Optional	No touch	NTAP070H <u>0</u> 2XX-S5A54FB- <u>XX</u> 02-600

### PCAP Touch Specifications

Allowed Touch Points	10 points	Thickness of Cover Lens	2.0±0.2mm
Transparency	≥87%	Hardness of Cover Lens	7H
Accuracy	99.00%	IK Ratings	IK07

## Surface Treatment Options

Configuration	Specification	Ordering Information
<b>Standard</b>	<b>Glare Type</b>	<b>NTAP070HX2<u>00</u>-S5A54FB-<u>XX</u>02-600</b>
Optional	Anti-Glare & UV-resistant Coating	NTAP070HX2 <u>GG</u> -S5A54FB- <u>XX</u> 02-600
Optional	Antibacterial (AB Film)	NTAP070HX2 <u>AB</u> -S5A54FB- <u>XX</u> 02-600
Optional	Privacy filter (AS Film)	NTAP070HX2 <u>SF</u> -S5A54FB- <u>XX</u> 02-600

## Housing Options

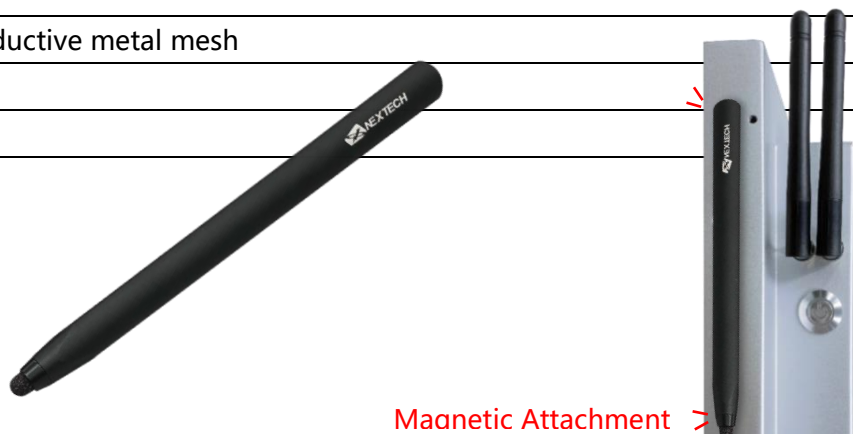
Housing Material		
Configuration	Specification	Ordering Information
Standard	SECC	NTAP070HX2XX-S5A54FB- <b>SX</b> 02-600
Optional	Stainless Steel	NTAP070HX2XX-S5A54FB- <b>LX</b> 02-600
Optional	Aluminum	NTAP070HX2XX-S5A54FB- <b>AX</b> 02-600

Housing Color		
Configuration	Specification	Ordering Information
Standard	Silver	NTAP070HX2XX-S5A54FB- <b>XS</b> 02-600
Optional	White	NTAP070HX2XX-S5A54FB- <b>XW</b> 02-600
Optional	Black	NTAP070HX2XX-S5A54FB- <b>XB</b> 02-600
Optional	Custom Color	NTAP070HX2XX-S5A54FB- <b>XX</b> 02-600

\* **X** = A~Z, 0~9 (Varies by Color)

## Nextech Stylus Option

Tip	Passive conductive metal mesh
Tip Diameter	6mm
Magnetic Attachment	Yes



Magnetic Attachment >

## Optional Mounting Accessories

	Accessories	Description
Optional	Desktop stand	For desktop use
Optional	Panel mount kit	For front mounting into kiosks, cabinets, or equipment panels.
Optional	Open-frame brackets	For rear mounting installation inside kiosks, cabinets, or equipment panels.
Optional	Wall Mount Bracket	For wall mounting

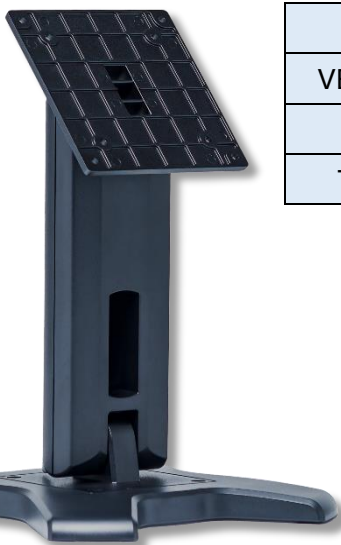
### Desktop Stand Type L (Optional)



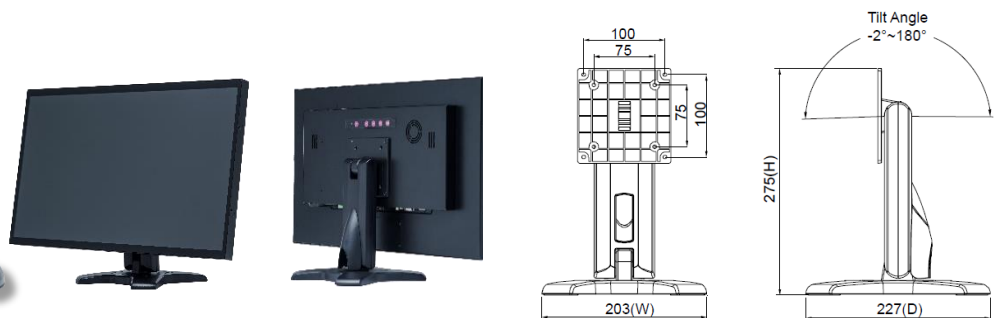
Item	L Stand	Model	DST-0B004/DST-1B004
VESA Mount	100x100 / 75x75 mm	Dimensions	194x194x222 mm
Material	SECC	Net Weight	1.4 kg
Tilt Angle	105°	Load Capacity	15 kg



### Desktop Stand Type B (Optional)



Item	B Stand	Model	DST-0B002/DST-1B002
VESA Mount	100x100 / 75x75 mm	Dimensions	203x275x227 mm
Material	Steel/Plastic/Aluminum	Net Weight	1.8 kg
Tilt Angle	-2° ~+180°	Load Capacity	15 kg



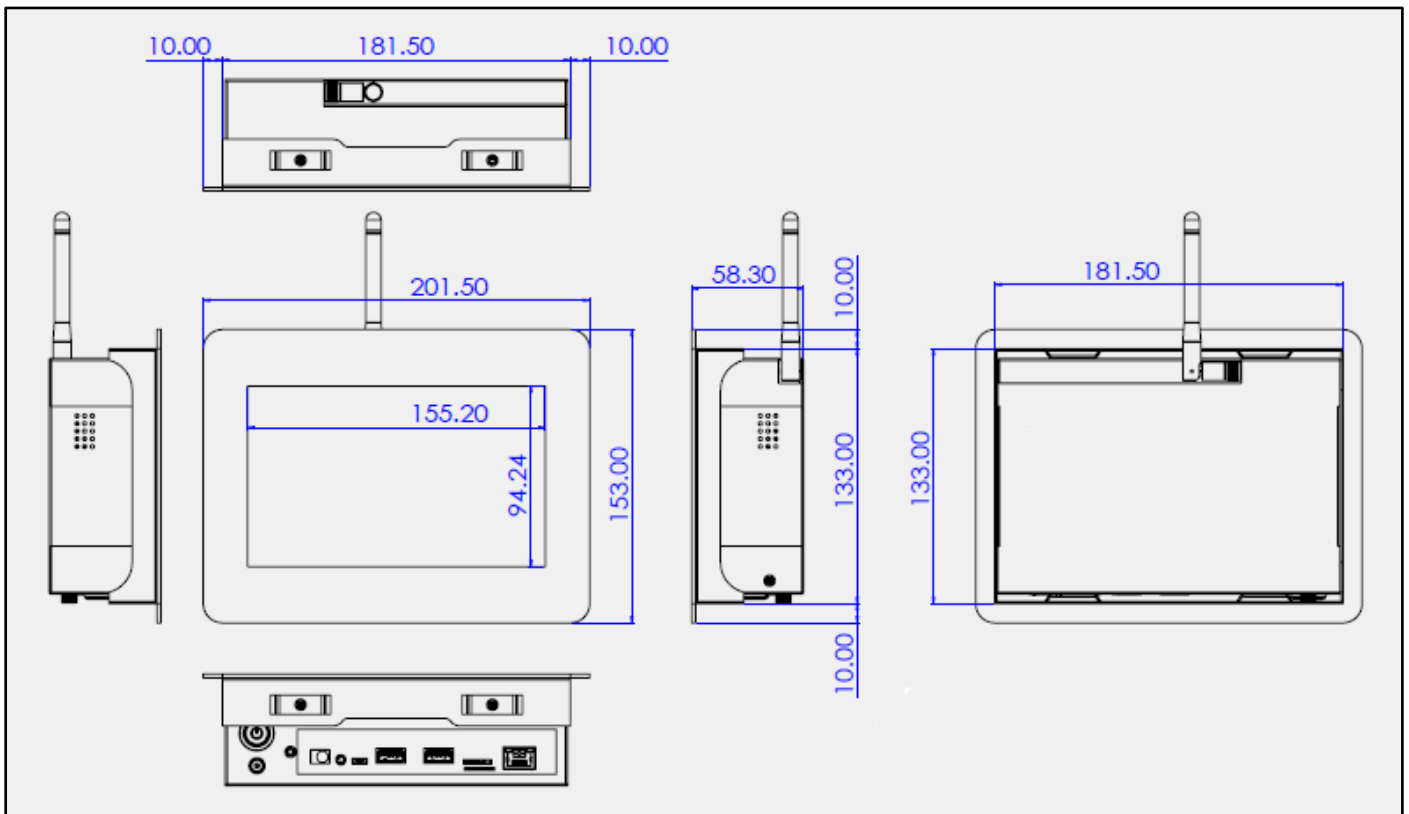
# Nextech AP Series 7" Android All-in-one Industrial Touch PC

**NTAP070-2-S5 V600**

## Panel Mount Kits (Option)



## Panel Mount Installation Dimensions

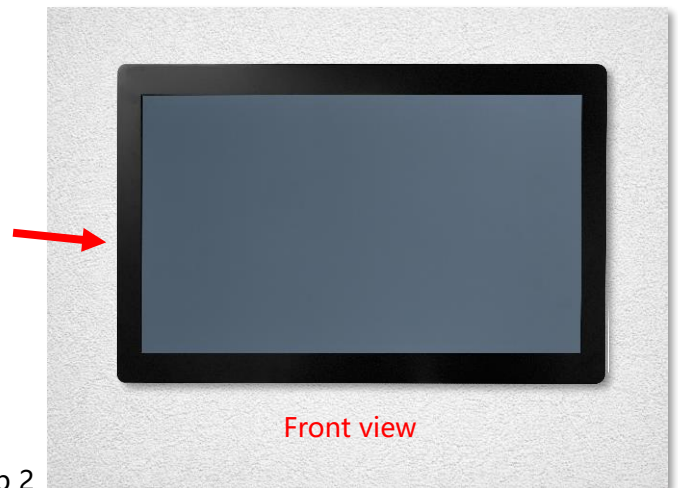
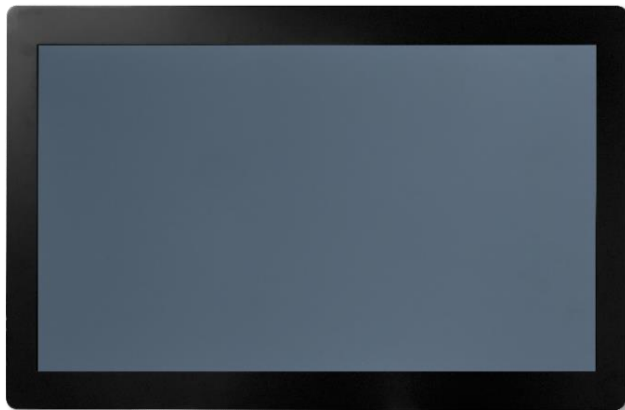
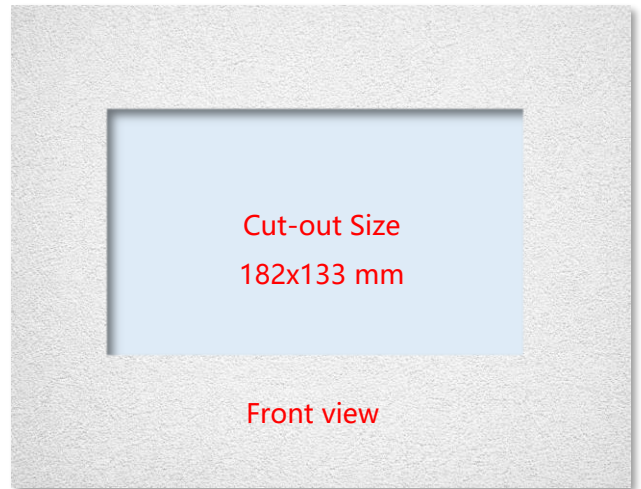


# Nextech AP Series 7" Android All-in-one Industrial Touch PC

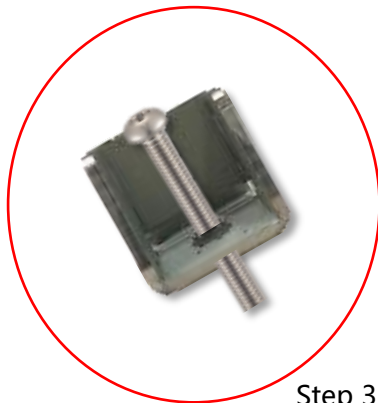
**NTAP070-2-S5 V600**



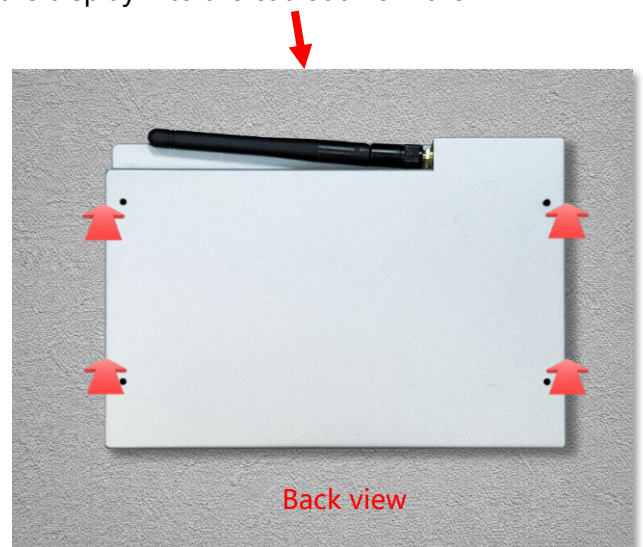
**Step 1**  
Assemble the front module with the display unit.  
(This step is pre-assembled at Nextech's factory.)



**Step 2**  
Insert the display into the cut-out from the front.



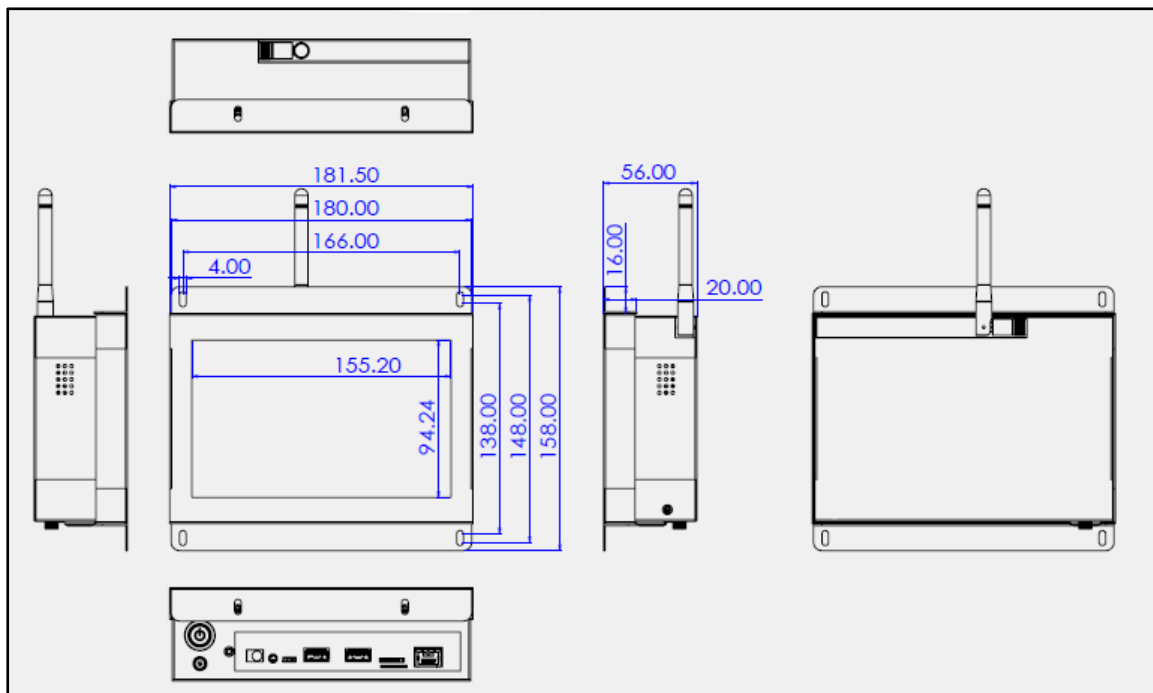
**Step 3**  
Install the mounting clips from the rear side and secure them with screws.



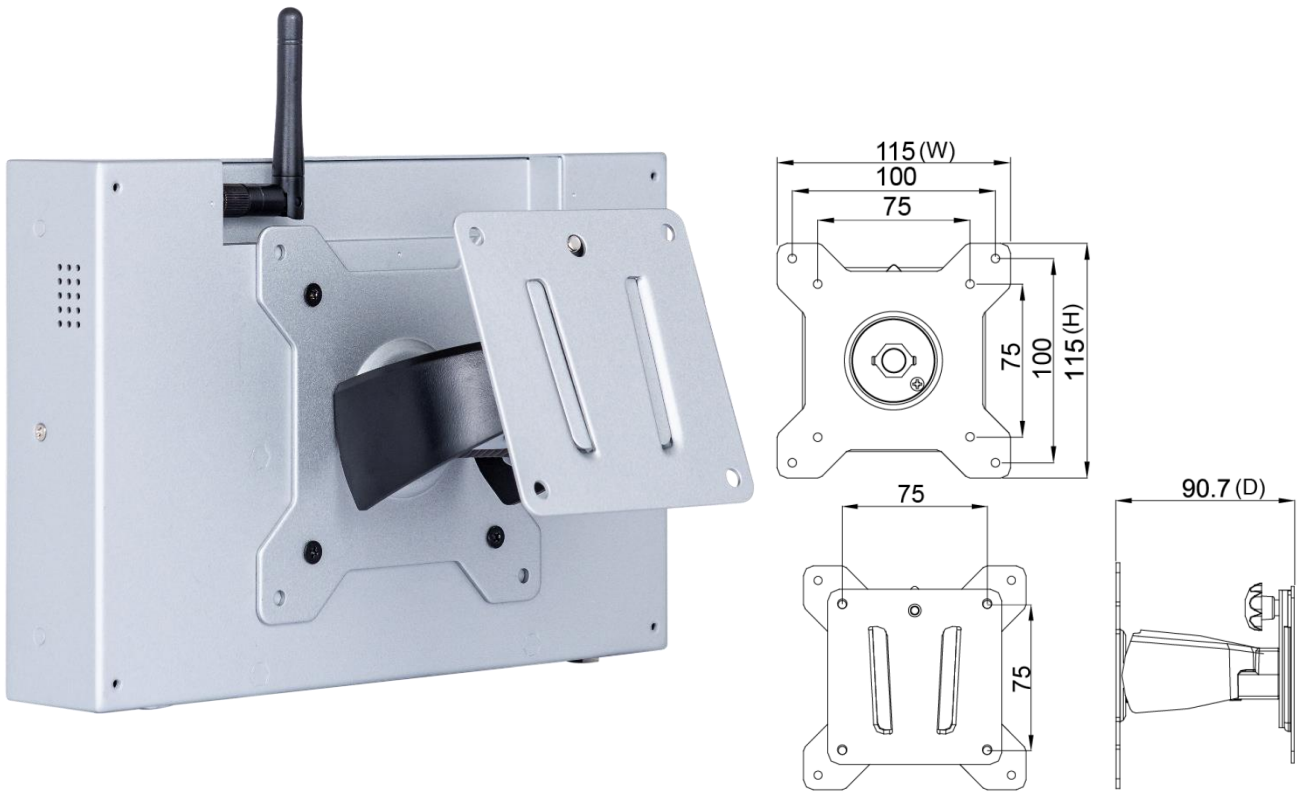
Open-frame Brackets (Optional)



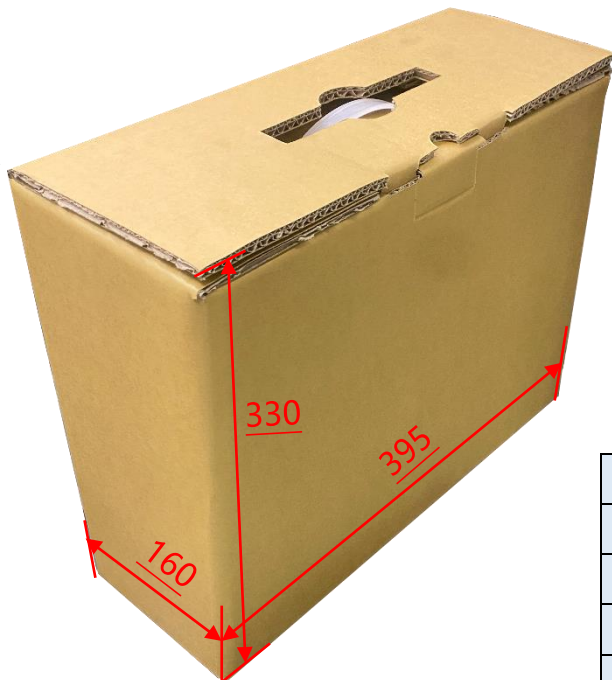
Open-frame Bracket Installation Dimensions



Wall Mount Bracket (Optional)

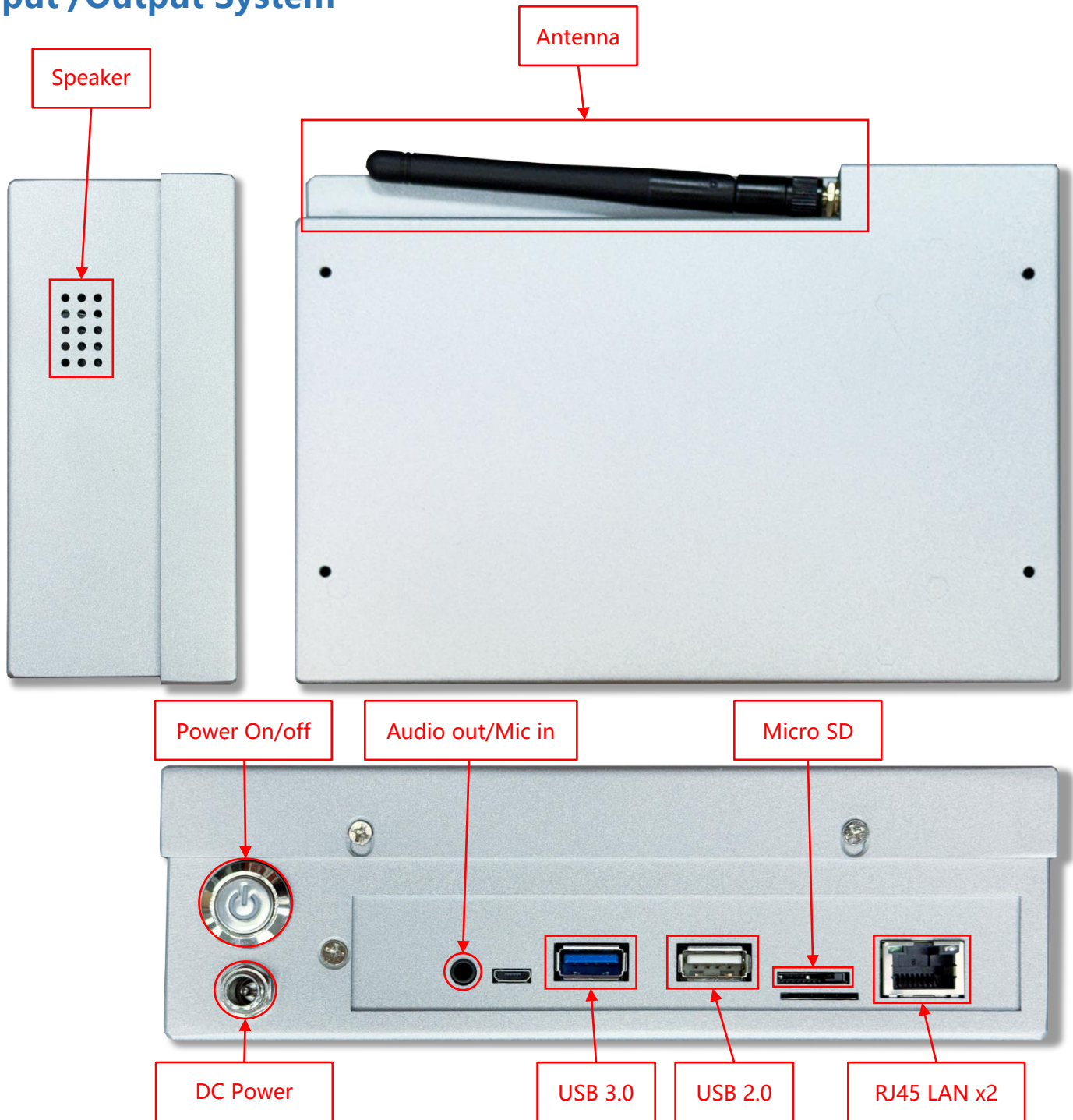


Packing Information



Carton Dimensions	<b>395x160x330 mm</b>
Net Weight	<b>≤1.2 kg</b>
Gross Weight	<b>≤2.4 kg</b>
Units per Pallet	<b>72 units</b>
Pallet Size	<b>120x100x142 cm</b>

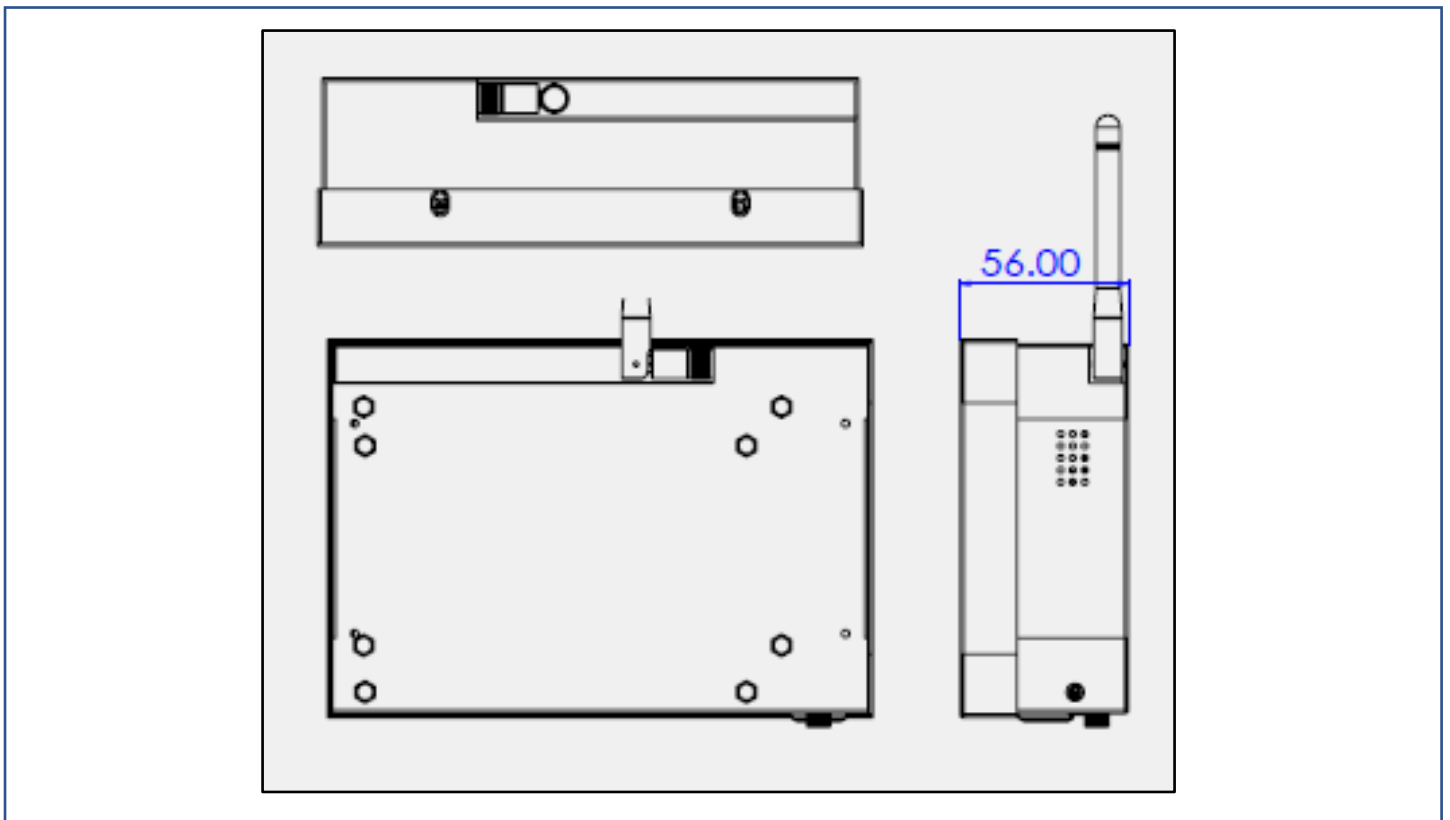
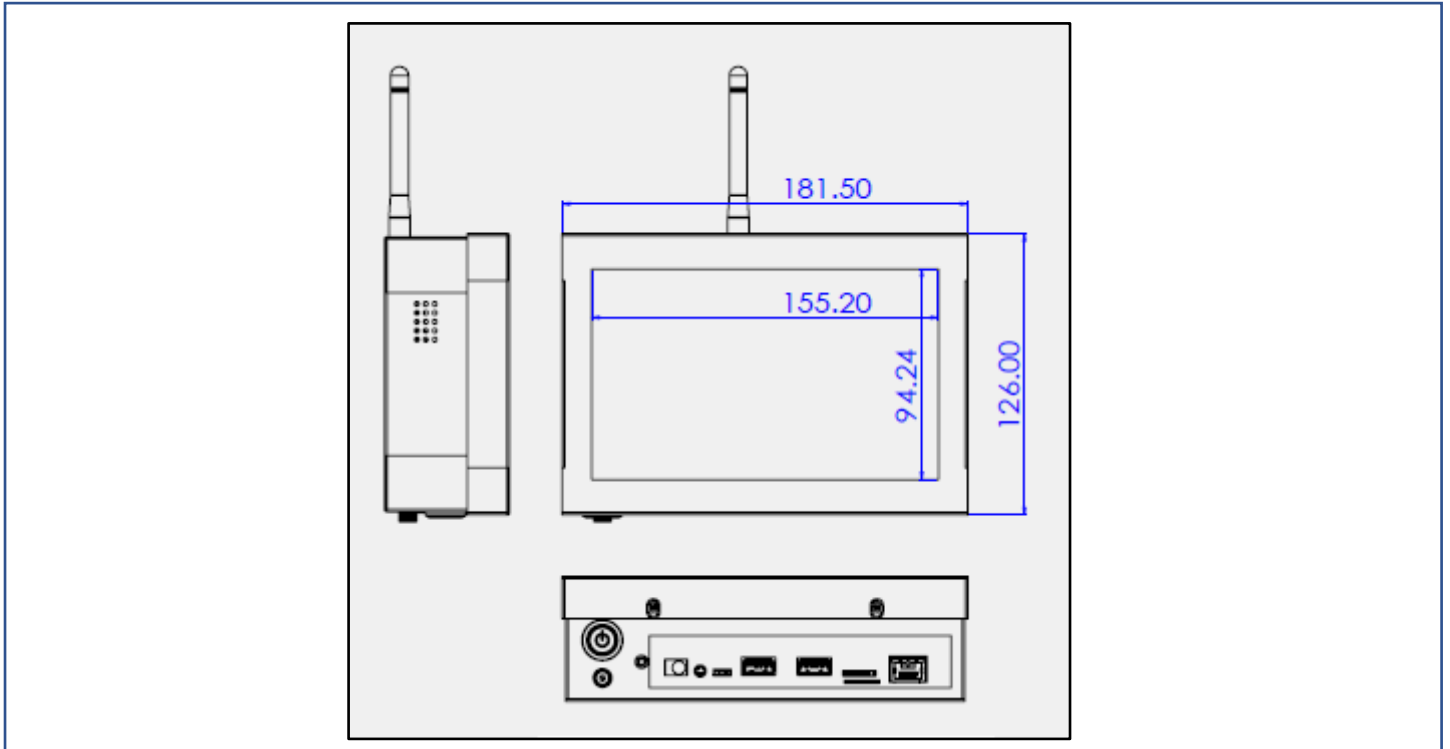
## Input /Output System



Input / Output	Connectors	Input / Output	Connectors
DC Power Input	1	Audio Output /Mic Input (3.5mm)	1
USB 2.0	1	LAN (RJ45)	1
USB 3.0	1	Wi-Fi & Antenna	1
MicroSD Card Slot	1	Speakers	1W x2

## Physical Specifications

Dimensions (Max.)	233.5x155.4x41(±2)mm	Net Weight	≤1.2 kg
VESA Mount	75x75 mm	Gross Weight	≤2.4 kg



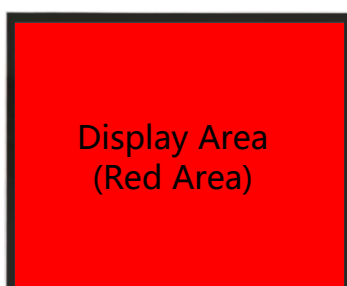
## Cosmetic Inspection Criteria

Display Area Defect Criteria			
Defect Description	Defect Criteria	Acceptance	Remarks
Dot Defects (dark dot, particles, bubbles, pits, dust, and foreign matter)	$D \leq 0.2\text{mm}$	Ignored	D=Diameter
	$0.2 < D \leq 0.7\text{mm}$	$N \leq 5$	N=Quantity
	$0.7 < D \leq 1\text{mm}$	$N \leq 3$	
	$D > 1\text{mm}$	$N \leq 0$	
Linear Defect (scratches, fluff, particles)	$W \leq 0.15\text{mm}$	Ignored	W=Width
	$0.15 < W \leq 0.5\text{mm}, L \leq 15\text{mm}$	$N \leq 2$	L=Length
	$W > 0.5\text{mm}$ or $L > 15\text{mm}$	NG	

\* Visual inspection condition: 60 cm viewing distance, 90° viewing angle (front/side/back).

Front Appearance Defect Criteria (Including Coating)			
Defect Description	Defect Criteria	Acceptance	Remarks
Dot Defects (dark dot, particles, bubbles, pits, dust, and foreign matter)	$D \leq 0.7\text{mm}$	Ignored	D=Diameter
	$0.7 < D \leq 1.5\text{mm}$	$N \leq 3$	N=Quantity
	$D > 1.5\text{mm}$	$N \leq 0$	
Linear Defect (scratches, fluff, particles)	$W \leq 0.2\text{mm}, L \leq 15\text{mm}$	Ignored	W=Width, L=Length
	$0.2 < W \leq 0.7\text{mm}, L \leq 15\text{mm}$	$N \leq 1$	
	$W > 0.7\text{mm}$ or $L > 15\text{mm}$	NG	

Side / Back Appearance Defect Criteria (Including Coating)			
Defect Description	Defect Criteria	Acceptance	Remarks
Dot Defects (dark dot, particles, bubbles, pits, dust, and foreign matter)	$D \leq 1.5\text{mm}$	Ignored	D=Diameter
	$1.5 < D \leq 3\text{mm}$	$N \leq 8$	N=Quantity
	$D > 3\text{mm}$	$N \leq 2$	
Linear Defect (including scratches, fluff, particles)	$W \leq 0.8\text{mm}, L \leq 15\text{mm}$	Ignored	W=Width, L=Length
	$0.8 < W \leq 1.5\text{mm}, L \leq 15\text{mm}$	$N \leq 5$	
	$W > 1.5\text{mm}$ or $L > 15\text{mm}$	NG	



Display Area  
(Red Area)



Front Appearance (Red Area)



Back Appearance