

# Product Specifications

Customer	
Model	<b>NTAP070-1-S8 V600</b>
Model No.	<b>NTAP070<u>XXXXX</u>-S8R88FC-<u>XX</u>02-600</b>

\* X = A-Z, 0-9 (Varies by options)



Records of Revision			
Vision	Vision	Vision	Vision
v2606.1	Initial release		

## Key Features

- ★ 7 inch Industrial LCD Panel, 800x480 Resolution
- ★ Wide viewing angle 178°/178°
- ★ Wide-temperature LCD panel, operating temperature -30-85°C
- ★ Rockchip RK3588, 4\*Cortex-A76 + 4\*Cortex-A55
- ★ On Board DDR4 8G Memory
- ★ On Board 64 Flash ROM
- ★ Android 14
- ★ PCAP touch screen
- ★ 7H Hardness tempered cover glass
- ★ 10-point multi-touch , supports Nextech stylus
- ★ Metal housing with multiple mounting options
- ★ Made in Taiwan, 3-year warranty, designed for harsh environments
- ★ Optional high brightness up to 1500nits for outdoor applications
- ★ Optional Privacy filter or antimicrobial surface treatment



PSE



BSMI



RoHS



CE



ISO9001



FCC



Desktop Stand



Wall Mounting



Open-frame Bracket



Panel Mount

## System Specifications

CPU	Rock Chip ARM RK3588, 4*Cortex-A76 + 4*Cortex-A55
Memory	DDR4 8G
Storage	64G Flash ROM
Sound Chip	ES8336 Audio HDA codec
Physical Network	1. Realtek RTL8211F GbE Ethernet Controller Realtek RTL8211H GbE Ethernet Controller
Wireless Network	2.4GHz/5GHz WIFI+ Bluetooth 5.3
OS	Android 14

## Display Specifications

Screen Diagonal	117.8 mm (7.0 inch)	Display Mode	Normally Black
Active Area	152.4x91.44 mm	Backlight Unit	White LED
Resolution	800x480	Viewing Angle (L/R, U/D)	178°/178° (CR≥10)
Contrast Ratio	800:1	Backlight Lifetime	>50,000 Hours
Colors	16.7M Colors	Operating Temp.	-30~85°C
Pixel Pitch	0.1905x0.1905 mm	Storage Temp.	-40~90°C
Response Time	25 msec.		

## Brightness Options

Configuration	Brightness	Application	Ordering Information
Standard	500nits	General (Indoor)	NTAP070 <b>NXSXX</b> -S8R88FC-XX02-600
Optional	1000nits	Outdoor / Semi-outdoor	NTAP070 <b>HX2XX</b> -S8R88FC-XX02-600 *
Optional	1500nits	Outdoor	NTAP070 <b>HX2XX</b> -S8R88FC-XX02-600 *

\* Refer to datasheets: NTAP070-2, NTAP070-3

## Touch Options

Configuration	Specification	Ordering Information
<b>Standard</b>	<b>Projected Capacitive Touch</b>	<b>NTAP070X<b>P</b>XXX-S8R88FC-XX02-600</b>
Optional	No touch	NTAP070X <b>0</b> XXX-S8R88FC-XX02-600

### PCAP Touch Specifications

Allowed Touch Points	10 points	Thickness of Cover Lens	2.0±0.2mm
Transparency	≥87%	Hardness of Cover Lens	7H
Accuracy	99.00%	IK Ratings	IK07

## Surface Treatment Options

Configuration	Specification	Ordering Information
<b>Standard</b>	<b>Glare Type</b>	<b>NTAP070XXX<b>00</b>-S8R88FC-XX02-600</b>
Optional	Anti-Glare & UV-resistant Coating	NTAP070XXX <b>GG</b> -S8R88FC-XX02-600
Optional	Antibacterial (AB Film)	NTAP070XXX <b>AB</b> -S8R88FC-XX02-600
Optional	Privacy filter (AS Film)	NTAP070XXX <b>SF</b> -S8R88FC-XX02-600

## Housing Options

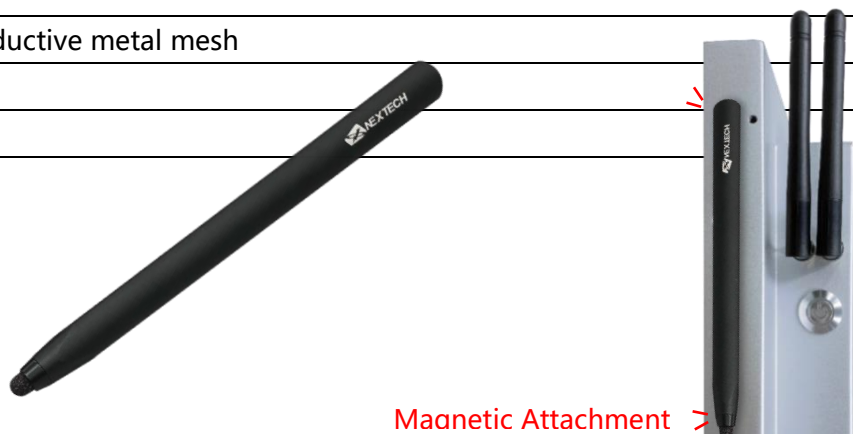
Housing Material		
Configuration	Specification	Ordering Information
Standard	SECC	NTAP070XXXXX-S8R88FC- <b>S</b> X02-600
Optional	Stainless Steel	NTAP070XXXXX-S8R88FC- <b>L</b> X02-600
Optional	Aluminum	NTAP070XXXXX-S8R88FC- <b>A</b> X02-600

Housing Color		
Configuration	Specification	Ordering Information
Standard	Silver	NTAP070XXXXX-S8R88FC- <b>X</b> S02-600
Optional	White	NTAP070XXXXX-S8R88FC- <b>X</b> W02-600
Optional	Black	NTAP070XXXXX-S8R88FC- <b>X</b> B02-600
Optional	Custom Color	NTAP070XXXXX-S8R88FC- <b>X</b> X02-600

\* **X** = A~Z, 0~9 (Varies by Color)

## Nextech Stylus Option

Tip	Passive conductive metal mesh
Tip Diameter	6mm
Magnetic Attachment	Yes



Magnetic Attachment >

## Optional Mounting Accessories

	Accessories	Description
Optional	Desktop stand	For desktop use
Optional	Panel mount kit	For front mounting into kiosks, cabinets, or equipment panels.
Optional	Open-frame brackets	For rear mounting installation inside kiosks, cabinets, or equipment panels.
Optional	Wall Mount Bracket	For wall mounting

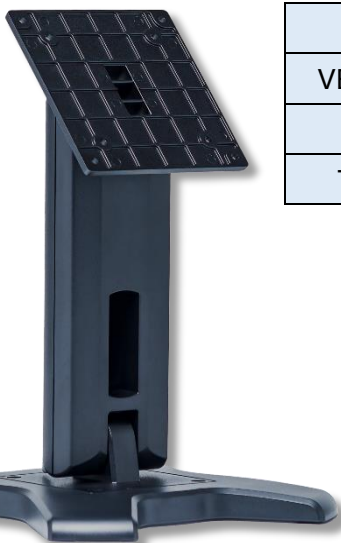
### Desktop Stand Type L (Optional)



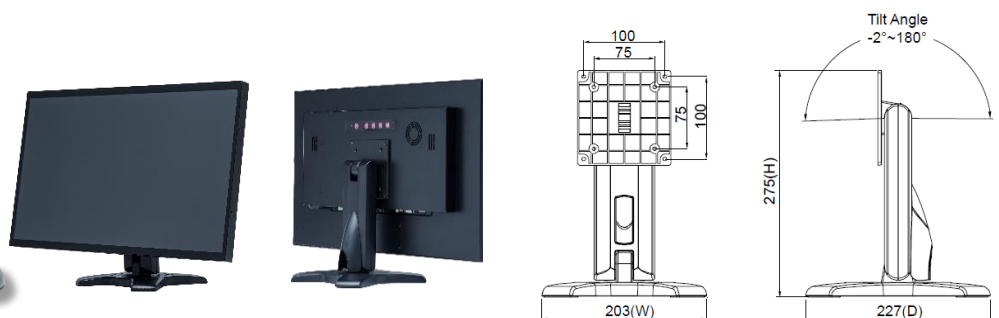
Item	L Stand	Model	DST-0B004/DST-1B004
VESA Mount	100x100 / 75x75 mm	Dimensions	194x194x222 mm
Material	SECC	Net Weight	1.4 kg
Tilt Angle	105°	Load Capacity	15 kg



### Desktop Stand Type B (Optional)



Item	B Stand	Model	DST-0B002/DST-1B002
VESA Mount	100x100 / 75x75 mm	Dimensions	203x275x227 mm
Material	Steel/Plastic/Aluminum	Net Weight	1.8 kg
Tilt Angle	-2° ~+180°	Load Capacity	15 kg



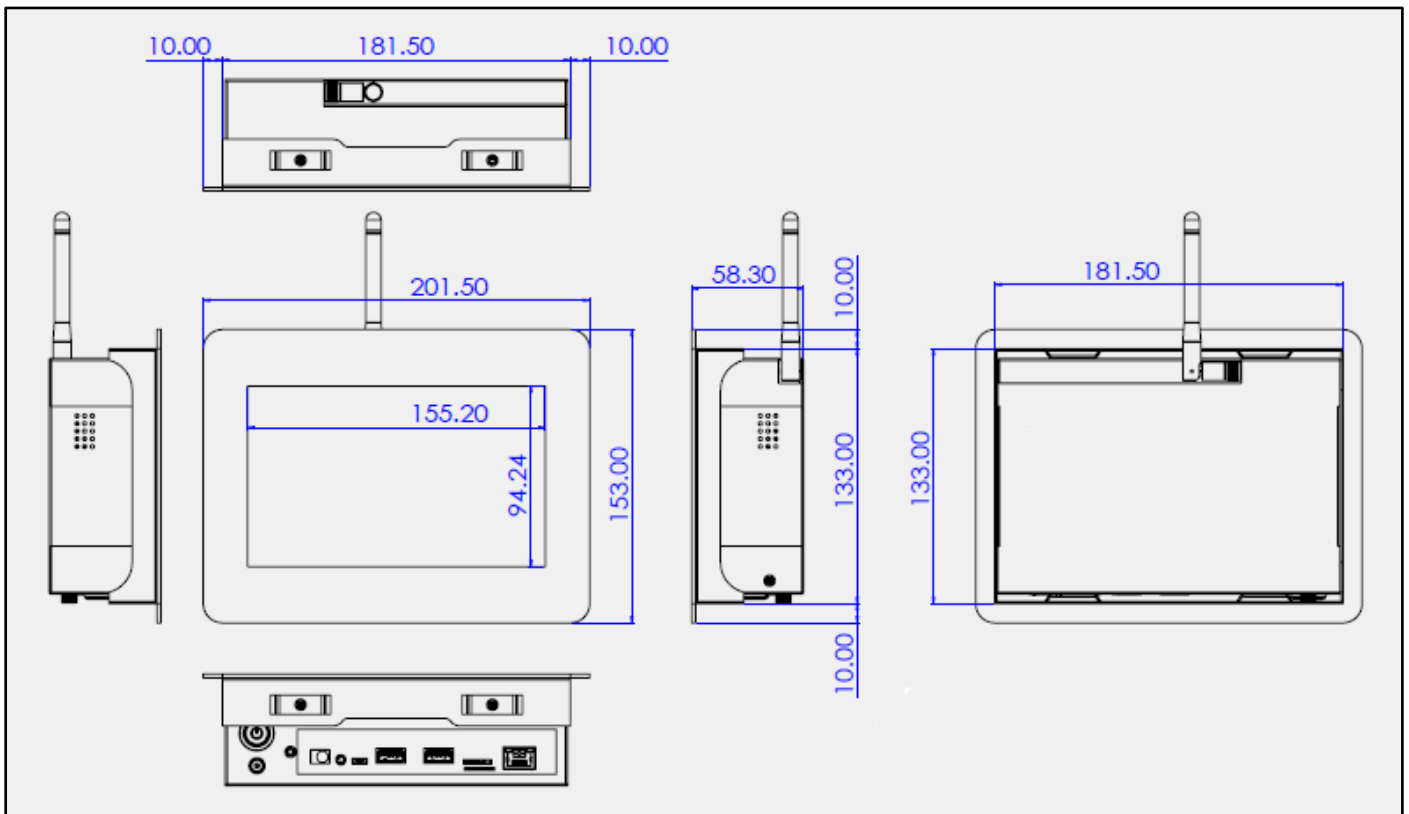
# Nextech AP Series 7" Android All-in-one Industrial Touch PC

**NTAP070-1-S8 V600**

## Panel Mount Kits (Option)



## Panel Mount Installation Dimensions

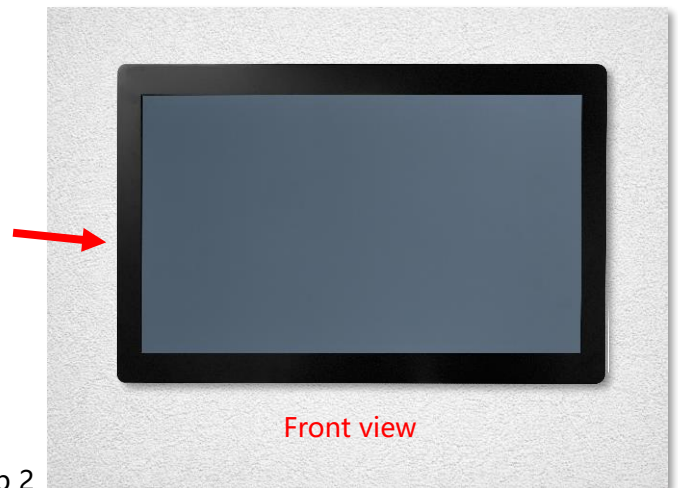
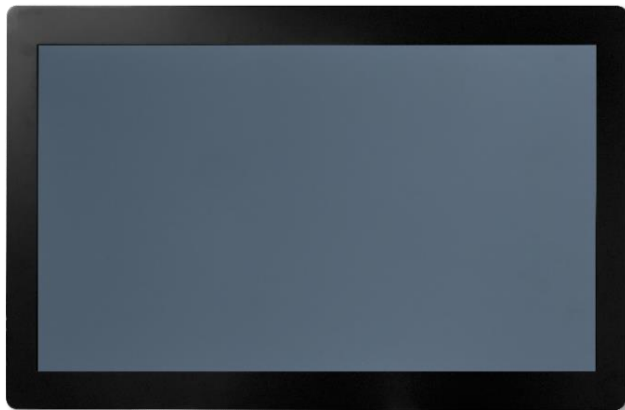
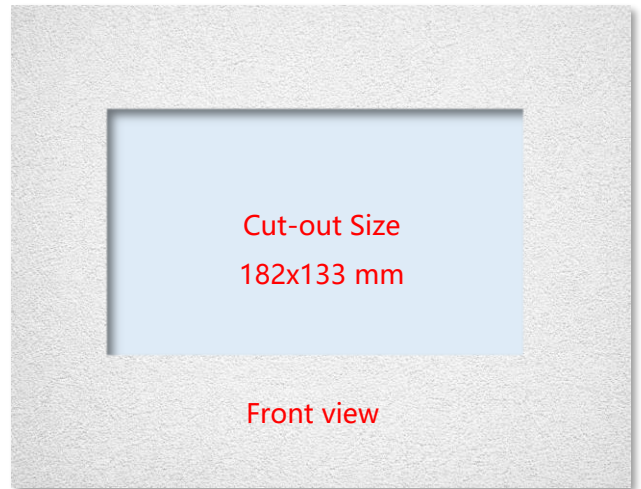


# Nextech AP Series 7" Android All-in-one Industrial Touch PC

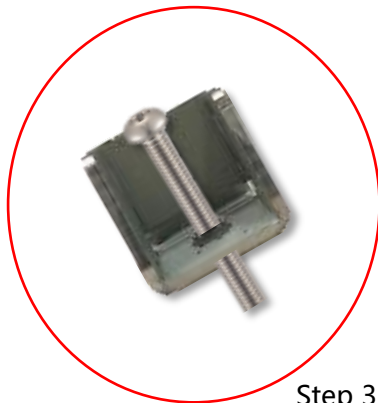
**NTAP070-1-S8 V600**



**Step 1**  
Assemble the front module with the display unit.  
(This step is pre-assembled at Nextech's factory.)

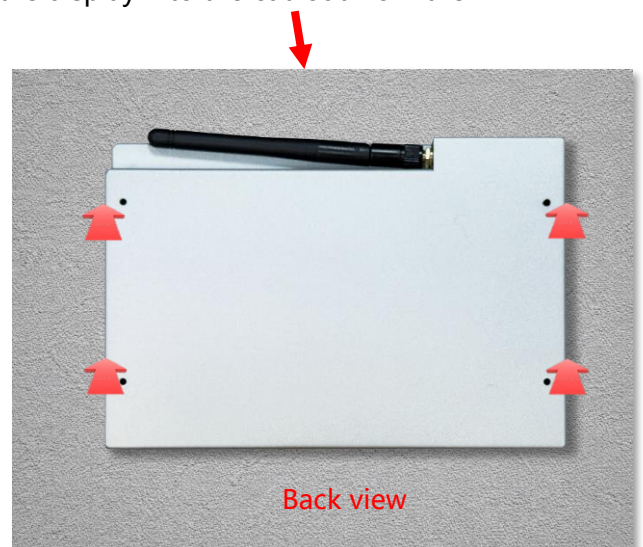


**Step 2**  
Insert the display into the cut-out from the front.



**Step 3**

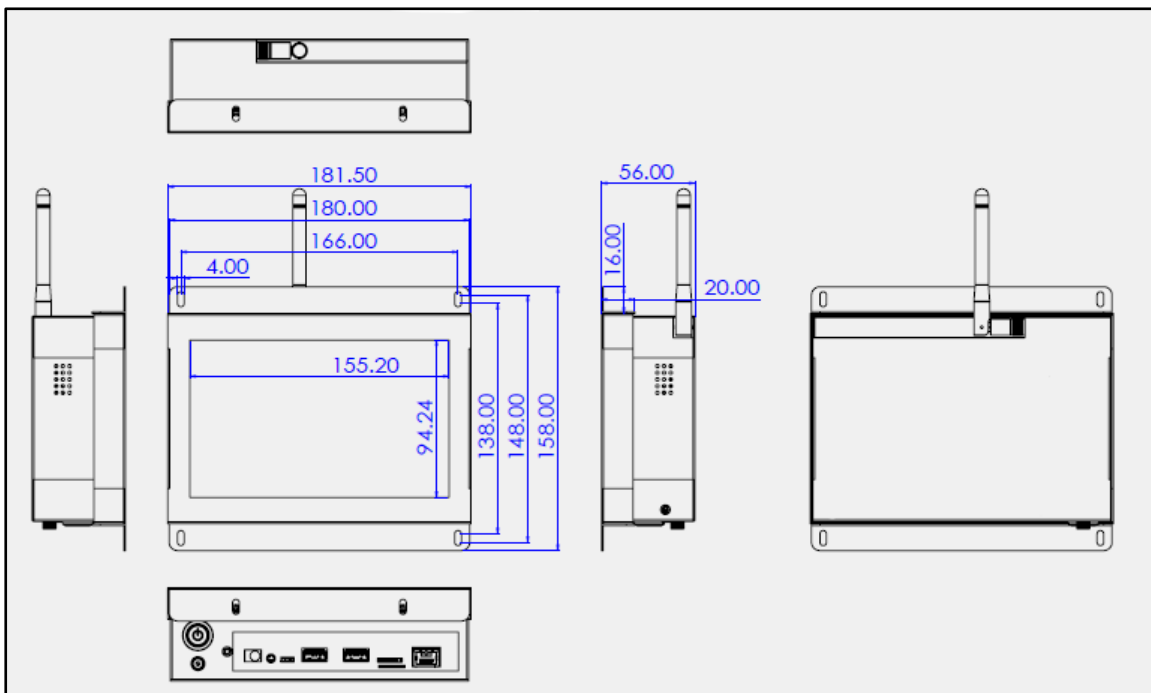
Install the mounting clips from the rear side and secure them with screws.



Open-frame Brackets (Optional)



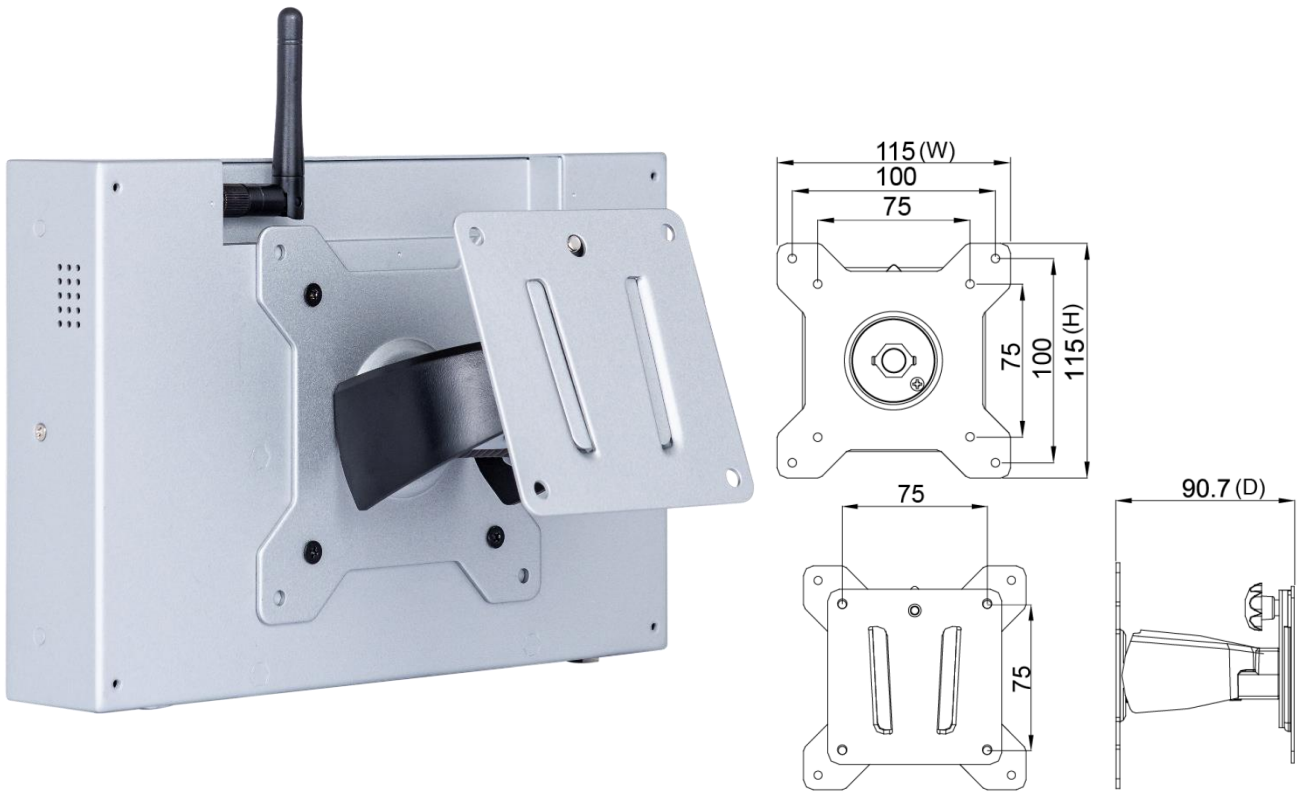
Open-frame Bracket Installation Dimensions



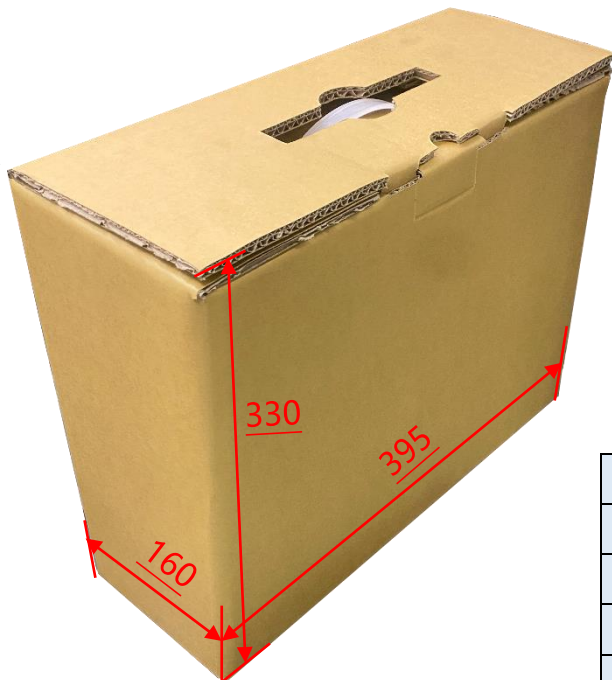
# Nextech AP Series 7" Android All-in-one Industrial Touch PC

**NTAP070-1-S8 V600**

## Wall Mount Bracket (Optional)

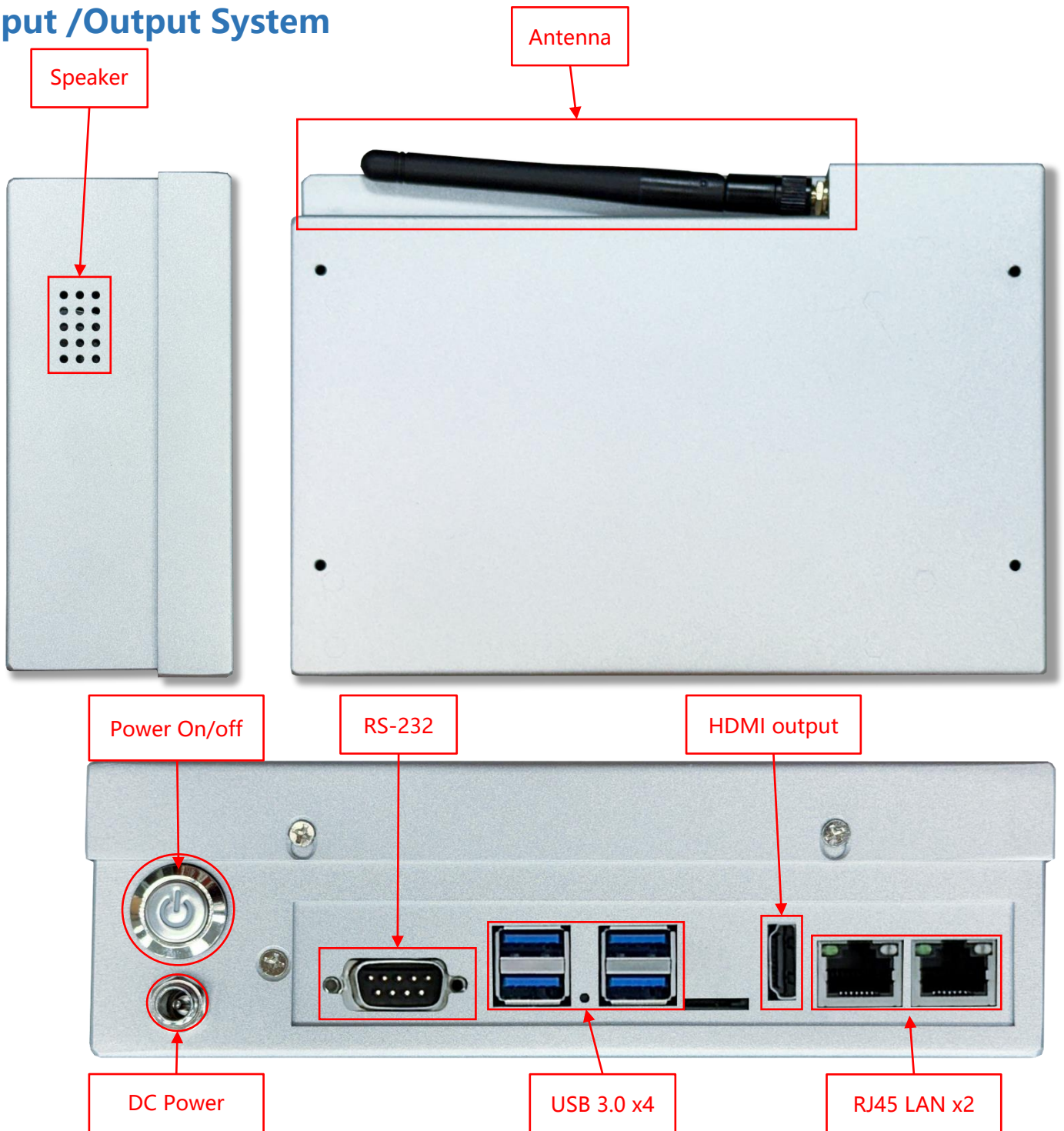


## Packing Information



Carton Dimensions	395x160x330 mm
Net Weight	≤1.2 kg
Gross Weight	≤2.4 kg
Units per Pallet	72 units
Pallet Size	120x100x142 cm

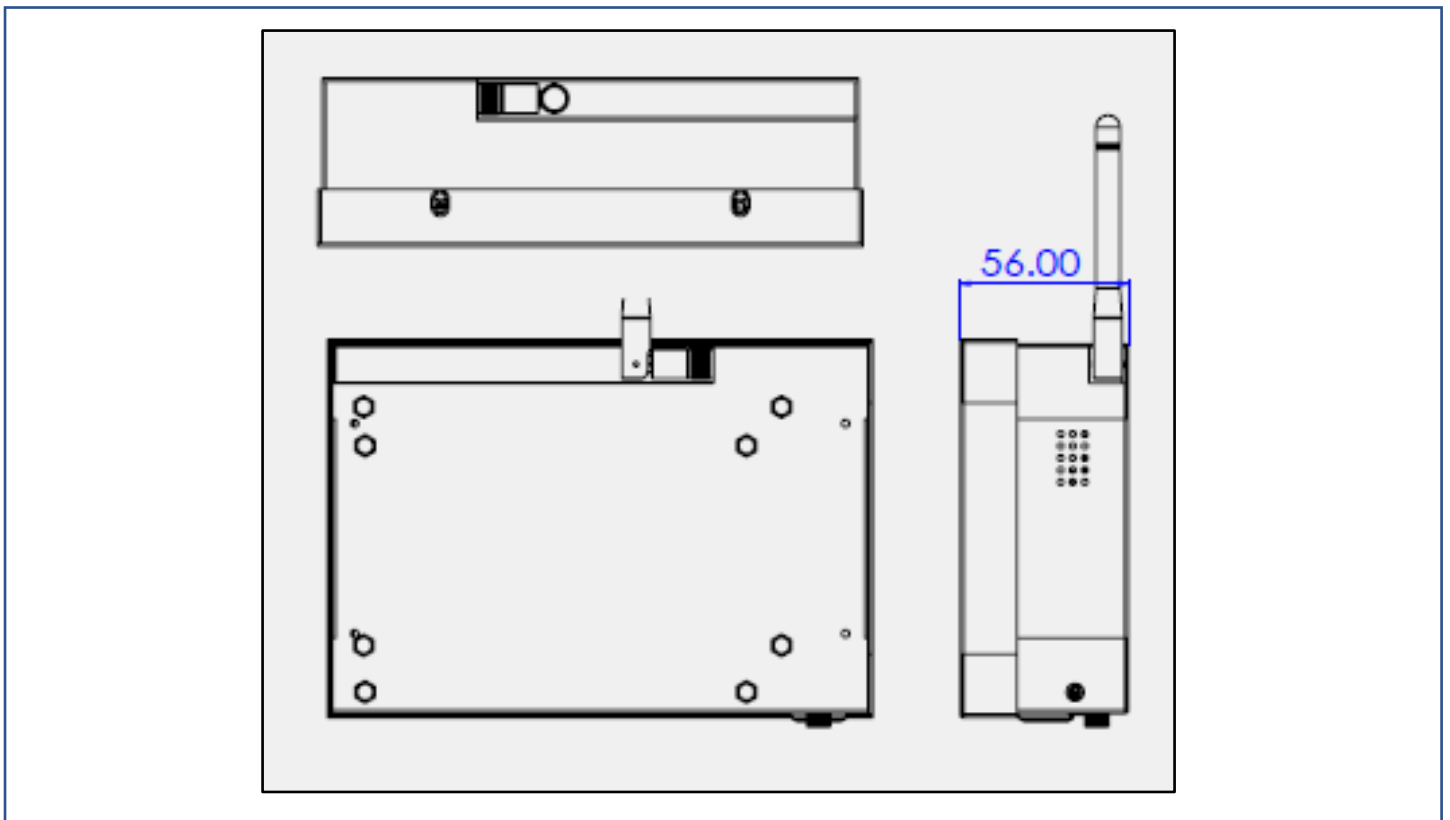
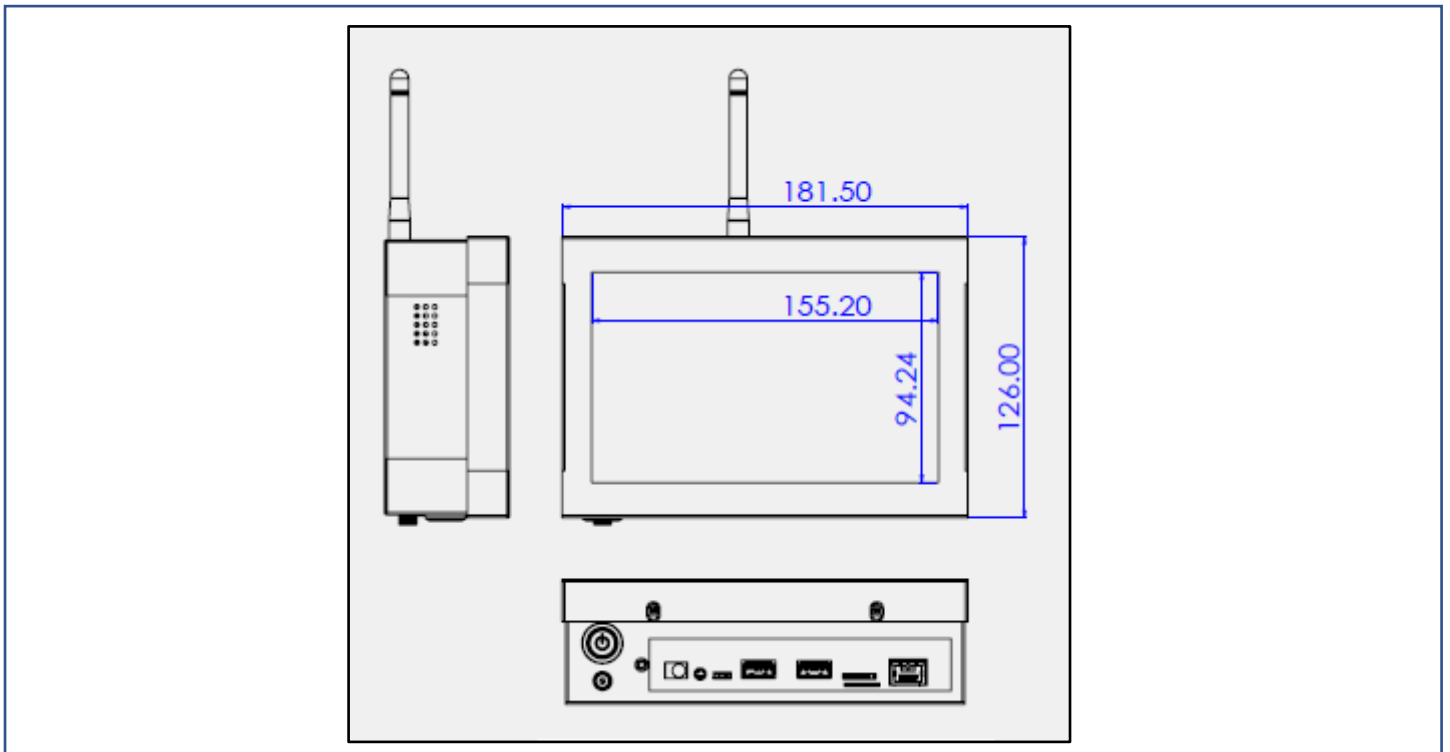
## Input /Output System



Input / Output	Connectors	Input / Output	Connectors
DC Power Input	1	LAN (RJ45)	2
USB 3.0	4	Wi-Fi & Antenna	1
RS-232	1	Speakers	1W x2
HDMI output	1		

## Physical Specifications

Dimensions (Max.)	233.5x155.4x41(±2)mm	Net Weight	≤1.2 kg
VESA Mount	75x75 mm	Gross Weight	≤2.4 kg



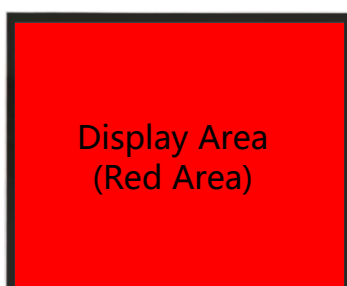
## Cosmetic Inspection Criteria

Display Area Defect Criteria			
Defect Description	Defect Criteria	Acceptance	Remarks
Dot Defects (dark dot, particles, bubbles, pits, dust, and foreign matter)	$D \leq 0.2\text{mm}$	Ignored	D=Diameter
	$0.2 < D \leq 0.7\text{mm}$	$N \leq 5$	N=Quantity
	$0.7 < D \leq 1\text{mm}$	$N \leq 3$	
	$D > 1\text{mm}$	$N \leq 0$	
Linear Defect (scratches, fluff, particles)	$W \leq 0.15\text{mm}$	Ignored	W=Width
	$0.15 < W \leq 0.5\text{mm}, L \leq 15\text{mm}$	$N \leq 2$	L=Length
	$W > 0.5\text{mm}$ or $L > 15\text{mm}$	NG	

\* Visual inspection condition: 60 cm viewing distance, 90° viewing angle (front/side/back).

Front Appearance Defect Criteria (Including Coating)			
Defect Description	Defect Criteria	Acceptance	Remarks
Dot Defects (dark dot, particles, bubbles, pits, dust, and foreign matter)	$D \leq 0.7\text{mm}$	Ignored	D=Diameter
	$0.7 < D \leq 1.5\text{mm}$	$N \leq 3$	N=Quantity
	$D > 1.5\text{mm}$	$N \leq 0$	
Linear Defect (scratches, fluff, particles)	$W \leq 0.2\text{mm}, L \leq 15\text{mm}$	Ignored	W=Width, L=Length
	$0.2 < W \leq 0.7\text{mm}, L \leq 15\text{mm}$	$N \leq 1$	
	$W > 0.7\text{mm}$ or $L > 15\text{mm}$	NG	

Side / Back Appearance Defect Criteria (Including Coating)			
Defect Description	Defect Criteria	Acceptance	Remarks
Dot Defects (dark dot, particles, bubbles, pits, dust, and foreign matter)	$D \leq 1.5\text{mm}$	Ignored	D=Diameter
	$1.5 < D \leq 3\text{mm}$	$N \leq 8$	N=Quantity
	$D > 3\text{mm}$	$N \leq 2$	
Linear Defect (including scratches, fluff, particles)	$W \leq 0.8\text{mm}, L \leq 15\text{mm}$	Ignored	W=Width, L=Length
	$0.8 < W \leq 1.5\text{mm}, L \leq 15\text{mm}$	$N \leq 5$	
	$W > 1.5\text{mm}$ or $L > 15\text{mm}$	NG	



Display Area  
(Red Area)



Front Appearance (Red Area)



Back Appearance